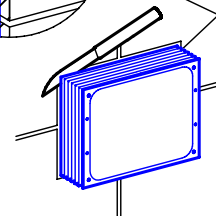
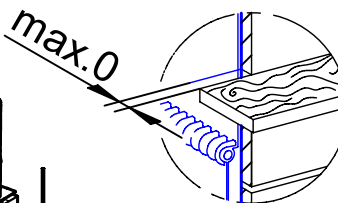
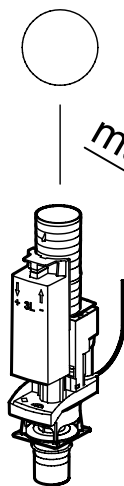
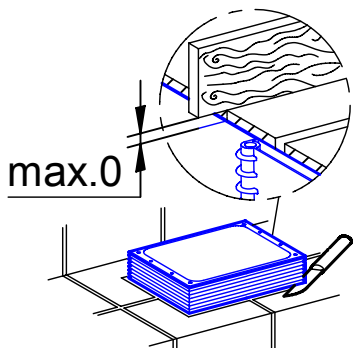
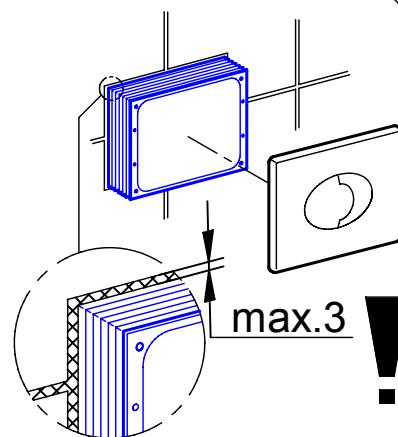
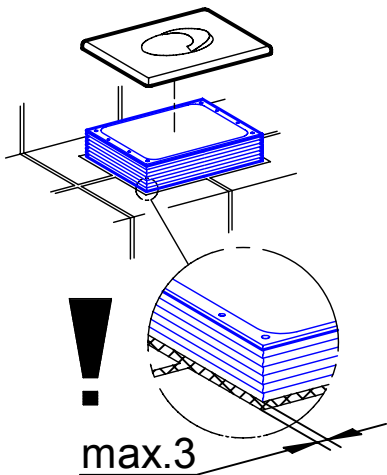


GROHE
ENJOY WATER®



93.123.031/ÄM 208059/01.07