

LACUCINA **ALESSI**

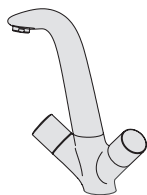
by



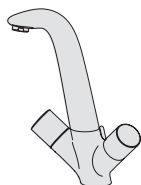
Installation Guide

LA CUCINA ALESSI

Water Is Worth Loving.



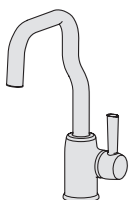
8520, 8520F..... 4



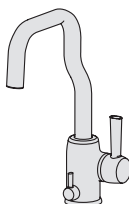
8525, 8525F..... 5



8527, 8528 7



8530, 8530F..... 13



8535, 8535F..... 14

8520

EN 200

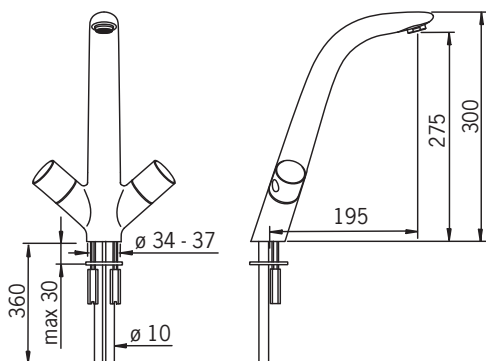
II (ISO 3822)

100 - 1000 kPa

0.25 l/s (300 kPa)

190 kPa (0.2 l/s)

max. +80°C



VA 1.42/18490

8520F

EN 200

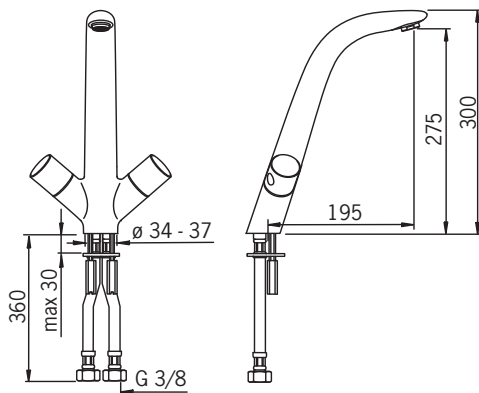
II (ISO 3822)

100 - 1000 kPa

0.23 l/s (300 kPa)

230 kPa (0.2 l/s)

max. +80°C



8525

EN 200

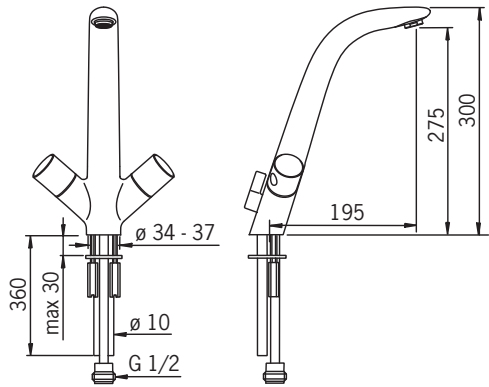
II (ISO 3822)

100 - 1000 kPa

0.25 l/s (300 kPa)

190 kPa (0.2 l/s)

max. +80°C



VA 1.42/18490

8525F

EN 200

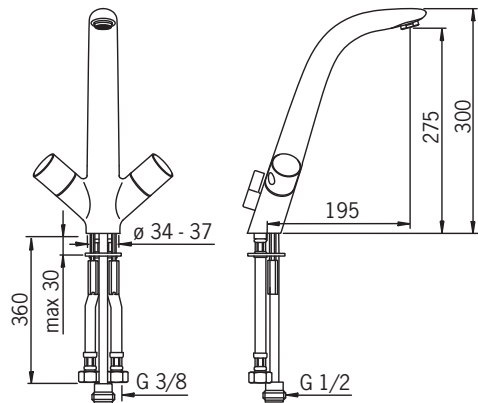
II (ISO 3822)

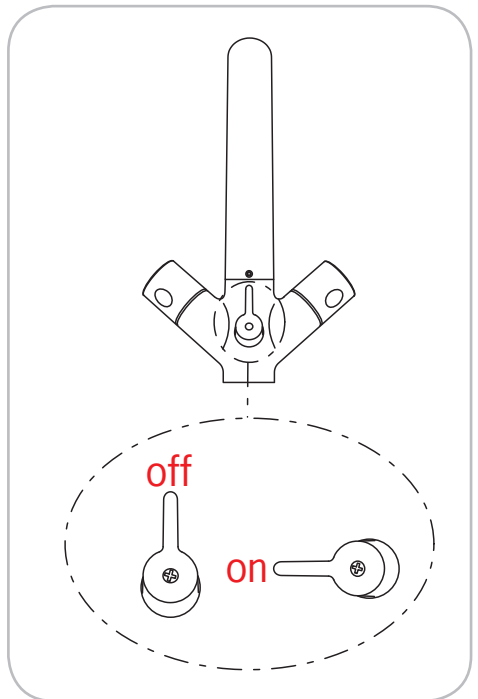
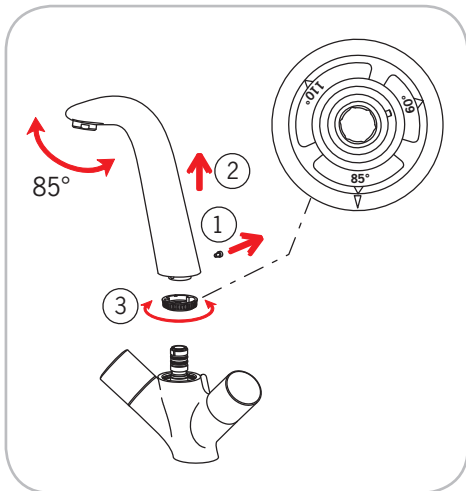
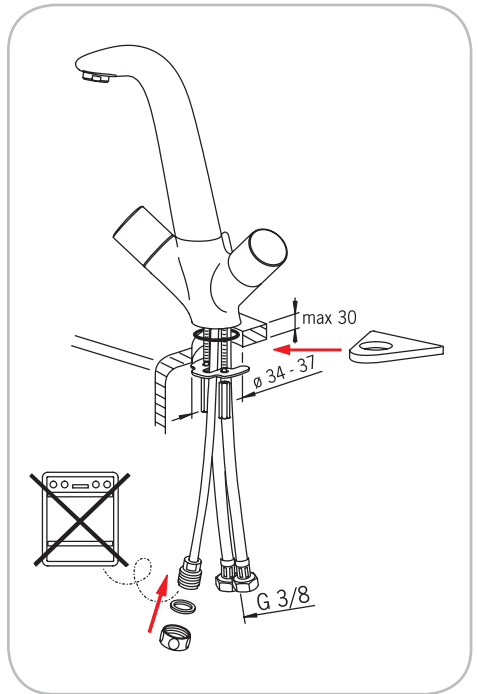
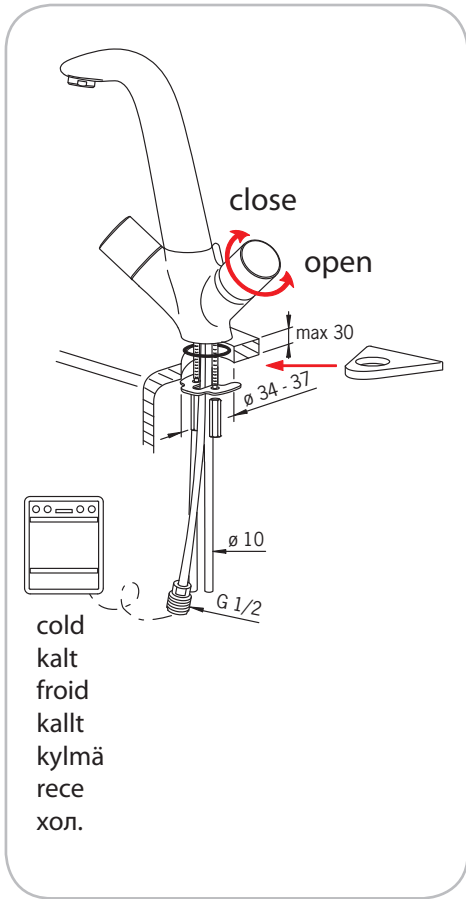
100 - 1000 kPa

0.23 l/s (300 kPa)

230 kPa (0.2 l/s)

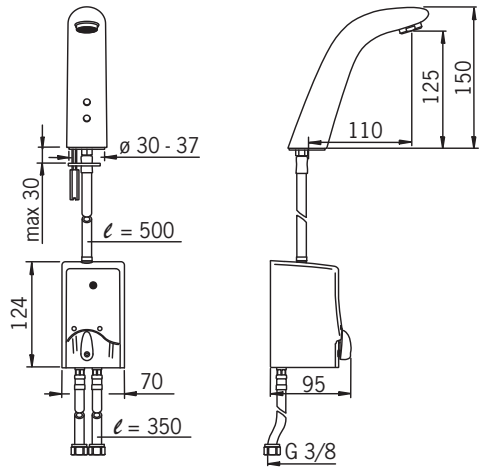
max. +80°C





8527

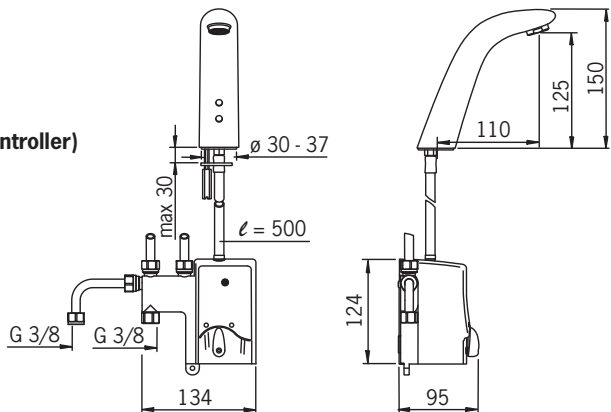
EN 15091
II (ISO 3822)
100 - 1000 kPa
0.1 l/s (300 kPa, with flow controller)
200 kPa (0.1 l/s)
max. +70°C



VA 1.42/18331

8528

EN 15091
II (ISO 3822)
100 - 1000 kPa
0.1 l/s (300 kPa, with flow controller)
200 kPa (0.1 l/s)
max. +70°C

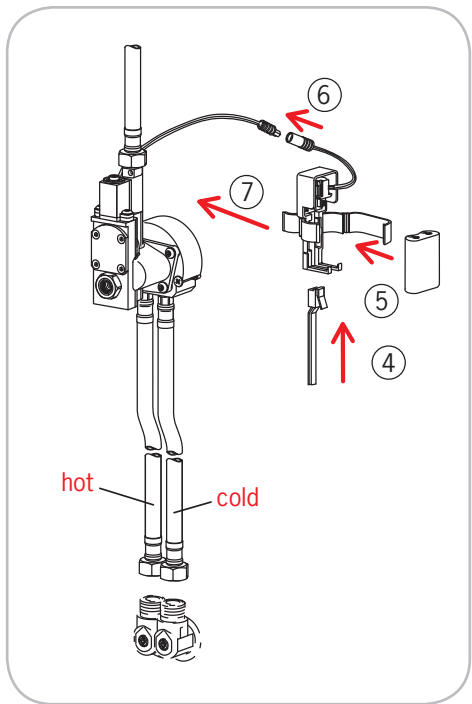
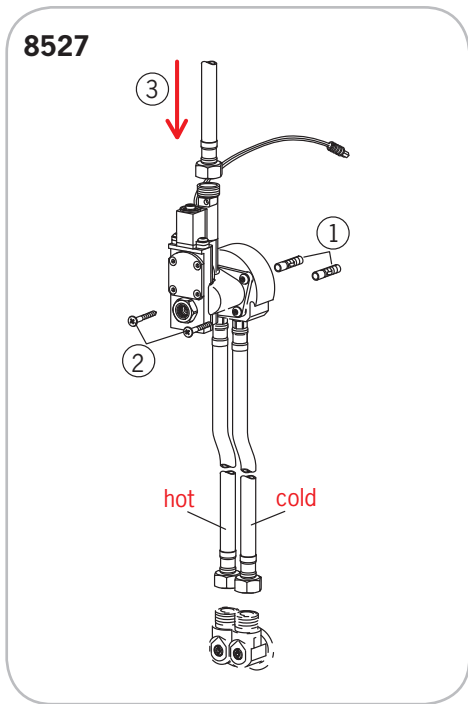
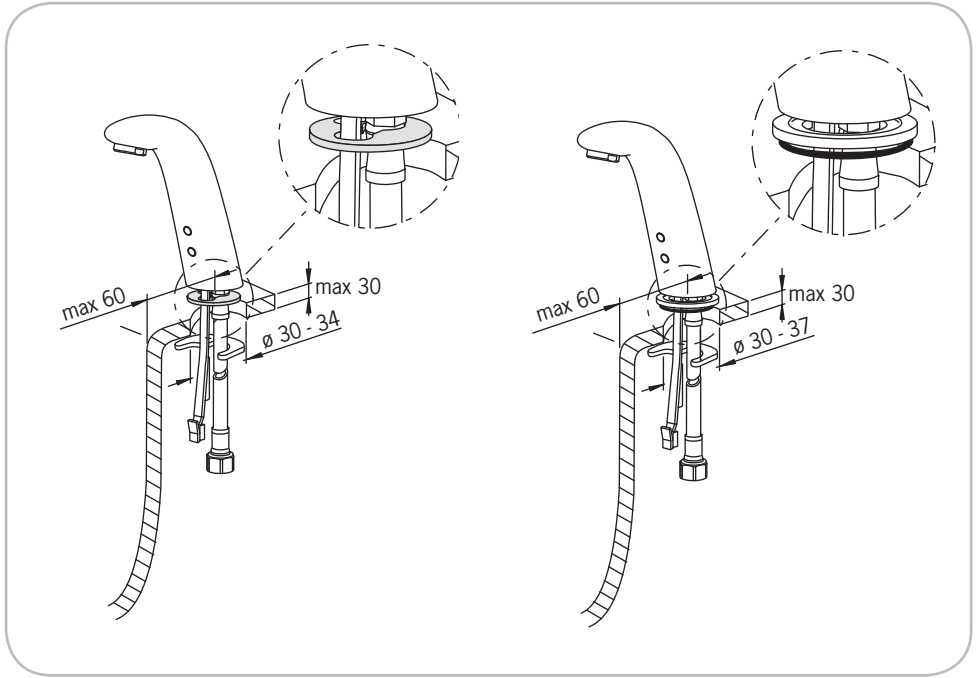


VA 1.42/18331

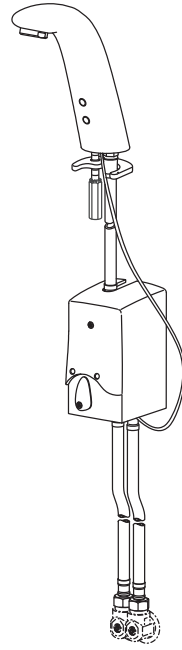
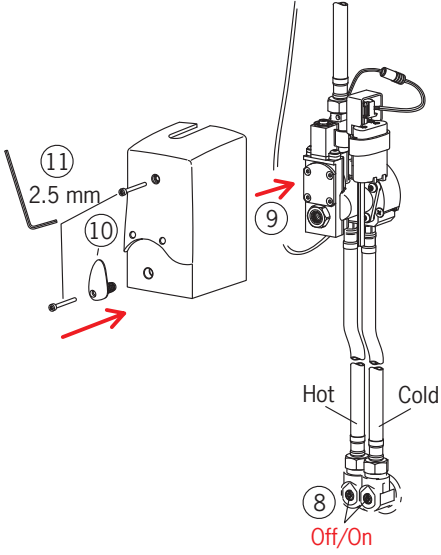
• 8528 • 8527 •

• **Technische Daten • Technical data • Datos técnicos • Tehnilised andmed • Tekniset tiedot**
 • **Technische gegevens • Données techniques • Dati tecnici • Tehniskie dati • Techniniai duomenys • Teknisk data**
 • **Dane techniczne • Технические данные • Tekniska data • Technické údaje • Technická data •**

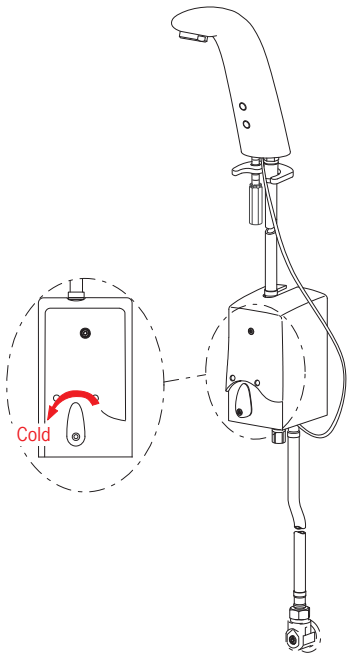
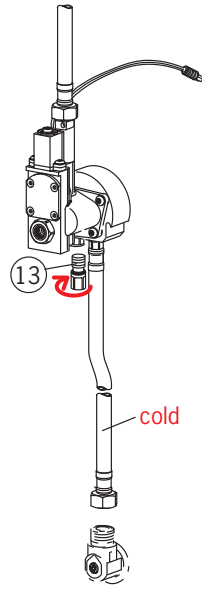
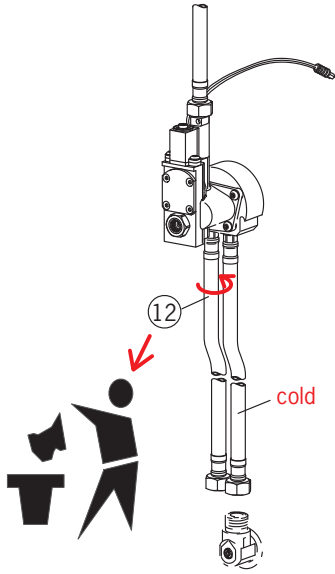
<p>(DE) Sicherheitsklasse Protection class (GB) Beskyttelsesklasse (ES) Grado de protección (EE) Kaitseklass (FI) Suojaluokka (NL) Veiligheidsklasse (FR) Norme de sécurité (IT) Protezione classe (LV) Aizsardzības klase (LT) Saugumo klasė (NO) Tettthetsklasse (PL) Klasa bezpieczeństwa (RU) Степень защиты</p>	<p>Max. fließdauer Max. flow period Max. lobetid Periodo máximo de flujo Maksimaalne vee vooluaaja pikkus Max. virtusaika Max. looptijd Durée maximum d'écoulement Scorrimento mass. Maksimālais plūsmas periods Maksimāli srovės tekėjimo trukmė Funktionsstid Max czas przerywu Мак. время подачи воды</p>	<p>Druckverlust Pressure loss Trykktab Caída de presión Rõhukadu Painehäviö Drukverlies Perte de charge Perdita di pressione Spiediena zudumi Spraudimo pragadimas Trykkfall Spradek ciśnienia Потеря давления</p>	<p>Batterie Battery Batteri Bateria Patareid Parieto Batterij Piles Batterie Baterija Baterija Batteri Bateria Батарея</p>	<p>Intelligente Nachlaufzeit Intelligent afterflow period Intelligent efterløbetid Tiempo caudal posterior Optimaalne järelvooluaaja pikkus Älykäs jälkivirtaama-ajka Intelligente nalooptijd Temporisation de débit intelligente Tempo di scorrimento a posteriori Skalošanas periods Tekėjimo trukmė po prausimosi Intelligent etterrenningstid Intelligente ořóźnienie zamknięcia Продолжительность окончат. смыва (автоматическая настройка) Intelligent efterfødestid Intelligentá doba po prietoku Čas dodatečného prútohu</p>
<p>(SE) Kapslingsklass (SK) Trieda bezpečnosti (CZ) Třída bezpečnosti</p>	<p>Max. flödestid Max. doba prietoku Max. doba průtohu</p>	<p>Tryckfall Tlaková strata Tlaková ztráta</p>	<p>Batteri Monočlánok Monočlánek</p>	<p>Intelligent afterflow period Intelligent efterløbetid Tiempo caudal posterior Optimaalne järelvooluaaja pikkus Älykäs jälkivirtaama-ajka Intelligente nalooptijd Temporisation de débit intelligente Tempo di scorrimento a posteriori Skalošanas periods Tekėjimo trukmė po prausimosi Intelligent etterrenningstid Intelligente ořóźnienie zamknięcia Продолжительность окончат. смыва (автоматическая настройка) Intelligent efterfødestid Intelligentá doba po prietoku Čas dodatečného prútohu</p>
<p>IP 45</p>	<p>2 min</p>	<p>8528 /8527 200 kPa (0.1 l/s)</p>	<p>Lithium 2CR5 6V</p>	<p>3 s ± 2 s</p>



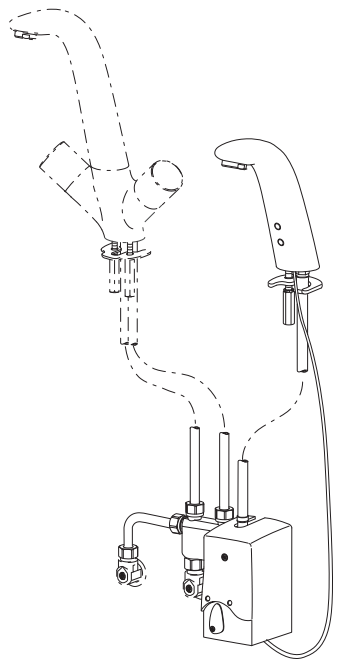
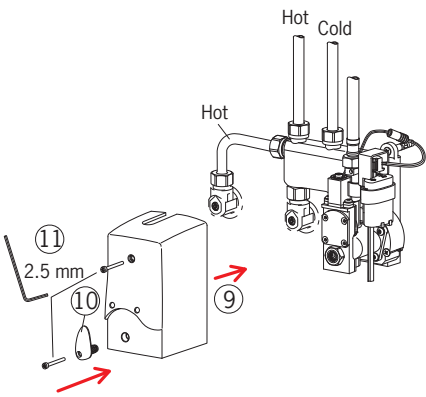
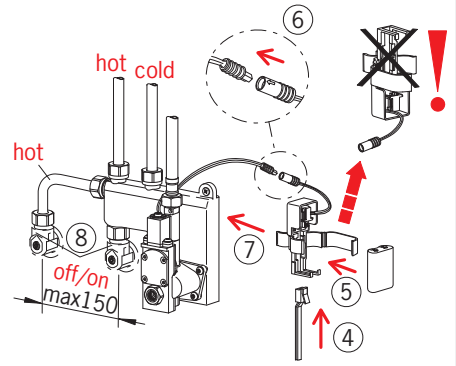
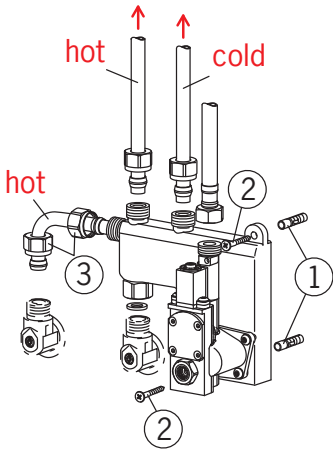
8527



8527/cold



8528



8530

EN 817

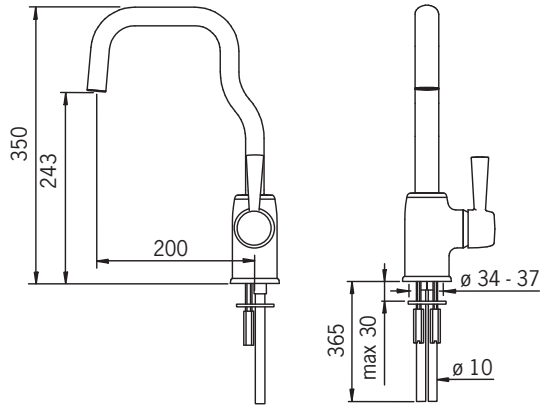
I (ISO 3822)

50 - 1000 kPa

0.23 l/s (300 kPa)

215 kPa (0.2 l/s)

max. +80°C



VTT-RTH-10572-07
VA 1.42/16830

8530F

EN 817

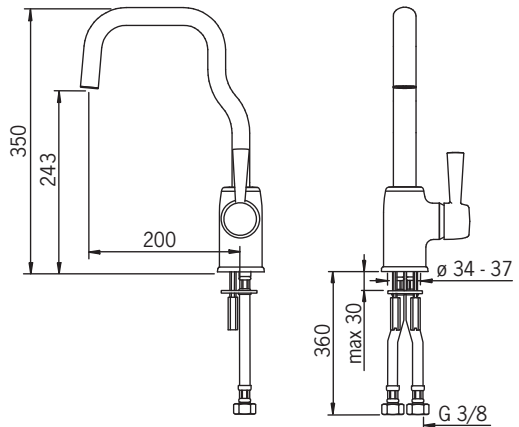
II (ISO 3822) Oras lab.

50 - 1000 kPa

0.216 l/s (300 kPa)

260 kPa (0.2 l/s)

max. +80°C



8535

EN 817

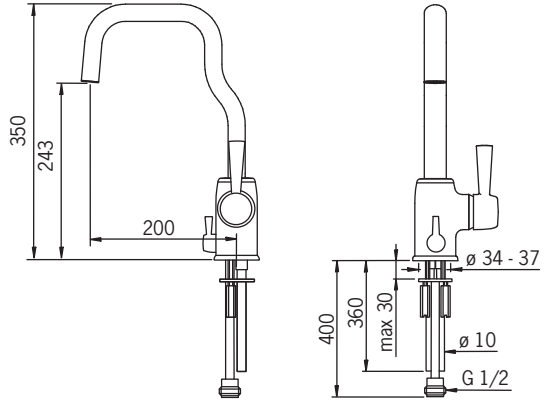
I (ISO 3822)

50 - 1000 kPa

0.23 l/s (300 kPa)

215 kPa (0.2 l/s)

max. +80°C



VTT-RTH-10572-07
VA 1.42/16830

8535F

EN 817

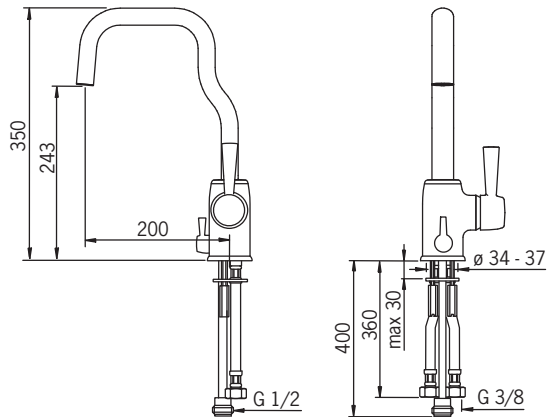
II (ISO 3822) Oras lab.

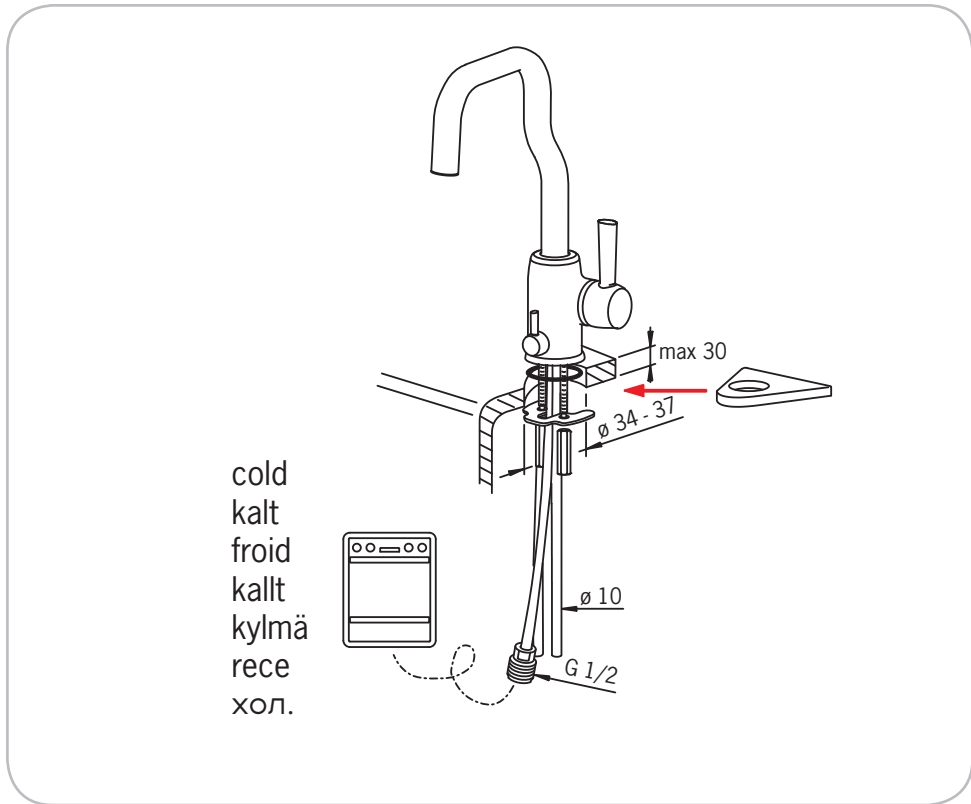
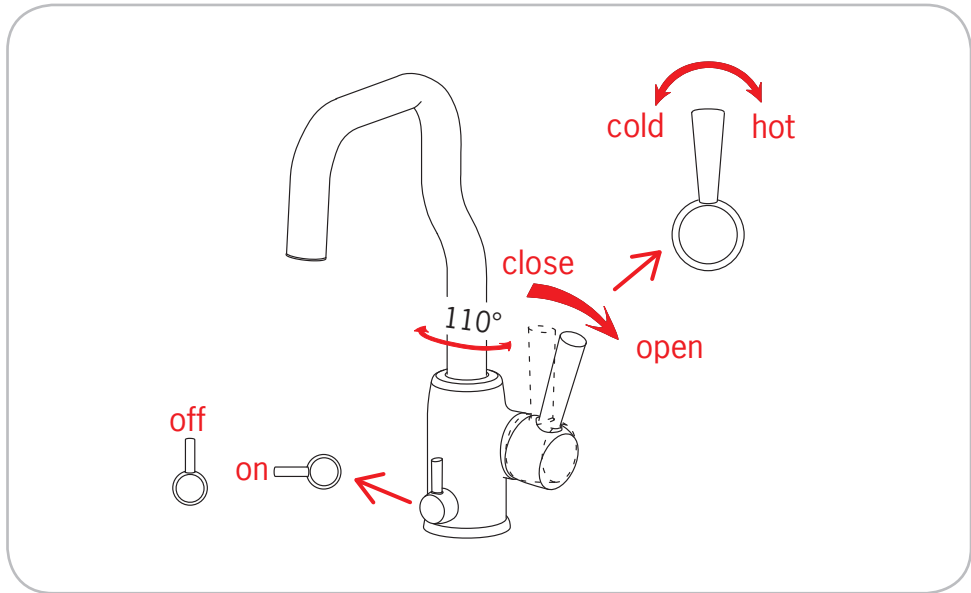
50 - 1000 kPa

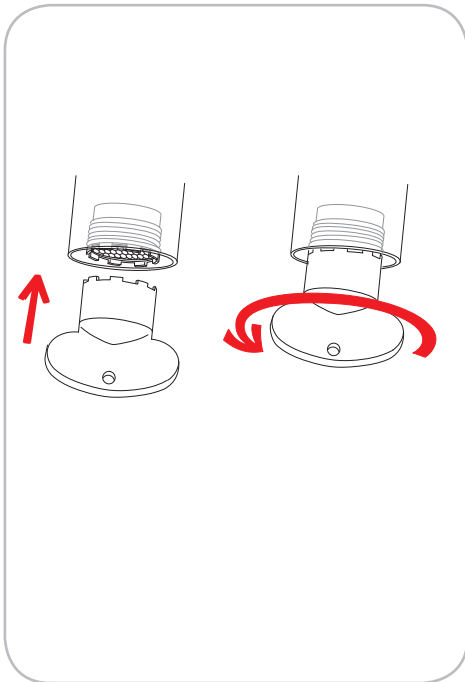
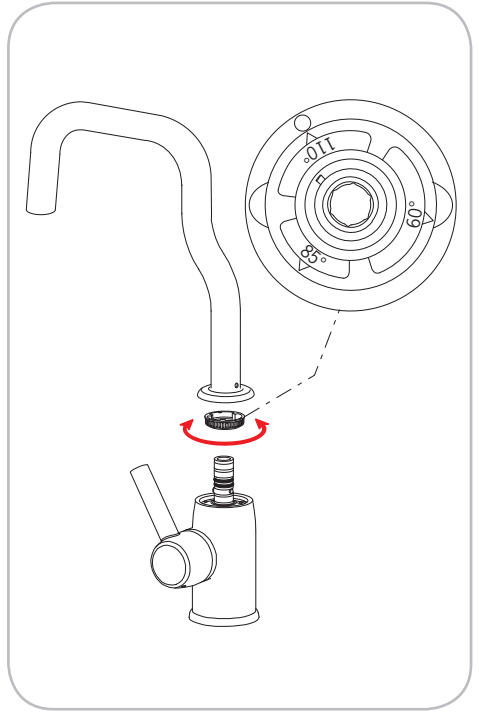
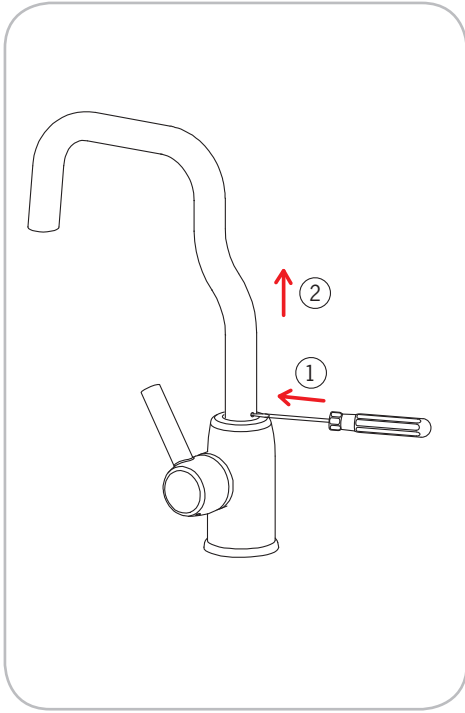
0.216 l/s (300 kPa)

260 kPa (0.2 l/s)

max. +80°C



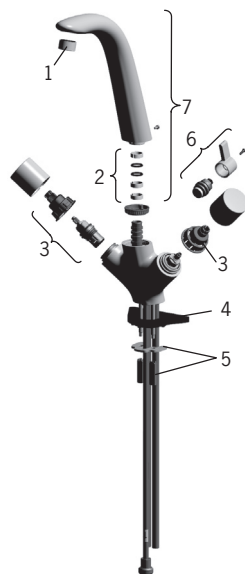




- Ersatzteile • Spare parts • Reservedele • Piezas de recambio • Varuosad
- Varaosat • Reserve-onderdelen • Pièces détachées • Pezzi di ricambio
- Rezerves daļas • Atsarginés detalés • Reservedeler • Części zamienne
- Запасные части • Reservdelar • Náhradné diely • Náhradní díly •

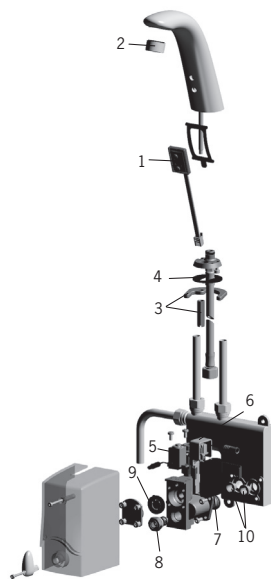
8520, 8520F, 8525, 8525F

1	232210
2	859358V
3	859366V
4	158825
5	158697
6	859362V (8525)
7	859356V



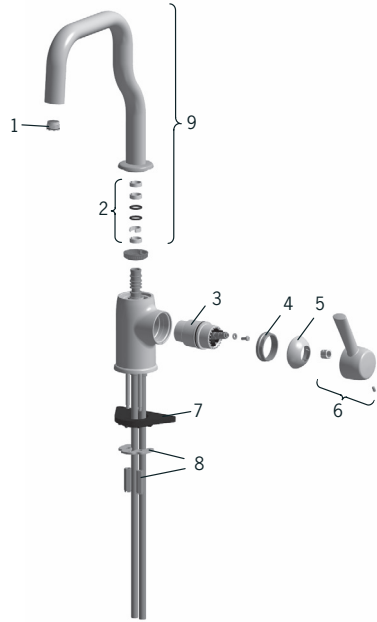
8527, 8528

1	199389V
2	199266V
3	159607V
4	859375V
5	199390V
6	199268V
7	198330
8	198484V
9	198298V
10	199257/2



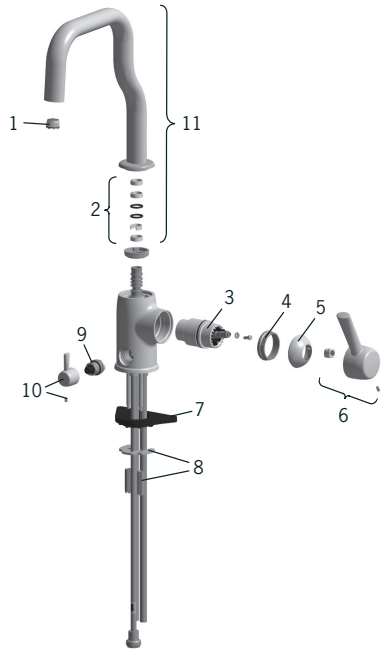
8530, 8530F

- 1 859338V
- 2 198287V
- 3 158890
- 4 158726
- 5 859103V
- 6 859332V
- 7 158825
- 8 158697
- 9 859331V



8535, 8535F

- 1 859338V
- 2 198287V
- 3 158890
- 4 158726
- 5 859103V
- 6 859332V
- 7 158825
- 8 158697
- 9 158203V
- 10 859339V
- 11 859331V



Oras develops, manufactures and markets user-friendly and innovative faucet systems and the related valves and modules. The design and technical solutions of our products are driven by user-friendliness. Oras is the Nordic market leader and one of the Europe's largest manufacturers of faucets. The Oras Group has production facilities in Finland, Poland, and Norway. A large and versatile collection and alternatives for different purposes enable you to find the right faucet for every purpose. For the further details please apply to Oras web site at www.oras.com

Det Norske Veritas Certification OY/AB certifies that the Quality Management System of Oras Oy in Rauma Finland, conforms to the ISO 9001:2000 and the Environmental Management System to the ISO 14001:2004 standard. The certificates are valid for development, manufacture, marketing, sales and after sales services of faucets, accessories and valves.



The TÜV CERT Certification Body of TÜV NORD Zertifizierungs- und Umweltgutachter Gesellschaft mbH certifies that Oras Olesno Sp. z o.o. in Olesno Poland has established and applies Quality and Environmental Management System for manufacture, storage, marketing, sales and after sales services of faucets, valves and accessories. Proof has been provided that the requirements according to ISO 9001:2000 and ISO 14001:2004 are fulfilled.



ORAS GROUP

Isometsäntie 2, P.O. Box 40
FI-26101 Rauma
Finland
Puh. +358 (0)2 83 161
Fax +358 (0)2 831 6300
Info.Finland@oras.com



www.oras.com