

## Important planning information for bathtubs and whirltubs

### Place of installation

- Check the width of the doors to ensure that the bathtub will fit through and into the bathroom.
- There must be no floor heating below the bathtub.
- The floor must be absolutely flat and horizontal.
- Install **bathtubs with panelling** after tiling.
- Install **bathtubs without panelling** either before or after tiling.
- **Whirltubs:** depending on the combination of bathtub and whirl-system, system components might protrude beyond the rim of the bathtub. This is why we recommend installation in a bathtub casing.
- **Tolerances with acrylic:** as a result of the manufacturing process, deviations from the specified nominal dimensions are possible within the scope of the tolerances as per DIN 198. Please take this into account during planning.

### Inspection openings and ventilation grates

#### Tiling the bath

- Provision must be made for the following inspection openings:
  - Outlet and overflow fitting 200 x 200 mm
  - Aggregates 500 x 500 mm
  - For the position, see chapter "Whirl systems product information".
- Whirl tub or bathtub with coloured light: for the air supply, allow an opening with an area of approx. 15 cm<sup>2</sup> (e.g. 3 x 5 cm or 2 x 7.5 cm) in the panel.

#### Bathtub with Duravit panelling

- It must be possible to remove the panelling for inspection purposes. For this reason, allow a certain amount of space in front of the panelling.
- For the air supply, an opening is pre-installed in the panelling; this must not be covered.

### Water connection

The water may only be connected by a qualified plumber. Country-specific standards and local regulations must be observed in full.

#### Water connection

- Connect the inlet and outlet according to current standards and local regulations.
- Ensure that the connecting sleeve is flush with the floor.

### Electrical installation for bathtubs with coloured light and whirltubs

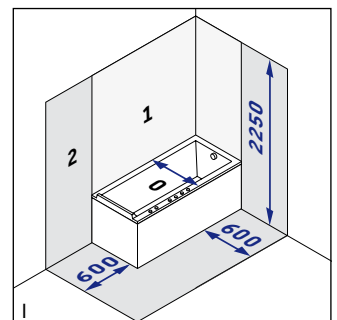
The electricity may only be connected by a qualified electrician. Country-specific standards, local regulations and low-voltage guidelines must be observed in full.

#### Electrical connection

Electrical data

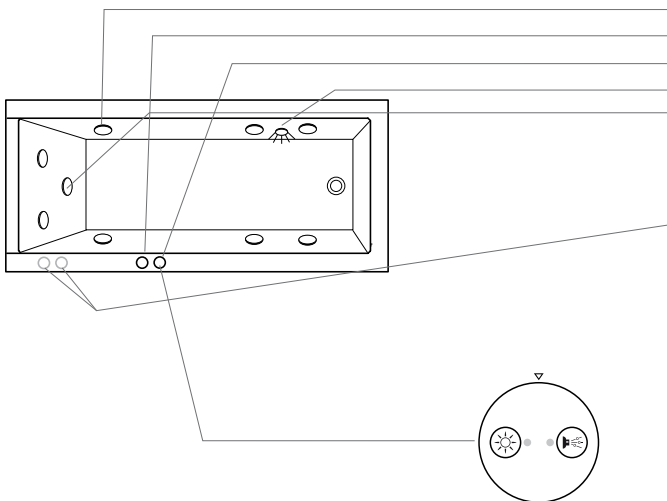
Whirlsystem	Max. rated power without heating	Max. rated power with heating	Frequency Voltage
Air	1,08 kW	-	50 Hz: 230 V~AC 60 Hz: 220 V~AC
Jet	0,74 kW	-	
Combi P	2,19 kW	-	
Combi E	2,74 kW	3,50 kW	
Combi L	2,38 kW	5,34 kW	
Jet E	1,69 kW	2,69 kW	
Jet L	1,36 kW	4,36 kW	

- Potential equalisation installed, 3000 mm
- Install supply line in acc. with the following requirements (two supply lines for combi system L with temperature module):
  - Fuse protection  $I_N = 16A$ ,  
RCD max. 30mA
  - Switched via all-pole disconnecting mains switch, outside zones 0, 1 and 2 (see Fig. I)
  - Cable length 3000 mm



## Whirl-Systems Product Information

### Jet E System



#### Equipment

- 6 side mounted jets (air + water)
- Control panel Jet E
- Air control regulator Jet-System
- 1 underwater light, 50W
- 3 adjustable rotating back-massage jets

#### Additional modules (optional)

- Inline heater (without image)
- Control panel electronic cleaning system

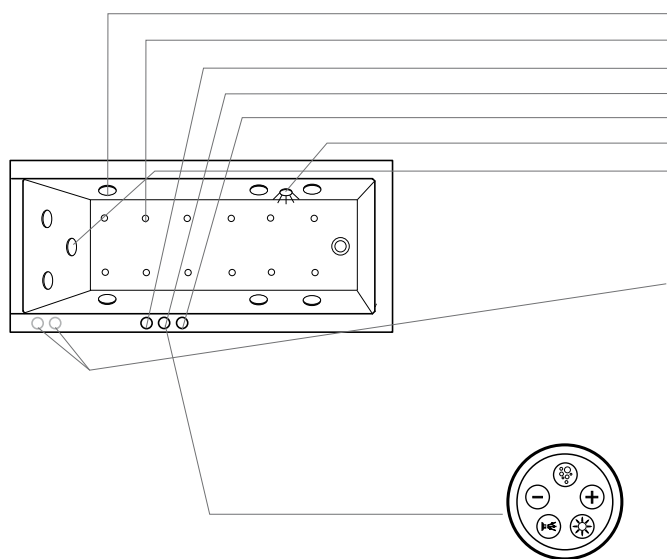
#### Accessories (optional)

- Cable-driven waste and overflow with integrated water inlet (without image)
- Coloured Light with remote control for whirltubs (without image)

#### Control panel Jet E

The system is operated by pressing the raised symbol on the control panel.

### Combi-System E



#### Equipment

- 6 side mounted jets (air + water)
- 12 jets embedded in the floor (air)
- Air control regulator back-massage
- Control panel Combi-System E
- Air control regulator Jet-System
- 1 underwater light, 50W
- 3 adjustable rotating back-massage jets

#### Additional modules (optional)

- Inline heater (without image)
- Control panel electronic cleaning system

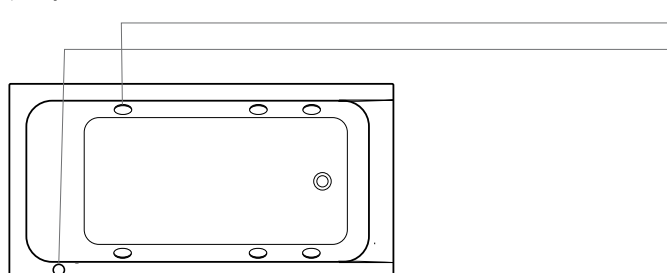
#### Accessories (optional)

- Cable-driven waste and overflow with integrated water inlet (without image)
- Coloured Light with remote control for whirltubs (without image)

#### Control panel Combi-System E

The system is operated by pressing the raised symbol on the control panel.

### Jet System (D-Code)

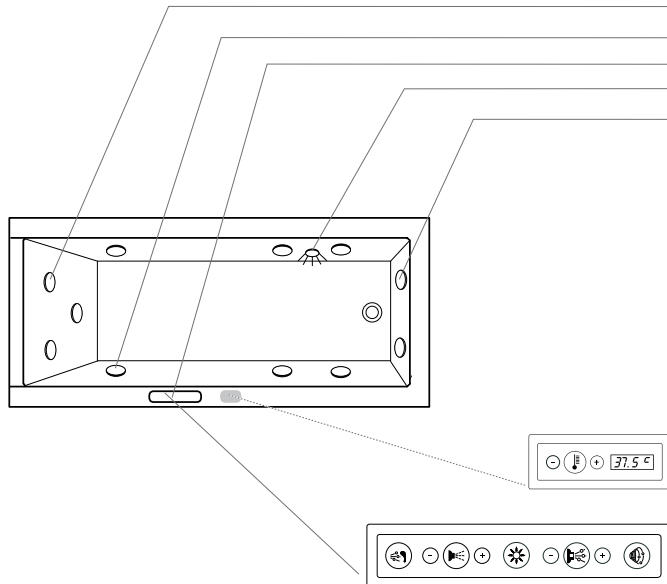


#### Equipment

- 6 side mounted jets (air + water)
- Operating unit + Air control regulator

## Whirl-Systems Product Information

### Jet L System



#### Equipment

- 3 adjustable rotating back-massage jets
- 6 side mounted jets (Air + water)
- Control panel Jet L
- 1 underwater light, 50 W
- 2 adjustable rotating foot-massage jets

#### Additional modules (optional)

- Coloured light (instead of underwater light) (without image)
- UV Hygiene Management (without image)
- Temperature L (without image)

#### Accessories (optional)

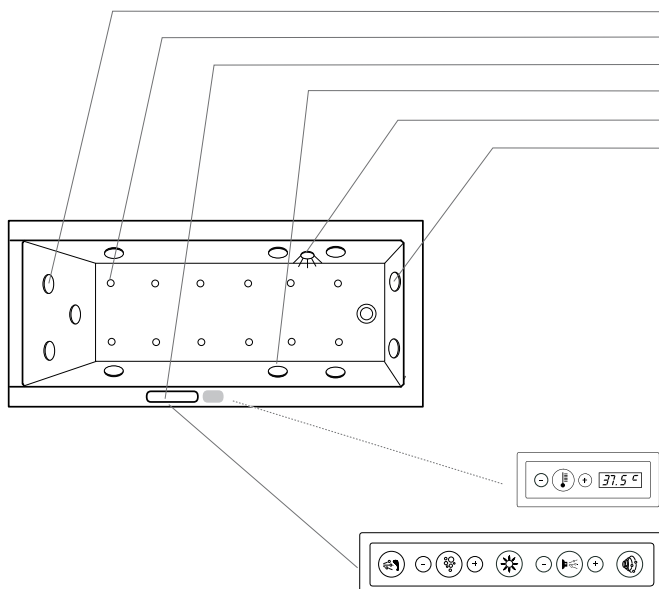
- Cable-driven waste and overflow with integrated water inlet (without image)

#### Control panel Temperature L (optional)

#### Control panel Jet L

The operating symbols are almost invisible at first. By gently pressing the area within the stainless steel frame, the lighting comes on gradually. The functions are controlled via the now visible symbols. Once the whirl action is over, the lighting dims completely.

### Combi-System L



#### Equipment

- 3 adjustable rotating back-massage jets
- 12 jets embedded in the floor (Air)
- Control panel Combi-System L
- 6 side mounted jets (Air + water)
- 1 underwater light, 50 W
- 2 adjustable rotating foot-massage jets

#### Additional modules (optional)

- Coloured light (instead of underwater light) (without image)
- UV Hygiene Management (without image)
- Temperature L (without image)

#### Accessories (optional)

- Cable-driven waste and overflow with integrated water inlet (without image)

#### Control panel Temperature L (optional)

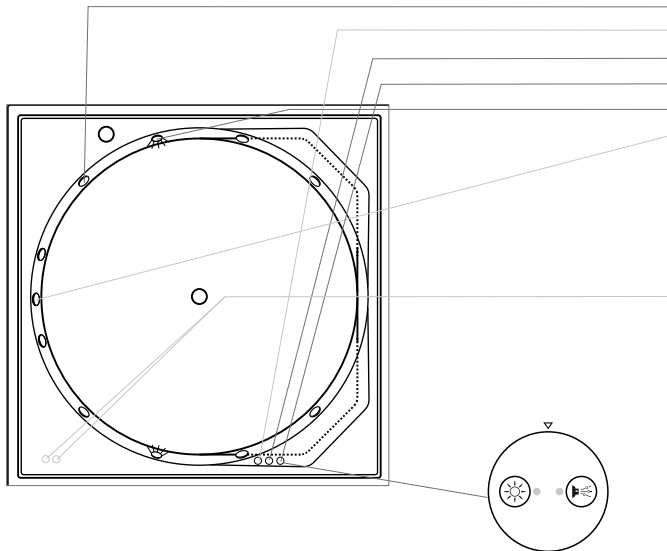
#### Control panel Combi-System L

The operating symbols are almost invisible at first. By gently pressing the area within the stainless steel frame, the lighting comes on gradually. The functions are controlled via the now visible symbols. Once the whirl action is over, the lighting dims completely.

## Whirl-Systems Product Information

### Blue Moon

#### Jet E-System



#### Equipment

- 6 side mounted jets (air + water)
- Air control regulator back-massage
- Air control regulator Jet-System
- Control panel Jet E
- 2 underwater lights, 50 W
- 3 adjustable rotating back-massage jets (arranged in different heights)

#### Additional modules (optional)

- Inline heater (without image)
- Control panel electronic cleaning system

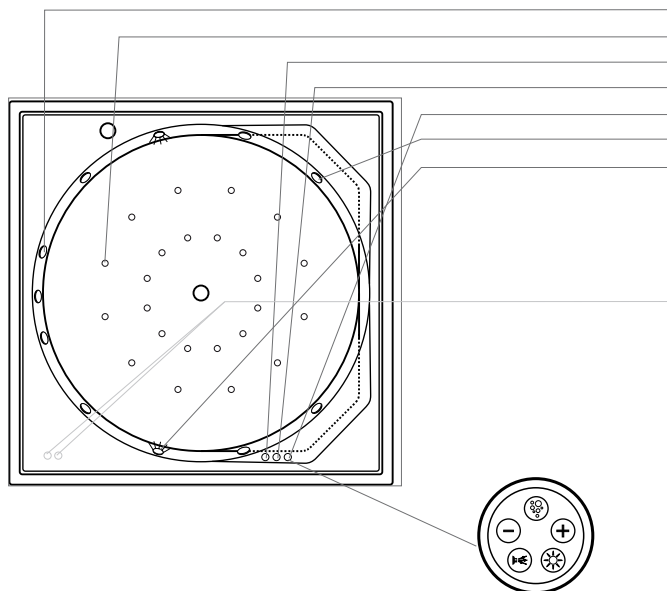
#### Accessories (optional)

- Coloured Light with remote control for whirltubs (without image)

#### Control panel Jet E

The system is operated by pressing the raised symbol on the Control panel.

### Combi-System E



#### Equipment

- 3 adjustable rotating back-massage jets (arranged in different heights)
- 24 jets embedded in the floor (air)
- Air control regulator back-massage
- Air control regulator Jet-System
- Control panel Jet E
- 6 side mounted jets (air + water)
- 2 underwater lights, 50 W

#### Additional modules (optional)

- Inline Heater (without image)
- Control panel electronic cleaning system

#### Accessories (optional)

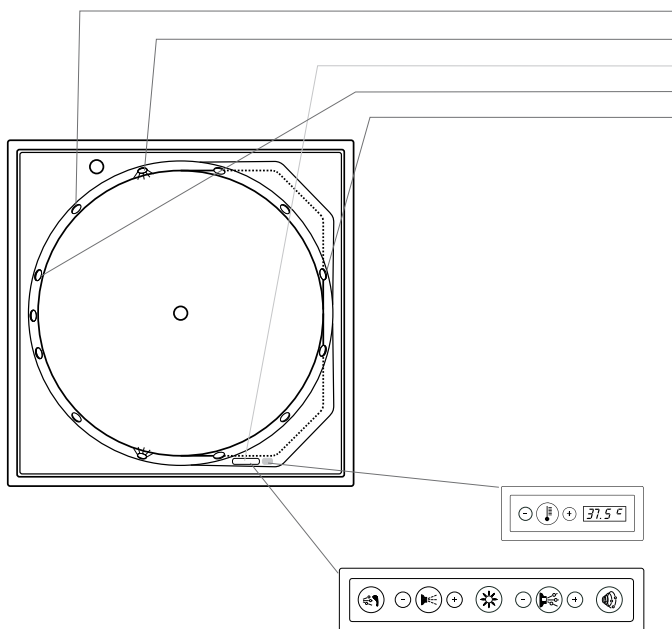
- Coloured Light with remote control for whirltubs (without image)

#### Control panel Combi-System E

The system is operated by pressing the raised symbol on the control panel.

## Whirl-Systems Product Information

### Jet L-System



#### Equipment

- 6 side mounted jets (air + water)
- 2 underwater lights, 50 W
- Control panel Jet L
- 3 adjustable rotating back-massage jets (arranged in different heights)
- 2 adjustable rotating foot-massage jets

#### Additional modules (optional)

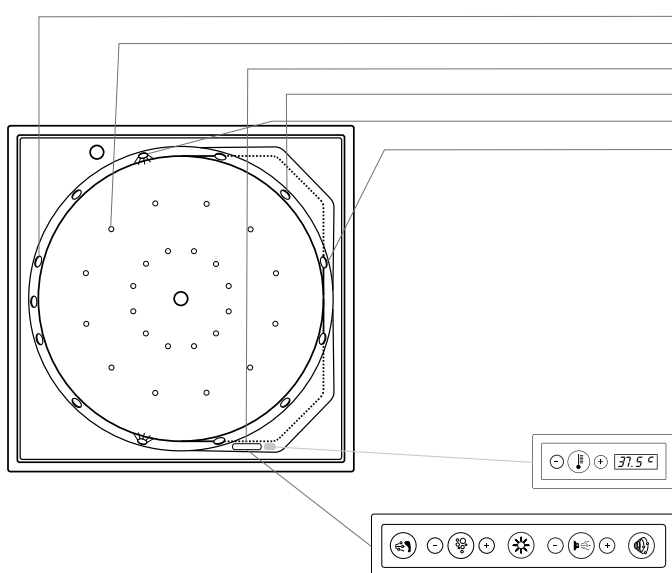
- Coloured Light (instead of underwater light) (without image)
- UV Hygiene Management (without image)
- Temperature L (without image)

#### Control panel Temperature L (optional)

#### Control panel Jet L

The operating symbols are almost invisible at first. By gently pressing the area within the stainless steel frame, the lighting comes on gradually. The functions are controlled via the now visible symbols. Once the whirl action is over, the lighting dims completely.

### Combi-System L



#### Equipment

- 3 adjustable rotating back-massage jets (arranged in different heights)
- 24 jets embedded in the floor (air)
- Control panel Combi-System L
- 6 side mounted jets (air + water)
- 2 underwater lights, 50 W
- 2 adjustable rotating foot-massage jets

#### Additional modules (optional)

- Coloured Light (instead of underwater light) (without image)
- UV Hygiene Management (without image)
- Temperature L (to heat the whirltub to the desired temperature) (without image)

#### Control panel Temperature L (optional)

#### Control panel Combi-System L

The operating symbols are almost invisible at first. By gently pressing the area within the stainless steel frame, the lighting comes on gradually. The functions are controlled via the now visible symbols. Once the whirl action is over, the lighting dims completely.

## Whirl-Systems Product Information

### Whirlsystems and additional modules



#### Air-System

Warm air is injected into the bath by 12 (24 in Blue Moon) jets embedded in the floor of the tub.



#### Jet-System

6 side mounted jets create maximum hydrotherapeutic action with actuated intensity of the massage, freely regulated via an air control regulator which is integrated in the rim of the tub.



#### Back-massage

Water-Air-jet  
3 adjustable rotating jets have a beneficial effect on the back.



#### Foot-massage

Water-Air-jet  
2 adjustable rotating jets are stimulating the reflex zones of the foot.



#### Light

1 (2 in Blue Moon) underwater light, 50 W halogen, creates a cosy atmosphere in the bathroom.



#### Temperature

Electronically controlled thermal system to compensate for loss of temperature during whirl action.



#### Hygiene Management

Electronically controlled cleaning system for the disinfection of the jets and pipes of the whirlsystem.



#### Coloured Light

Light from 5 (10 in Blue Moon) LED-spotlights set into the side walls suffuses the water in alternating, bright colours. A colour in accordance with the atmosphere. Halogen spot is going to be replaced.



#### Coloured Light with remote control for bathtubs and whirltubs

Light from 5 (10 in Blue Moon) LED-spotlights set into the side walls suffuses the bath water in alternating, bright colours. The 6 colours and white light plus 5 coloured lighting programmes can be selected using the remote control. The brightness of the colours can be dimmed. The LED coloured lighting is not available for Combi L.



#### Temperature L

Heating module with blue backlit LCD display and control. This system can be used to adjust the whirltub to the desired temperature.



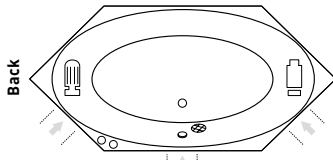
#### UV Hygiene Management

Simple, environmentally-friendly hygiene by means of automatic UV disinfection. Permanent monitoring of operation by optical sensor.

Standard equipment: Full system drainage, cable-driven waste and overflow, chrome, support frame.

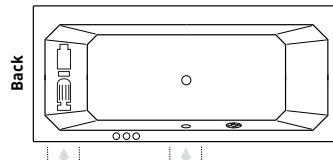
## Whirl-Systems Product Information

### 2 x 3



# 710023, # 710024

### 1930 Series



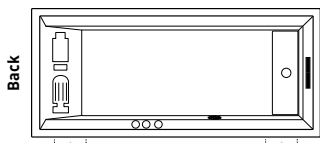
# 710156

### Positioning of the Control panel

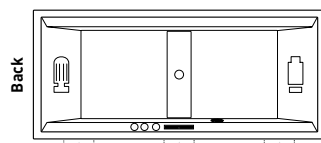
The directions are taken from the perspective of a person bathing. In the standard configuration, the Control panel is always on the right hand side, as are the drain and overflow fittings in 2-seater baths (c.f. Image.).

On request, alternative positioning of the Control panel or aggregates is however possible. Please send us a sketch showing the desired layout. Duravit will check and wherever possible confirm the feasibility.

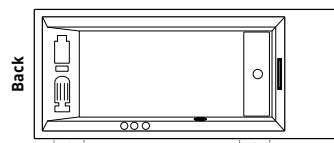
### 2nd floor



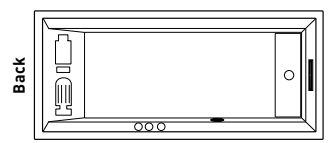
# 710073, # 710074, # 710075



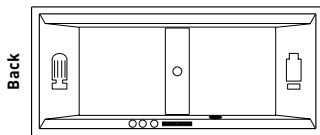
# 710076, # 710160, # 710161



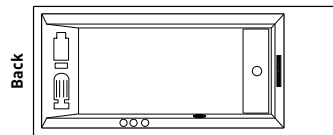
# 710077



# 710078, # 710079, # 710080

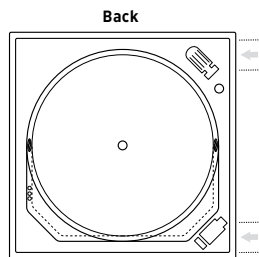


# 710081, # 710162, # 710163

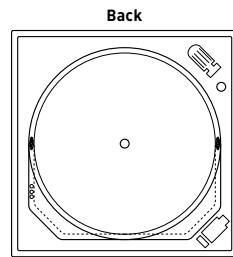


# 710082

### Blue Moon

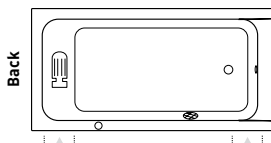


# 710143 Built-in version

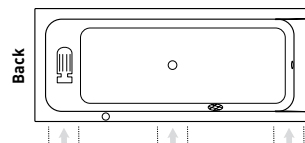


# 710143 with Panel

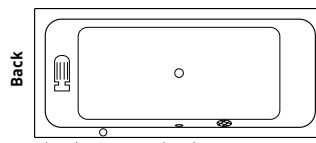
### D-Code



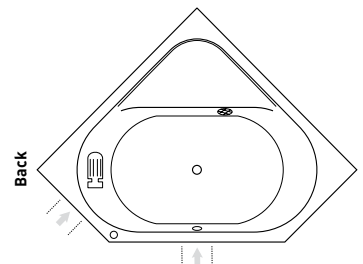
# 740095, # 740096,  
# 740098, # 740100



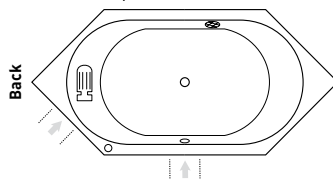
# 740097, # 740099



# 740101



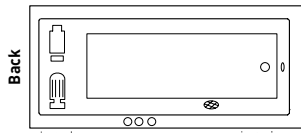
# 740137



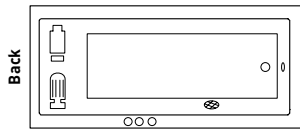
# 740138

## Whirl-Systems Product Information

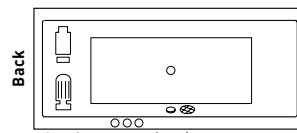
### Daro, Starck X



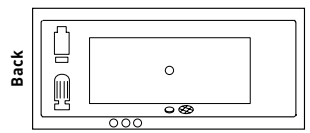
# 710027, # 710141, # 710050



# 710089

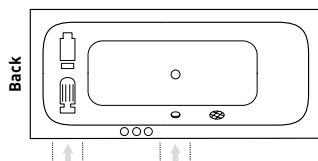


# 710028, # 710052

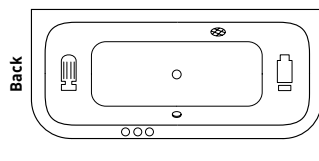


# 710090

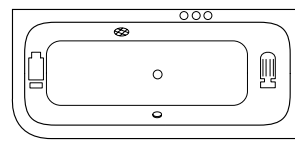
### Happy D.



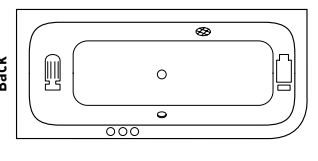
# 710015



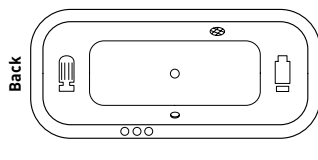
# 710016



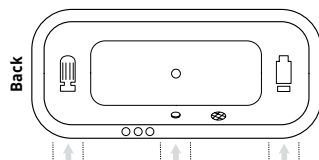
# 710017



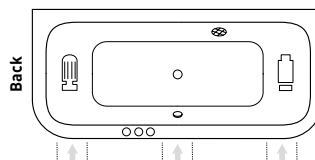
# 710018



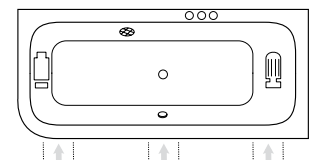
# 71...19



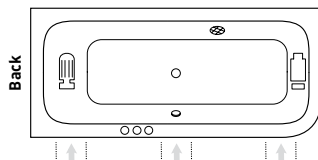
# 710020



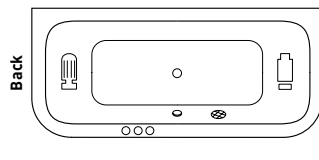
# 710172



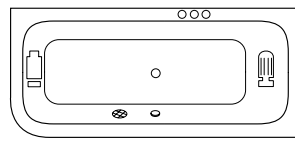
# 710173



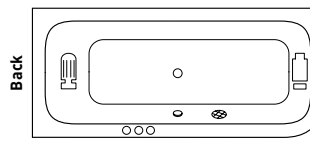
# 710174



# 710178

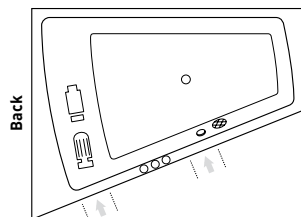


# 710179

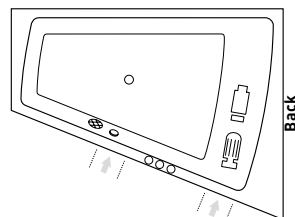


# 710180

### Paiova



# 710035, # 710037  
# 710039, # 710041  
# 710190, # 710191



# 710036, # 710038  
# 710040, # 710042  
# 710191, # 710192

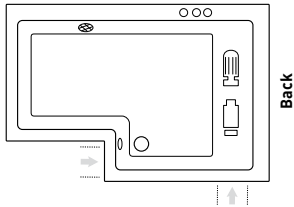
### Installation for Paiova with furniture panelling

Paiova Whirltub with furniture panelling:  
Lower edge of siphon lies 45 mm below upper edge of tiles

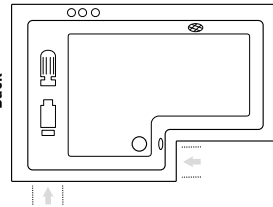


## Whirl-Systems Product Information

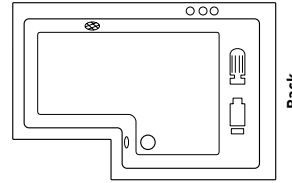
### Seadream



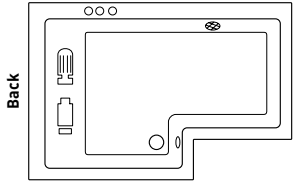
# 710111



# 710112

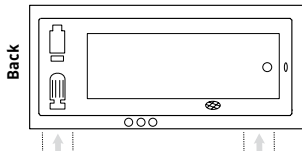


# 710113

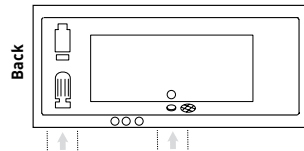


# 710114

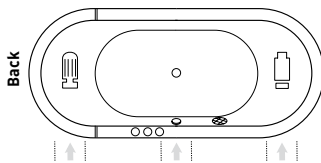
### Starck



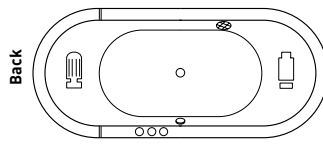
# 710001, # 710002, # 710003,  
# 710117, # 710118, # 700091,  
# 700092



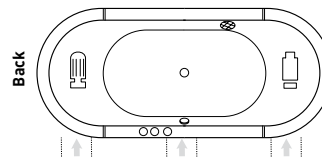
# 710004, # 710031, # 710032,  
# 710119



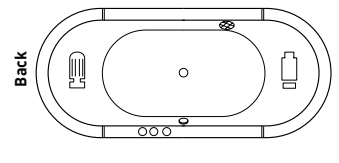
# 710009



# 710010

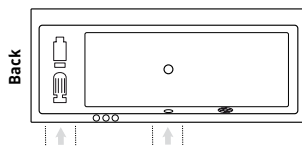


# 710011

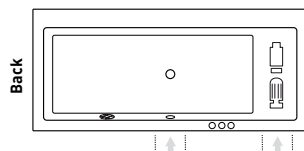


# 710012

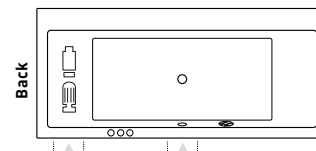
### Vero



# 710133



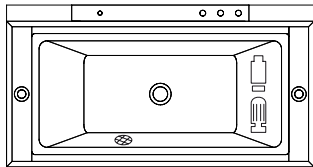
# 710134



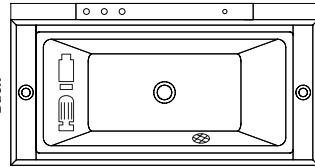
# 710135, # 710136

## Whirl-Systems Product Information

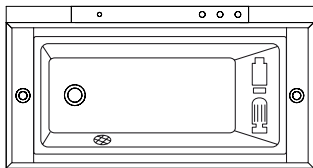
### Sundeck



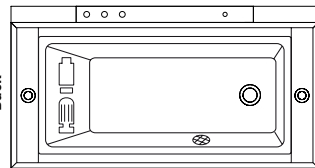
# 710066, # 710128



# 710066, # 710128



# 710127



# 710127

Fig. 1 Freestanding version, corner right, and back-to-wall version

Fig. 2 Corner left

#### Positioning of the Control panel on the pillar:

##### Furniture panelling for freestanding version, corner right and back-to-wall version:

Directions are as seen from the perspective of a person in the tub. In the standard configuration, the right hand always operates the Control panel (see Fig. 1).

Custom version on request. In this case, a sketch showing the desired layout is required. Duravit will check and confirm whether the desired location is possible.

##### Furniture panel for corner left:

Directions are as seen from the perspective of a person in the tub. In the standard configuration, the left hand always operates the Control panel (see Fig. 2).

Custom version on request. In this case, a sketch showing the desired layout is required. Duravit will check and confirm whether the desired location is possible.

#### Number of control panels on the pillar:

The number of control panels is determined by the system and the additional modules selected.

### Legend



Whirl-Pump



Blower



Control panel



Suction Screen



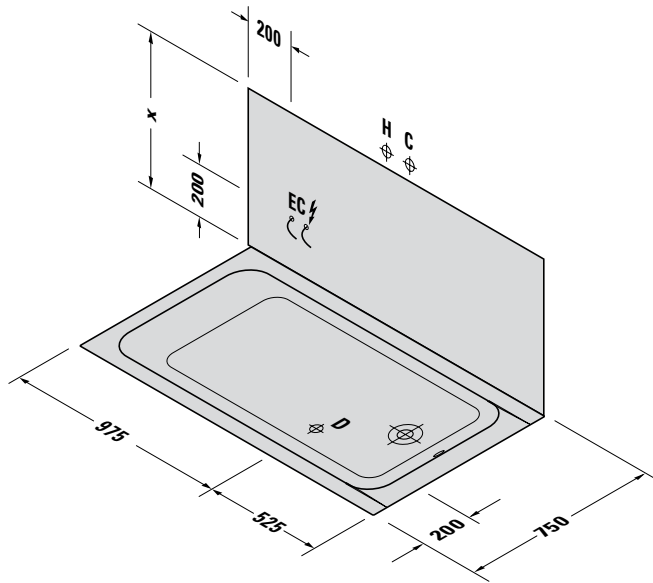
necessary equipment covers

Please note that in case of combining tubs and whirlsystems, single components may reach over the rim of the tub. Therefore, we suggest installation into a bathtub case.

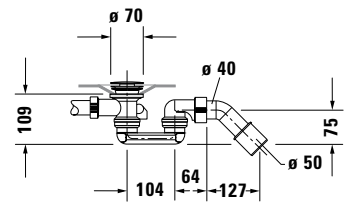
**Pre-installation D-Code # 700102/740095**

↳ 1500 x 750 x 400 ‹

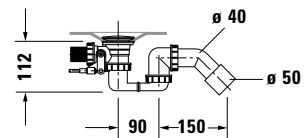
Design by Sieger Design



- H Hot water connection
- C Cold water connection
- D Drain connection
- EC ⚡ Electricity connection



Siphon for bathtub # 700102



Siphon for whirltub # 740095

	Height	including support frame	including support	including furniture panel
X Bathtub	420	535 - 600	540	550
X Whirltub	-	540 - 575	-	550

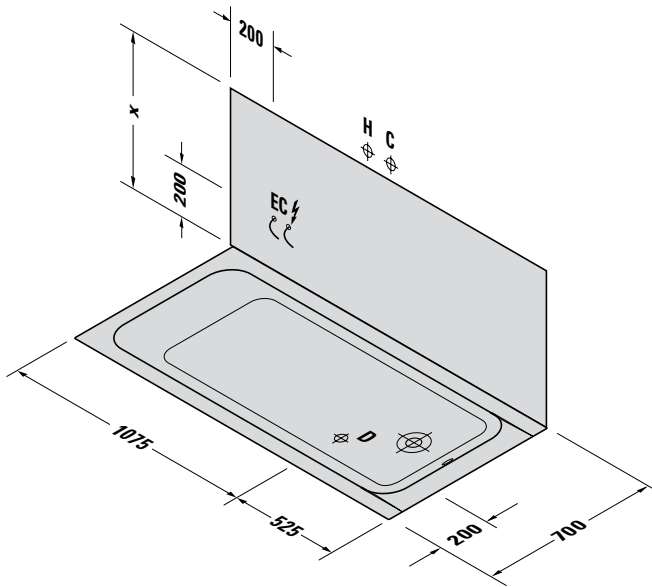
**Technical specifications**

Net weight kg	Floor load kg/m <sup>2</sup>	Shipping weight kg	Shipping dimensions l x w x h (cm)	Water inlet OD, ID	Whirlsystem	Model-No.
19,5	160	34,5	120 x 80 x 165	-		700102 . . . 0 00 0000
26,0	165	56,0	190 x 88 x 75	-	Jet-System	740095 . . . 2 00 1000

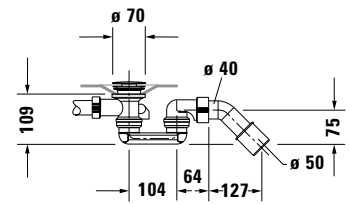
## Pre-installation D-Code # 700103/740096

↳ 1600 x 700 x 400 ‹

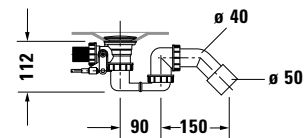
Design by Sieger Design



- H Hot water connection
- C Cold water connection
- D Drain connection
- EC ⚡ Electricity connection



Siphon for bathtub # 700103



Siphon for whirltub # 740096

	Height	including support frame	including support	including furniture panel
X Bathtub	420	535 - 600	540	550
X Whirltub	-	540 - 575	-	550

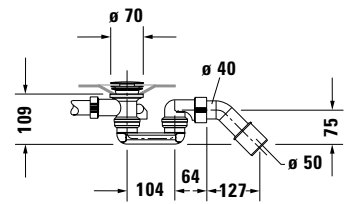
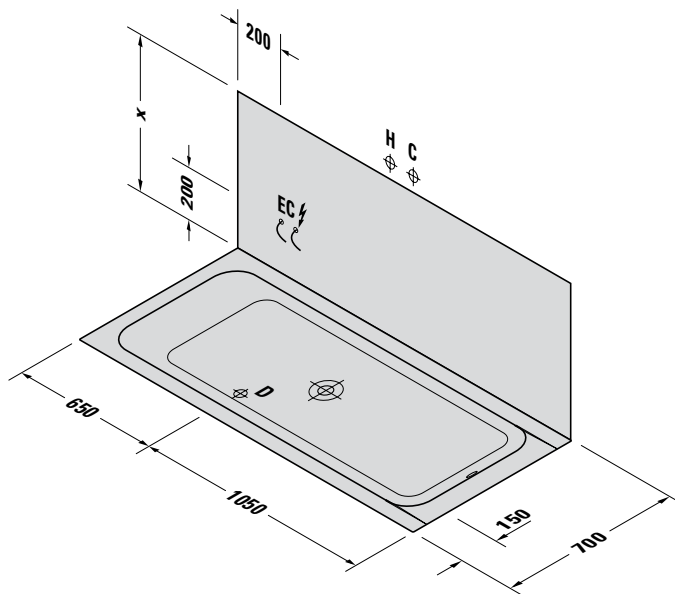
### Technical specifications

Net weight kg	Floor load kg/m <sup>2</sup>	Shipping weight kg	Shipping dimensions l x w x h (cm)	Water inlet OD, ID	Whirlsystem	Model-No.
19,5	160	34,5	120 x 80 x 175	-		700103 . . . 0 00 0000
26,0	166	56,0	190 x 88 x 75	-	Jet-System	740096 . . . 2 00 1000

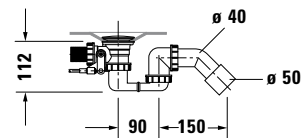
# Pre-installation D-Code # 700104/740097

↳ 1700 x 700 x 400 ‹

Design by Sieger Design



Siphon for bathtub # 700104



Siphon for whirltub # 740097

- H Hot water connection
- C Cold water connection
- D Drain connection
- EC ⚡ Electricity connection

	Height	including support frame	including support	including furniture panel
X Bathtub	420	535 - 600	540	550
X Whirltub	-	540 - 575	-	550

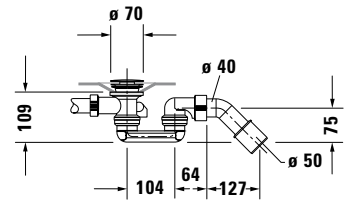
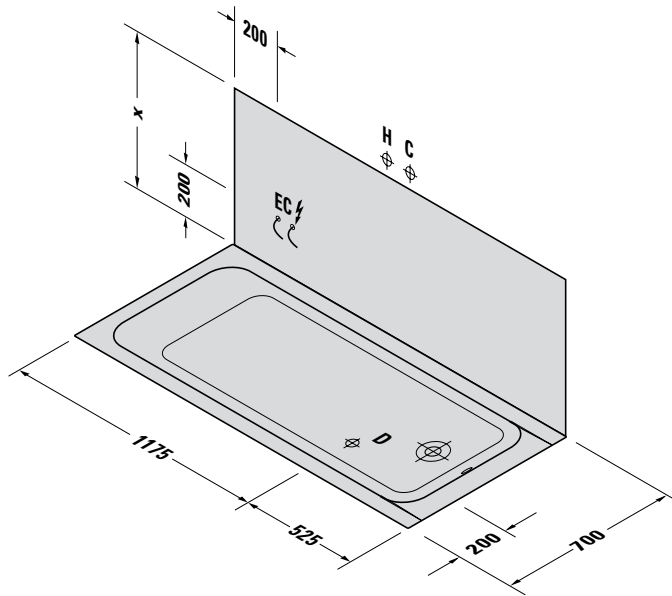
### Technical specifications

Net weight kg	Floor load kg/m <sup>2</sup>	Shipping weight kg	Shipping dimensions l x w x h (cm)	Water inlet OD, ID	Whirlsystem	Model-No.
21,5	161	36,5	120 x 80 x 185	-		700104 . . 0 00 0000
28,0	166	58,0	190 x 88 x 75	-	Jet-System	740097 . . 2 00 1000

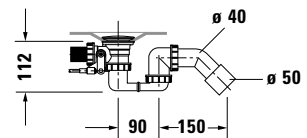
**Pre-installation D-Code # 700105/740098**

↳ 1700 x 700 x 400 ‹

Design by Sieger Design



Siphon for bathtub # 700105



Siphon for whirltub # 740098

- H Hot water connection
- C Cold water connection
- D Drain connection
- EC ⚡ Electricity connection

	Height	including support frame	including support	including furniture panel
X Bathtub	420	535 - 600	540	550
X Whirltub	-	540 - 575	-	550

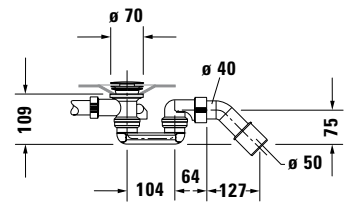
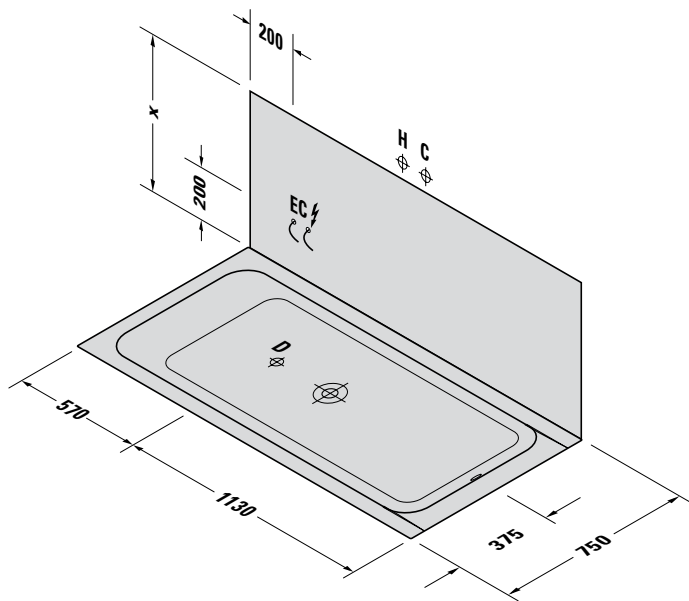
**Technical specifications**

Net weight kg	Floor load kg/m <sup>2</sup>	Shipping weight kg	Shipping dimensions l x w x h (cm)	Water inlet OD, ID	Whirlsystem	Model-No.
21,5	161	36,5	120 x 80 x 185	-		700105 . . . 0 00 0000
28,0	166	58,0	190 x 88 x 75	-	Jet-System	740098 . . . 2 00 1000

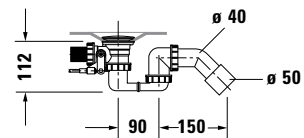
# Pre-installation D-Code # 700106/740099

↳ 1700 x 750 x 400 ‹

Design by Sieger Design



Siphon for bathtub # 700106



Siphon for whirltub # 740099

- H Hot water connection
- C Cold water connection
- D Drain connection
- EC ⚡ Electricity connection

	Height	including support frame	including support	including furniture panel
X Bathtub	420	535 - 600	540	550
X Whirltub	-	540 - 575	-	550

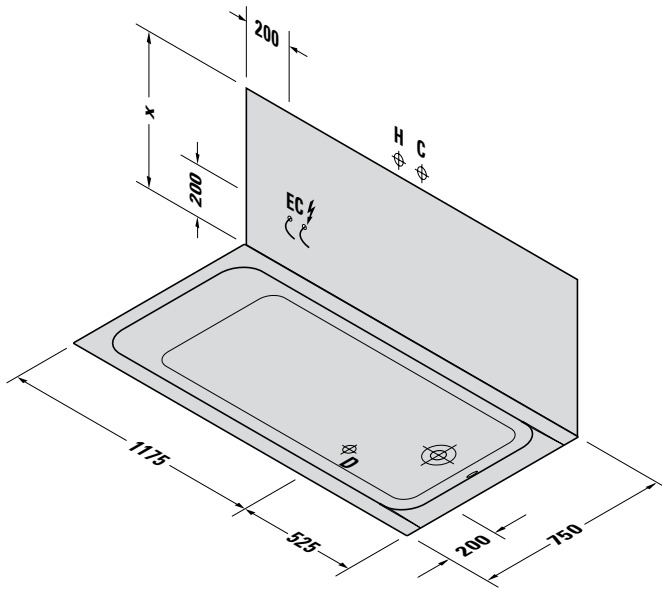
### Technical specifications

Net weight kg	Floor load kg/m <sup>2</sup>	Shipping weight kg	Shipping dimensions l x w x h (cm)	Water inlet OD, ID	Whirlsystem	Model-No.
22,0	158	37,0	120 x 80 x 185	-		700106 . . . 0 00 0000
28,0	163	58,0	190 x 88 x 75	-	Jet-System	740099 . . . 2 00 1000

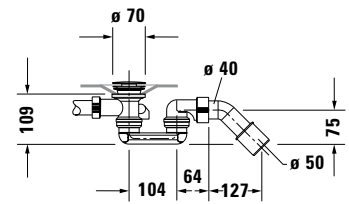
## Pre-installation D-Code # 700107/740100

↳ 1700 x 750 x 400 ‹

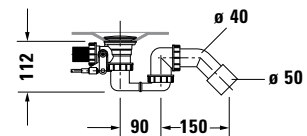
Design by Sieger Design



- H Hot water connection
- C Cold water connection
- D Drain connection
- EC ⚡ Electricity connection



Siphon for bathtub # 700107



Siphon for whirltub # 740100

	Height	including support frame	including support	including furniture panel
X Bathtub	420	535 - 600	540	550
X Whirltub	-	540 - 575	-	550

### Technical specifications

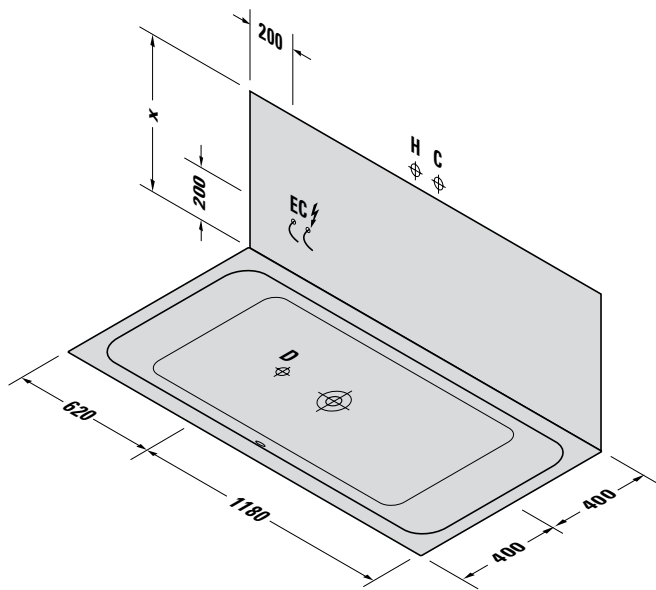
Net weight kg	Floor load kg/m <sup>2</sup>	Shipping weight kg	Shipping dimensions l x w x h (cm)	Water inlet OD, ID	Whirlsystem	Model-No.
22,0	158	37,0	120 x 80 x 185	-		700107 . . . 0 00 0000
28,0	163	58,0	190 x 88 x 75	-	Jet-System	740100 . . . 2 00 1000



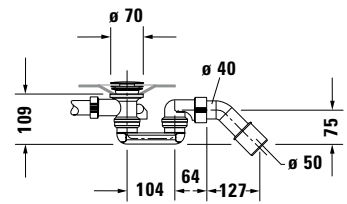
# Pre-installation D-Code # 700108/740101

↳ 1800 x 800 x 400 ‹

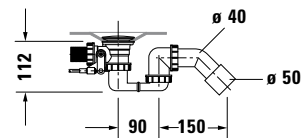
Design by Sieger Design



- H Hot water connection
- C Cold water connection
- D Drain connection
- EC ⚡ Electricity connection



Siphon for bathtub # 700108



Siphon for whirltub # 740101

	Height	including support frame	including support	including furniture panel
X Bathtub	420	535 - 600	540	550
X Whirltub	-	540 - 575	-	550

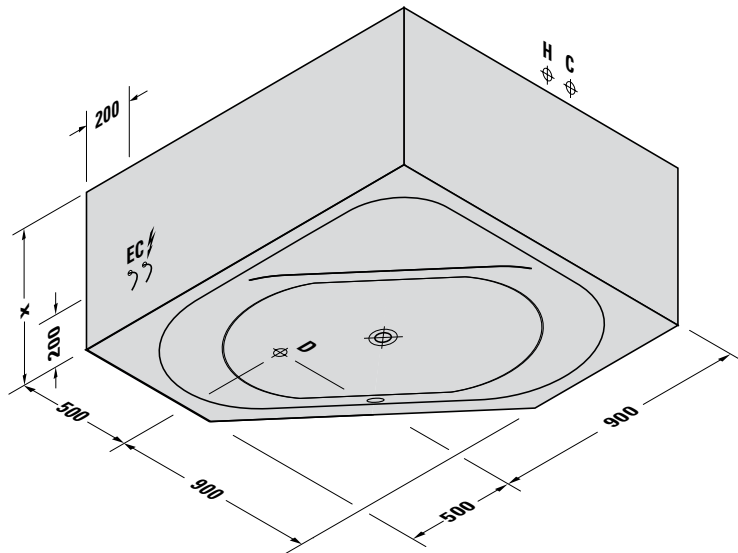
## Technical specifications

Net weight kg	Floor load kg/m <sup>2</sup>	Shipping weight kg	Shipping dimensions l x w x h (cm)	Water inlet OD, ID	Whirlsystem	Model-No.
25,5	164	40,5	120 x 80 x 195	-		700108 . . . 0 00 0000
32,0	168	62,0	190 x 88 x 75	-	Jet-System	740101 . . . 2 00 1000

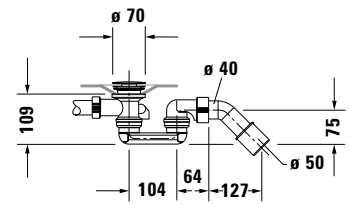
# Pre-installation D-Code # 700139/740137

1400 x 1400 x 400

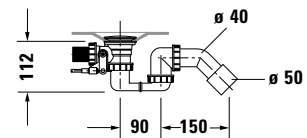
Design by Sieger Design



- H Hot water connection
- C Cold water connection
- D Drain connection
- EC Electricity connection



Siphon for bathtub # 700139



Siphon for whirltub # 740137

	Height	including support frame	including support	including furniture panel
X Bathtub	420	535 - 600	540	-
X Whirltub	-	540 - 575	-	-

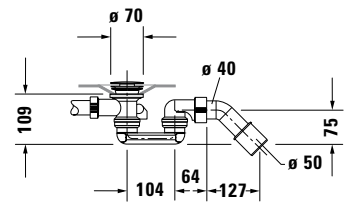
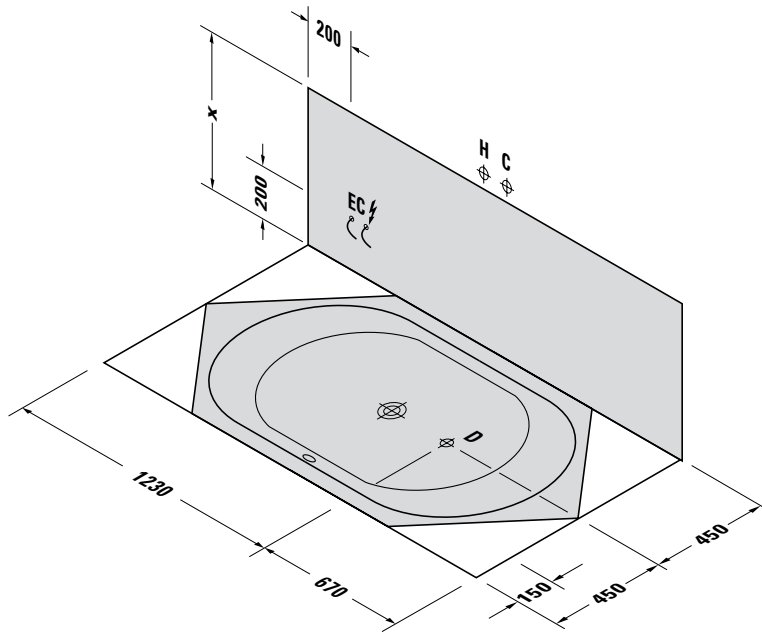
### Technical specifications

Net weight kg	Floor load kg/m <sup>2</sup>	Shipping weight kg	Shipping dimensions l x w x h (cm)	Water inlet OD, ID	Whirlsystem	Model-No.
28,0	116	43,0	200 x 80 x 155	-		700139 . . . 0 00 0000
34,0	119	82,0	184 x 144 x 93	-	Jet-System	740137 . . . 2 00 1000

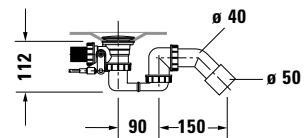
# Pre-installation D-Code # 700140/740138

↳ 1900 x 900 x 400 ‹

Design by Sieger Design



Siphon for bathtub # 700140



Siphon for whirltub # 740138

- H Hot water connection
- C Cold water connection
- D Drain connection
- EC ⚡ Electricity connection

	Height	including support frame	including support	including furniture panel
X Bathtub	420	535 - 600	540	-
X Whirltub	-	540 - 575	-	-

### Technical specifications

Net weight kg	Floor load kg/m <sup>2</sup>	Shipping weight kg	Shipping dimensions l x w x h (cm)	Water inlet OD, ID	Whirlsystem	Model-No.
28,5	134	43,5	200 x 100 x 57	-		700140 . . . 0 00 0000
35,0	137	65,0	190 x 88 x 75	-	Jet-System	740138 . . . 2 00 1000