

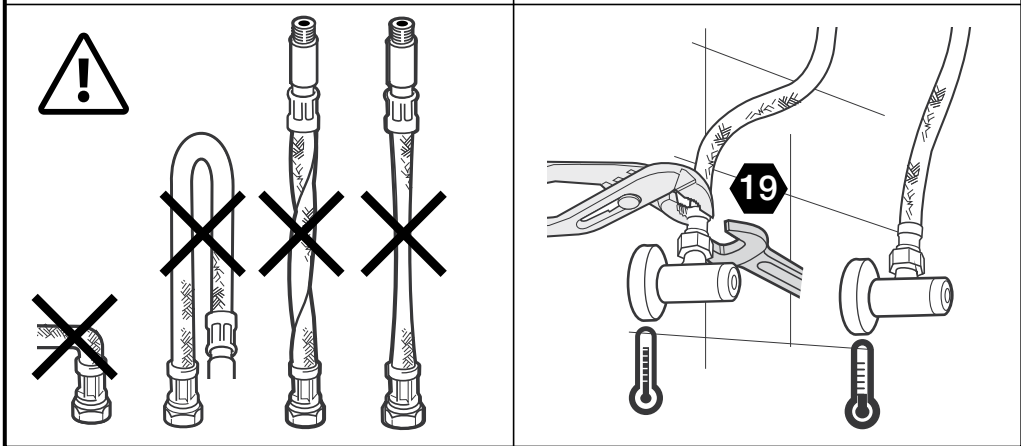
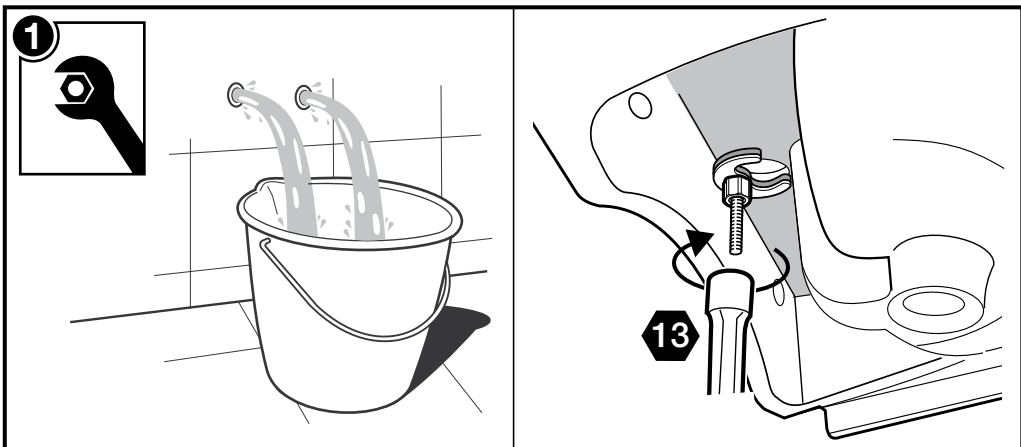















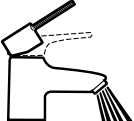
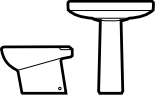
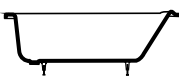
**Roca**

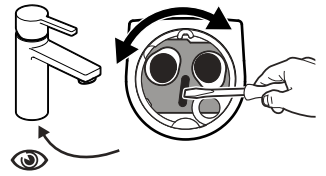
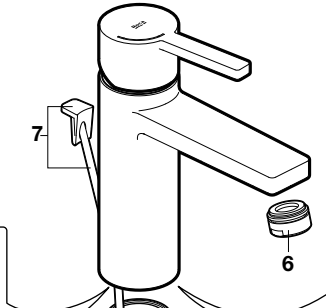
**NAIA**







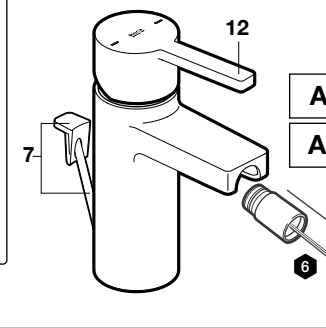
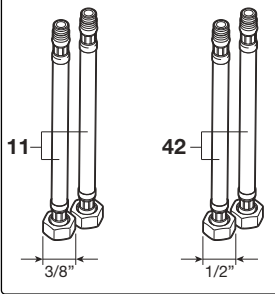
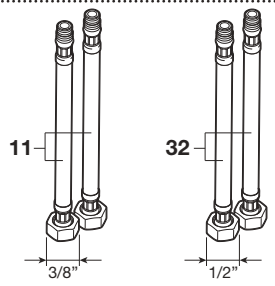
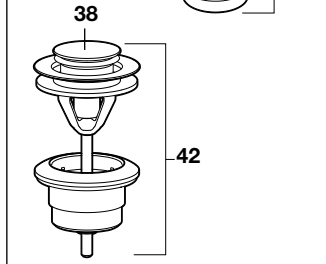
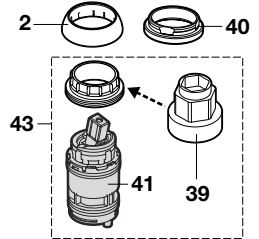
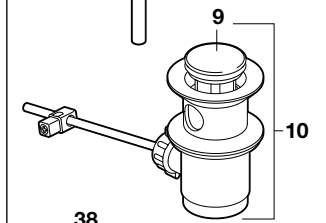
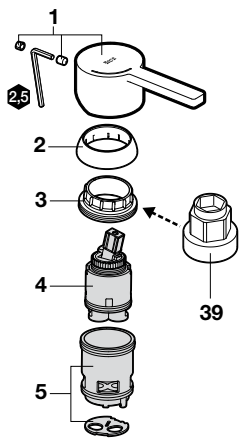
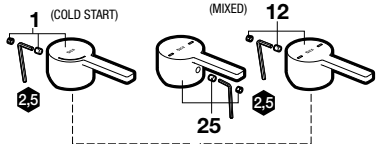
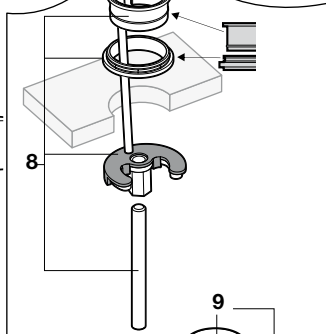
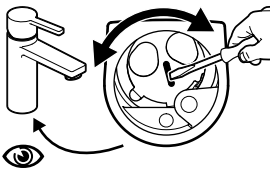
 <b>P</b> 	P bar	 MAX 10	
 <b>P</b> 	P bar	MIN 1  5 MAX	 2 3 
  <b>T</b>	°C	 80 MAX.	 50 65 
 <b>Q</b> (3 bar)	l/min	 5	 20



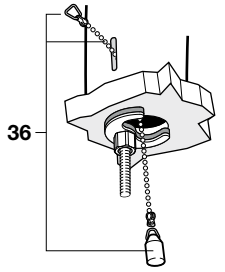
- A5A3096
- A5A3196
- A5A3296
- A5A3A96

- A5A3096
- A5A3196
- A5A3296
- A5A3A96

- A5A3096..M
- A5A3296..M



- A5A6096
- A5A6A96

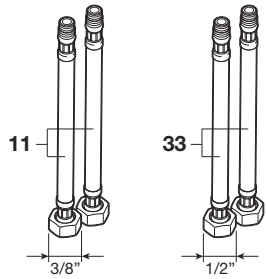
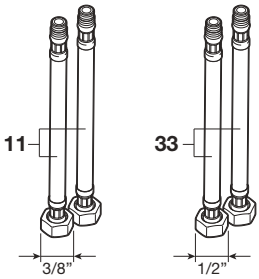
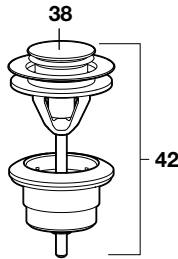
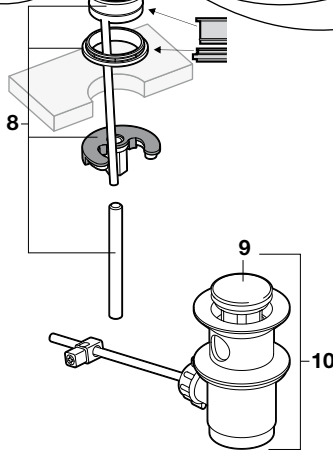
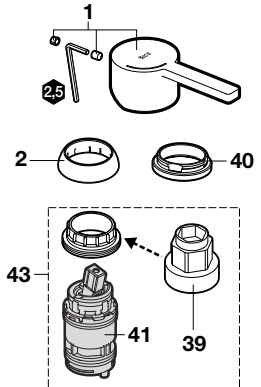
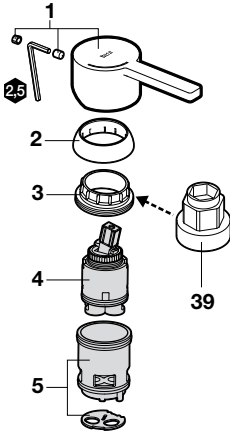
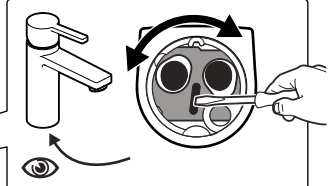
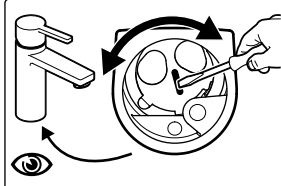
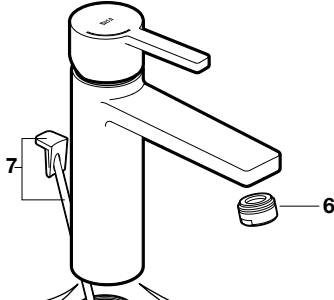


3



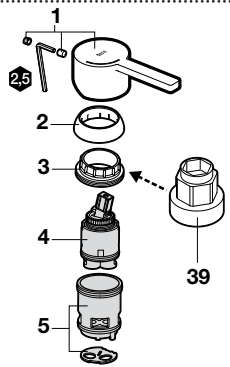
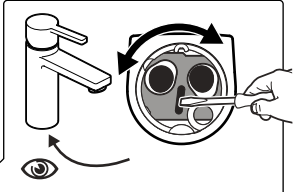
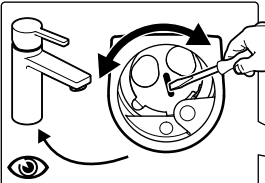
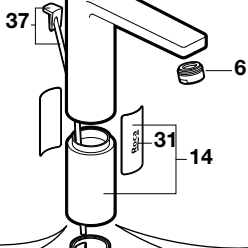
A5A3396

A5A3996

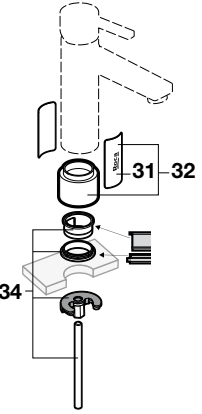




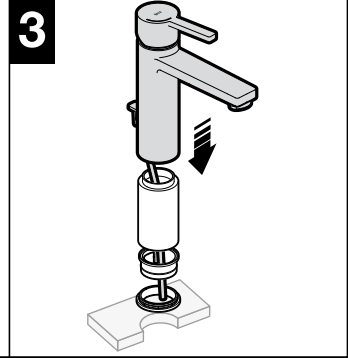
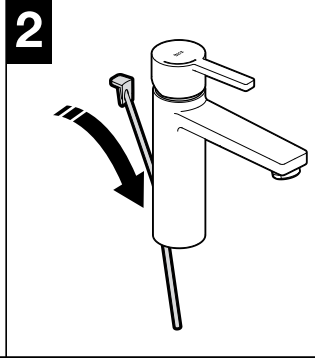
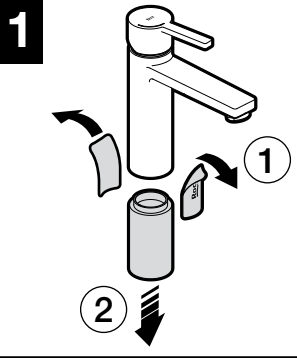
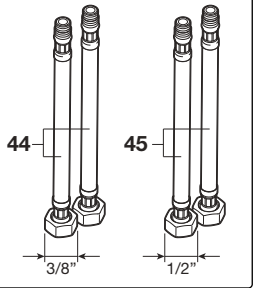
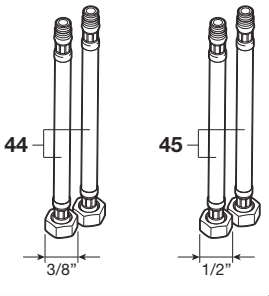
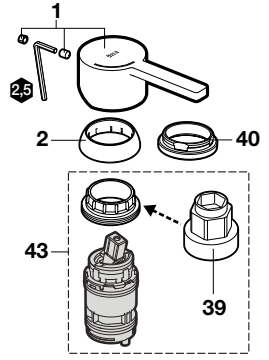
A5A3496



A5A3D96



A5A3796  
A5A3B96



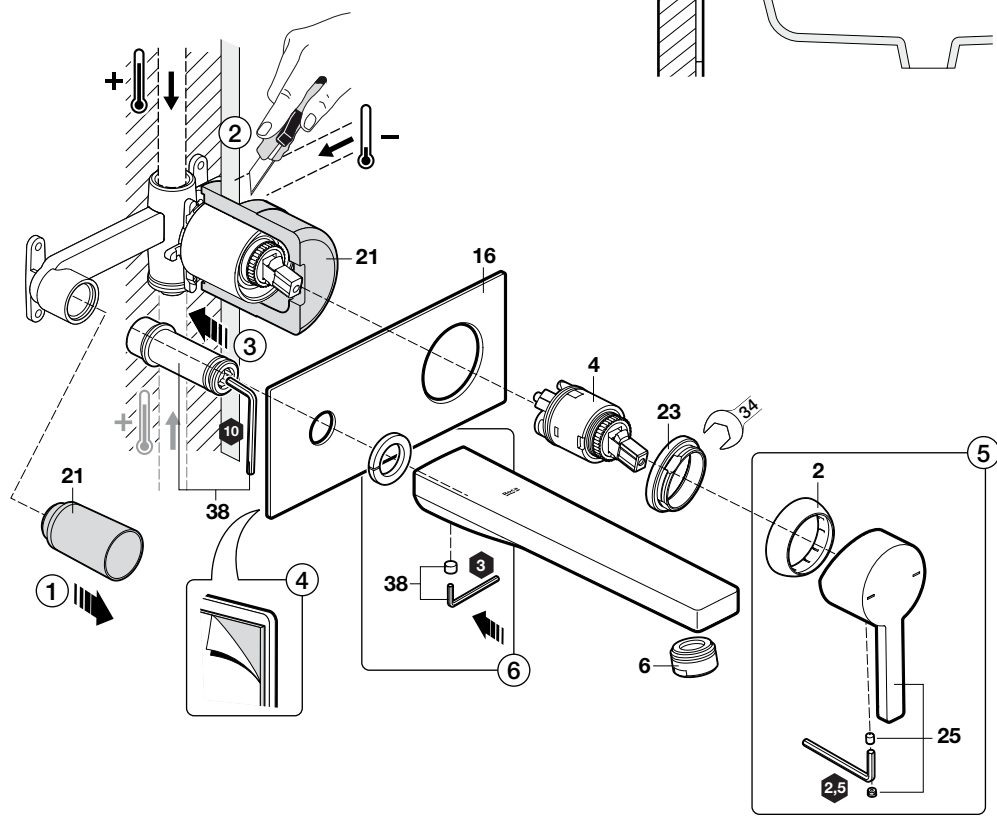
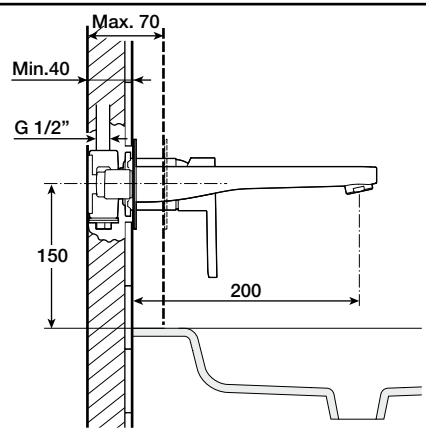
5



A5252206

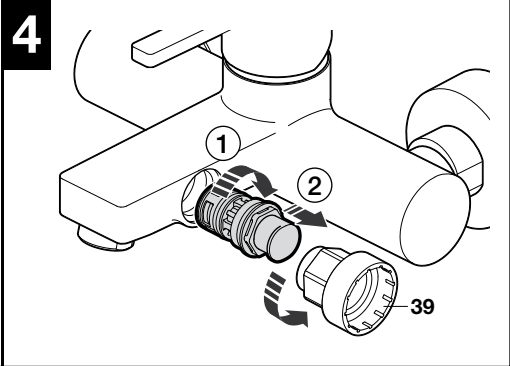
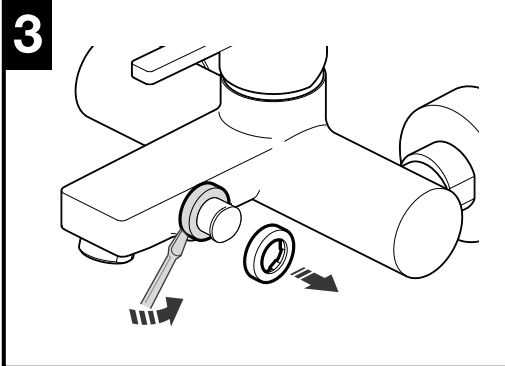
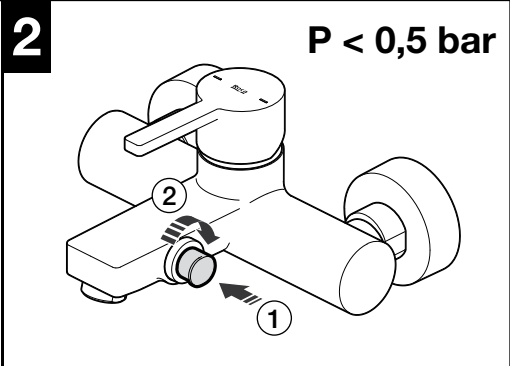
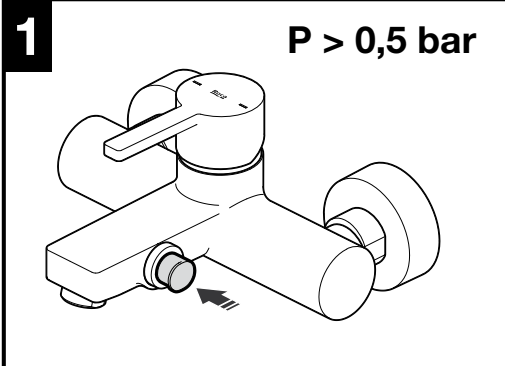
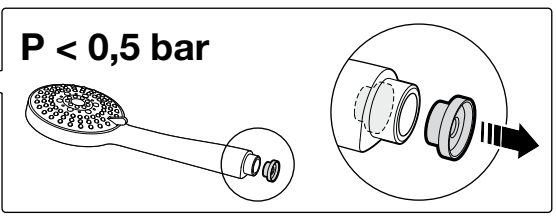
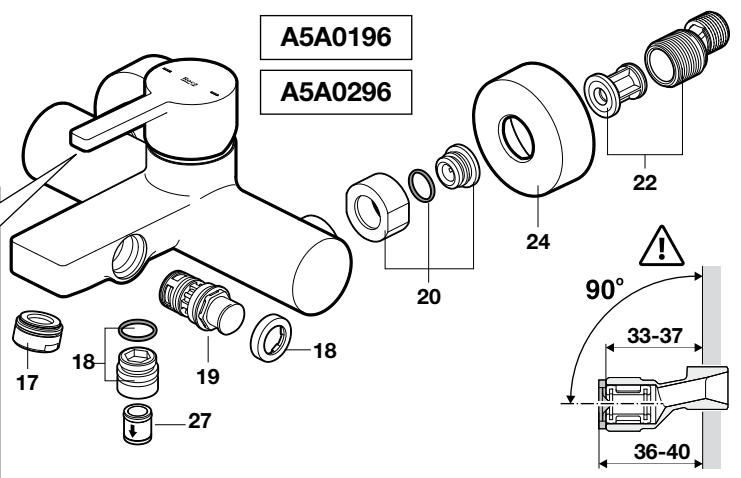
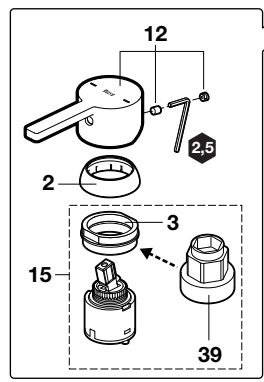
+

A5A3596





A5A0196  
A5A0296

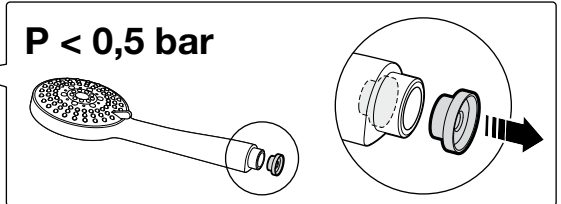
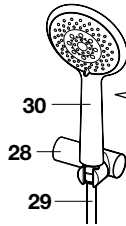
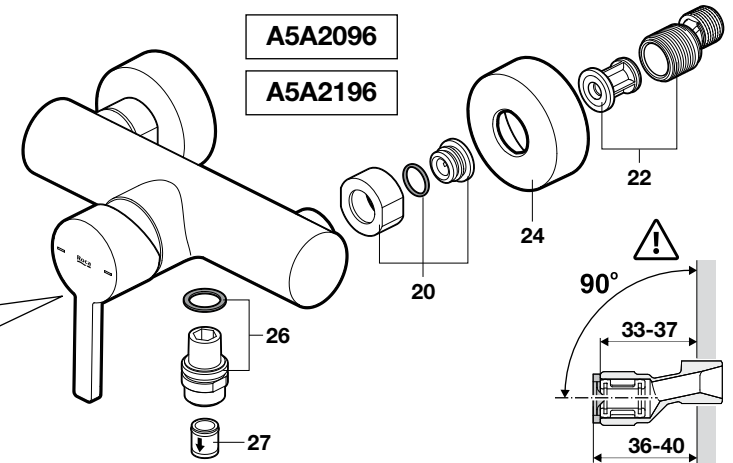
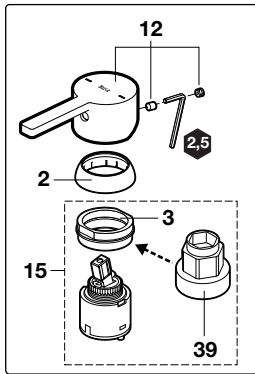




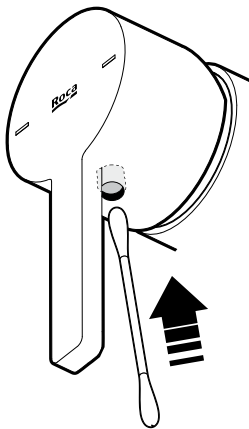


A5A2096

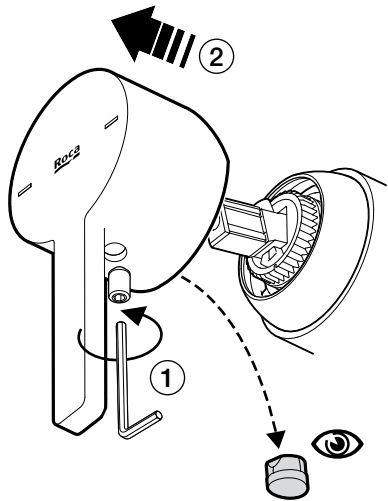
A5A2196



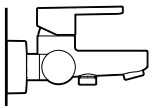
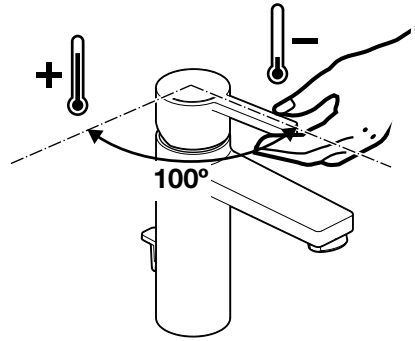
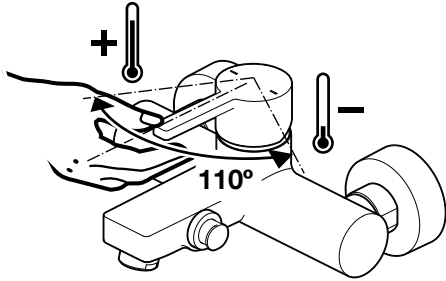
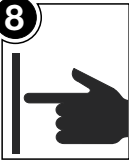
1



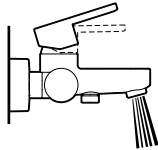
2



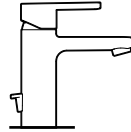
8



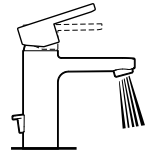
0%



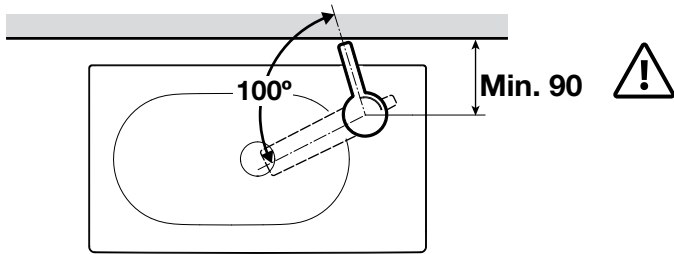
100%



0%



100%



1 - AG01365..R		
2 - AG00853..R		
3 - A525023507		
4 - AG0173300R		
5 - AG0096307R		
6 - AG00466..R		
7 - A525020600		
8 - AG0136603R		
9 - AG0096200R		
10 - AG0075300R		
11 - AG0096409R	L-470	
12 - AG01269..R		
13 - A525003507	CROMO / CHROME	
13 - AG01966..R		
14 - AG01368..R		
15 - AG0110607R		
16 - AG01372..R		
17 - A525003600	CROMO / CHROME	
17 - AG02128..R		
18 - A525024200	CROMO / CHROME	
18 - AG02130..R		
19 - A525023600	CROMO / CHROME	
19 - AG02129..R		
20 - AG02131..R		
21 - AG0001907R		
22 - AG0103908R		
23 - AG0142100R		
24 - AG01168..R		
25 - AG01370..R		
26 - AG00368..R		
27 - A525005507		
28 - AG0003700R		
29 - A525009800		
30 - A5B1B03..0		
31 - AG0117207R		
32 - AG0136700R		
33 - AG0126009R	L-600	
34 - AG0136903R		
35 - AG0033300R		
36 - A525004600		
37 - AG0117300R		
38 - AG0155000R		
39 - A525005407		
40 - AG0163900R		
41 - AG0159300R		
42 - A5054009..		
43 - AG0200700R		
44 - AG0096509R	L-600	
45 - AG0125909R	L-600	

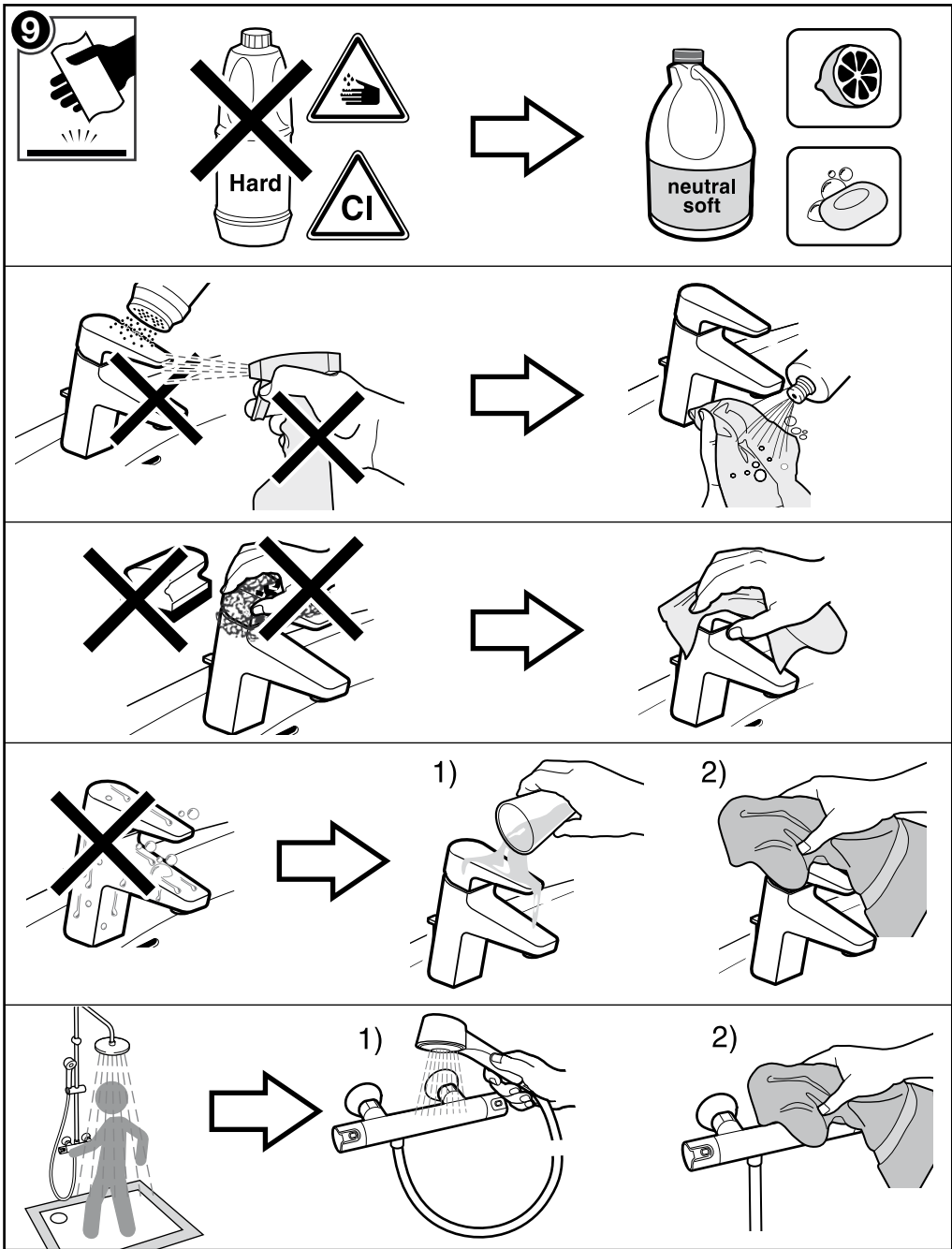
CÓDIGO / CODE

000000 0

ACABADO / FINISH



[www.roca.net](http://www.roca.net)



AS23087 407p



Roca Sanitario, S.A.  
 Avda. Diagonal, 513  
 08029 Barcelona  
 SPAIN  
 www.roca.com

**933** LÍNEA DE ATENCIÓN  
**661** AL CONSUMIDOR  
**266** ESPAÑA  
 SERVICIO TÉCNICO  
 ESPAÑA



productsupport.rs@roca.net  
 soporteproducto.rs@roca.net