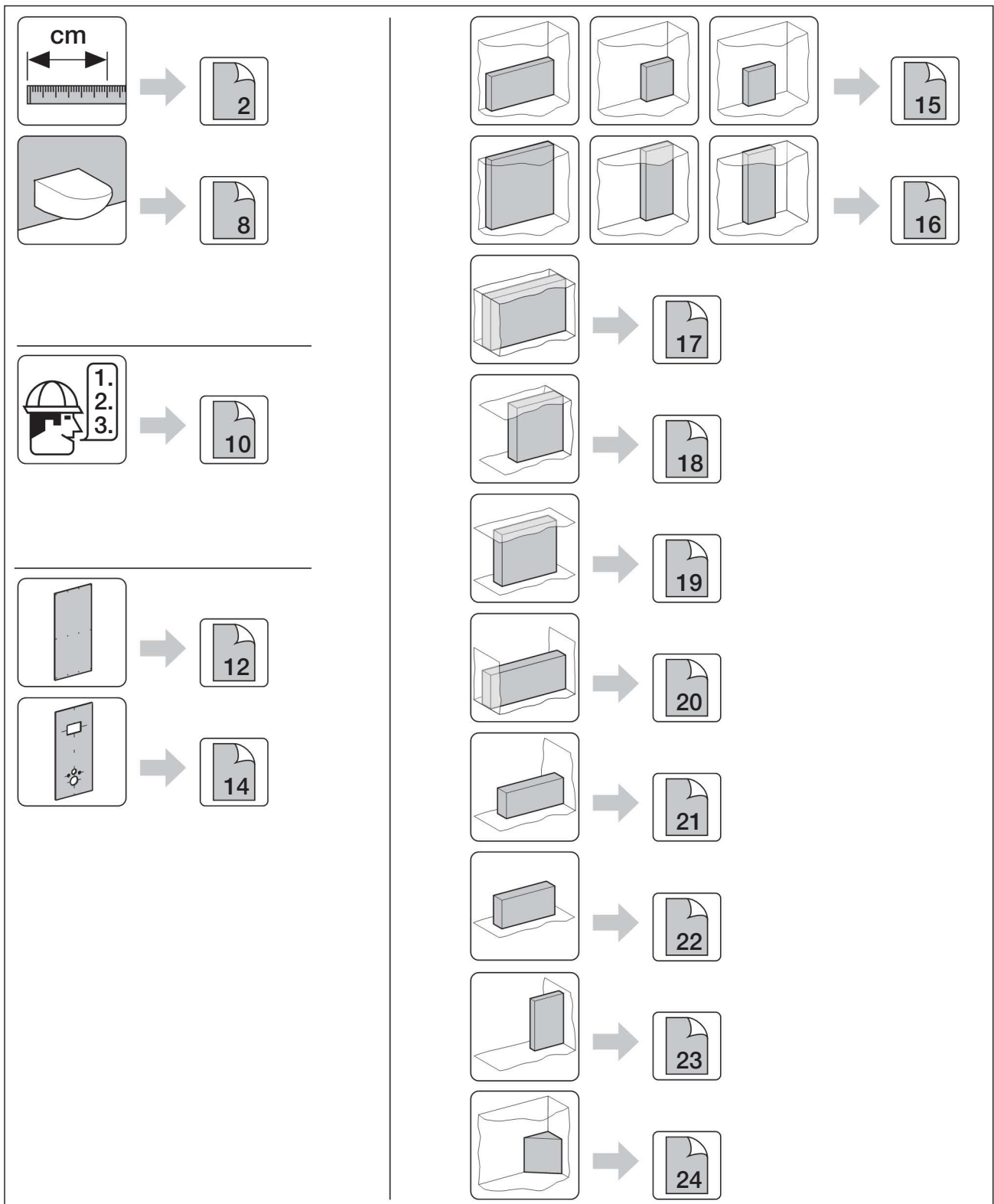
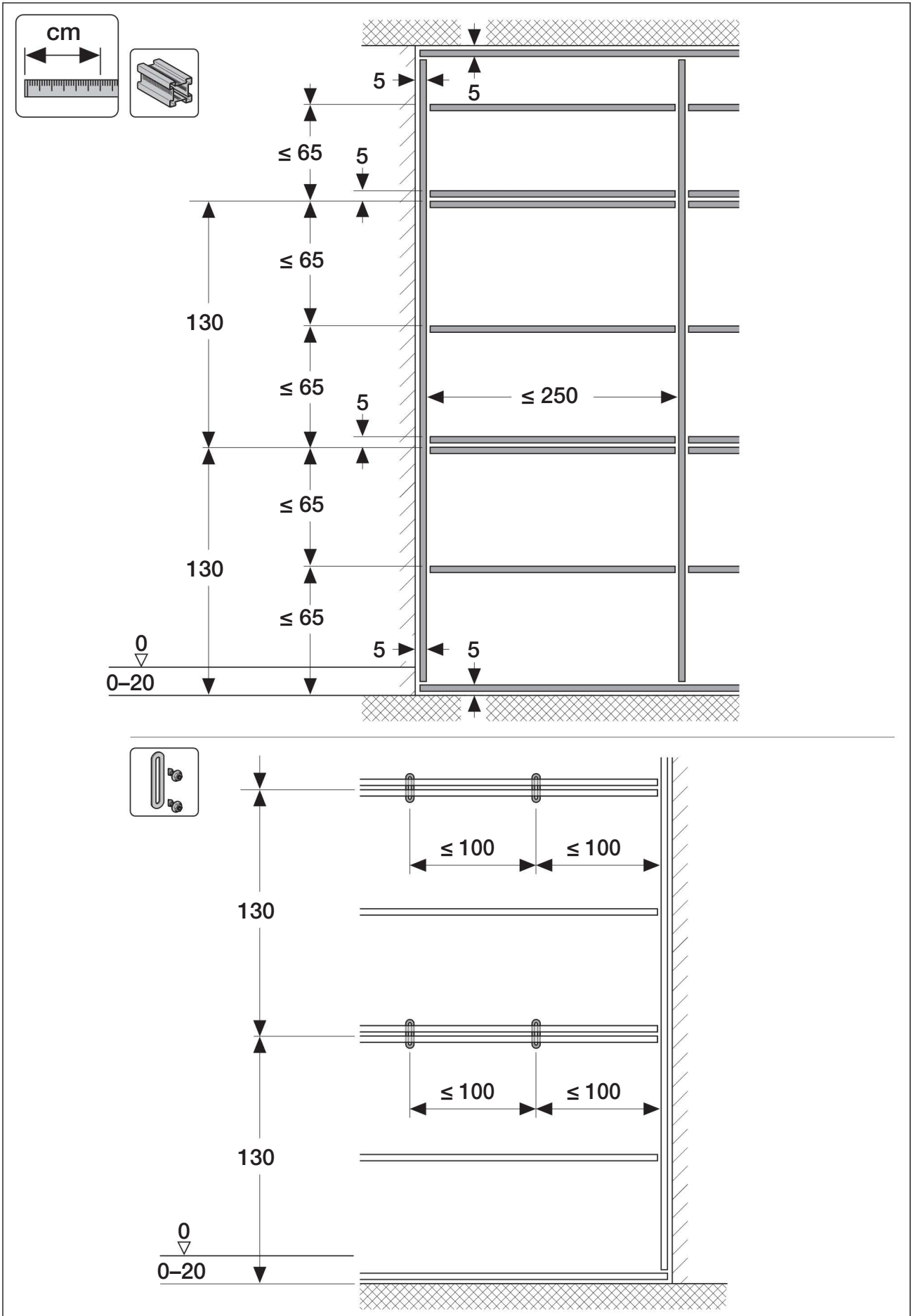
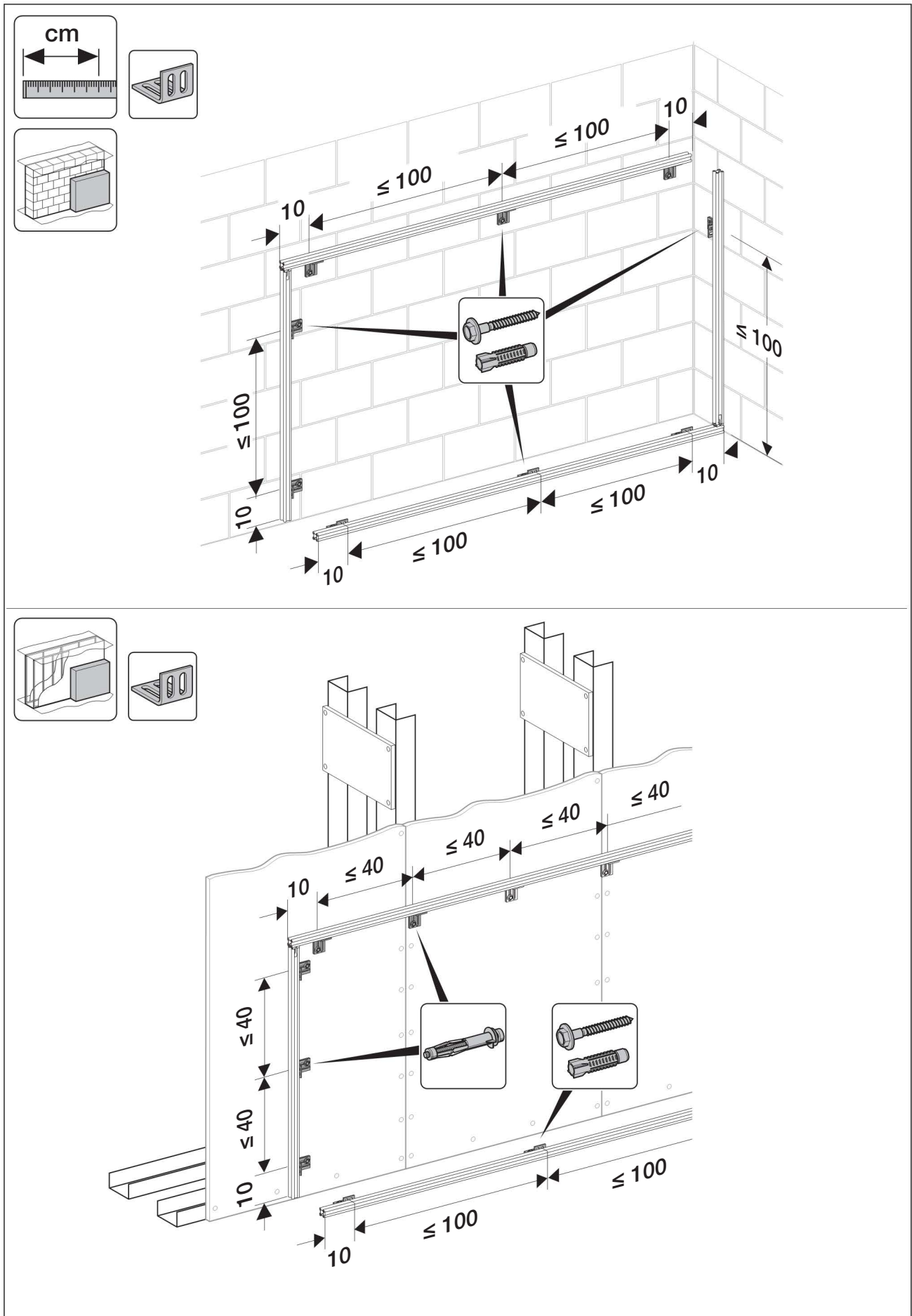


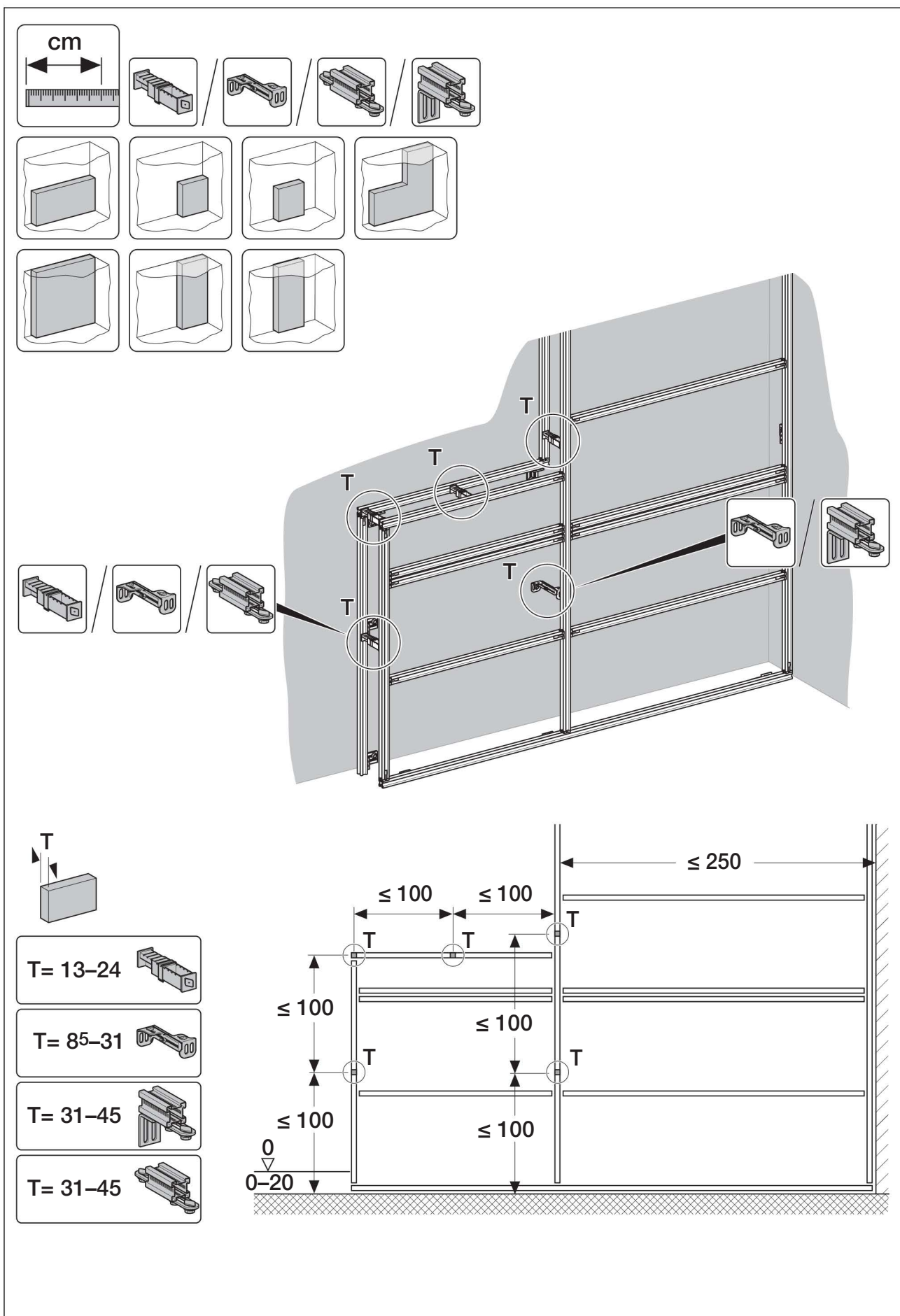
GIS System

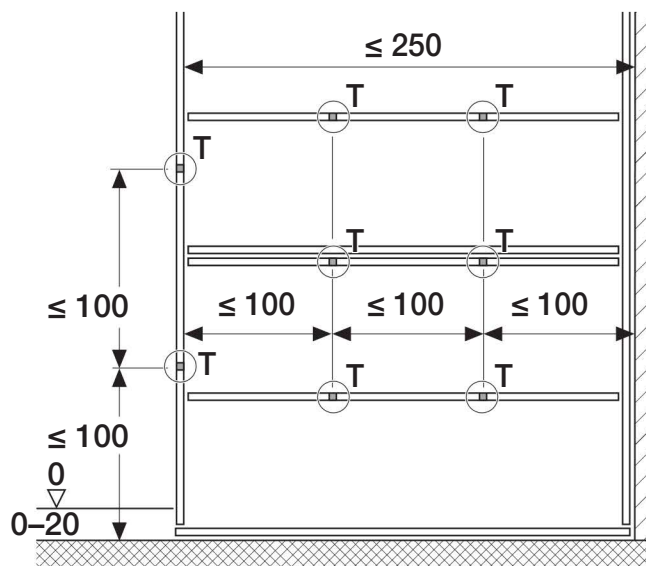
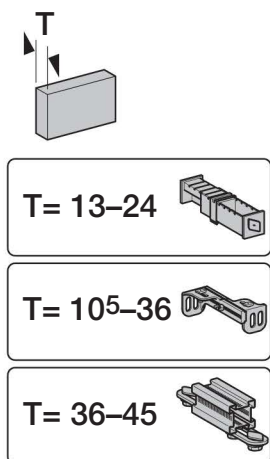
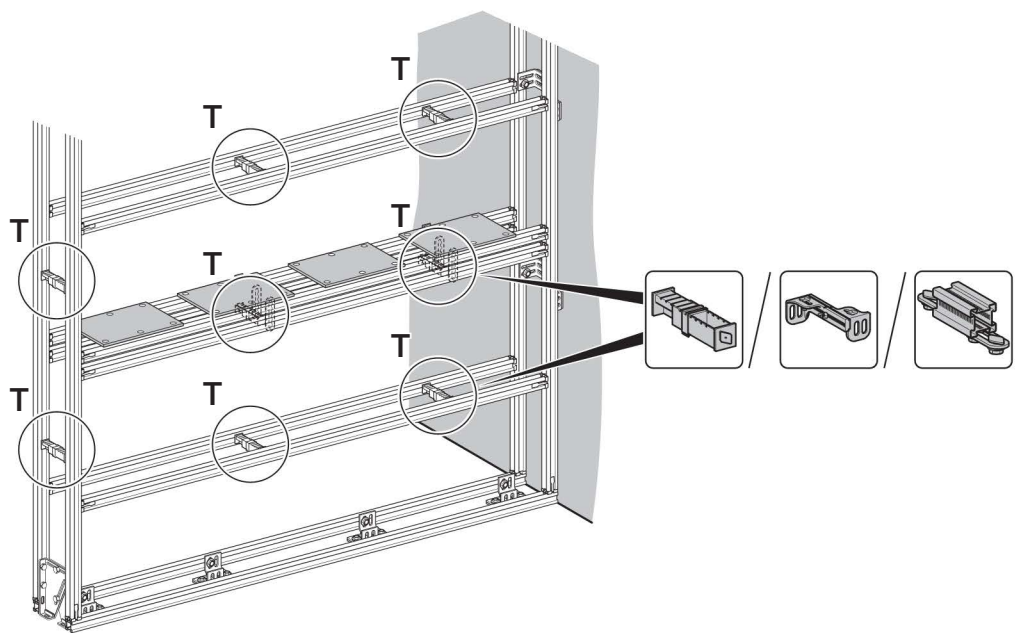
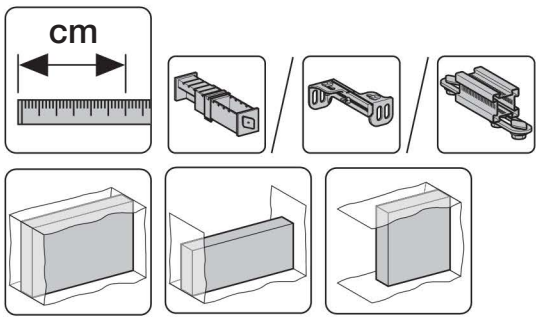


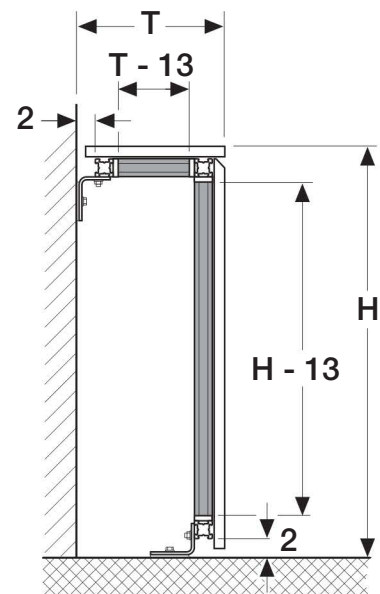
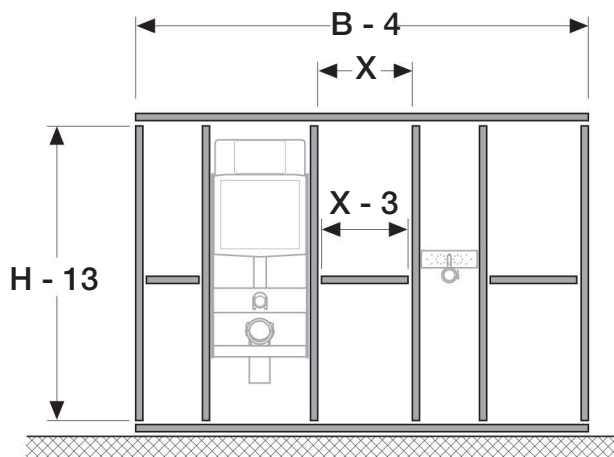
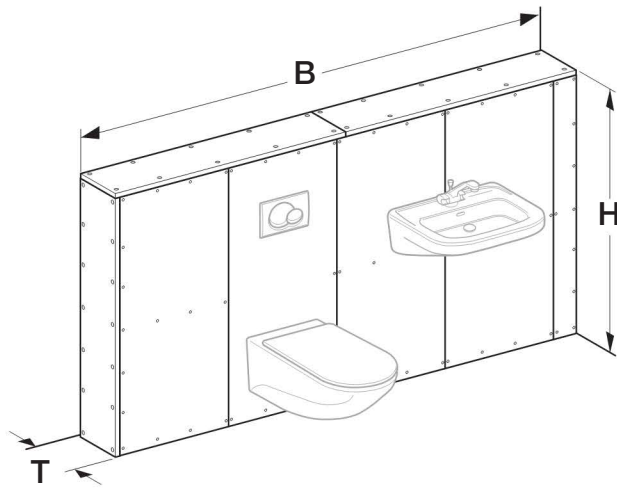
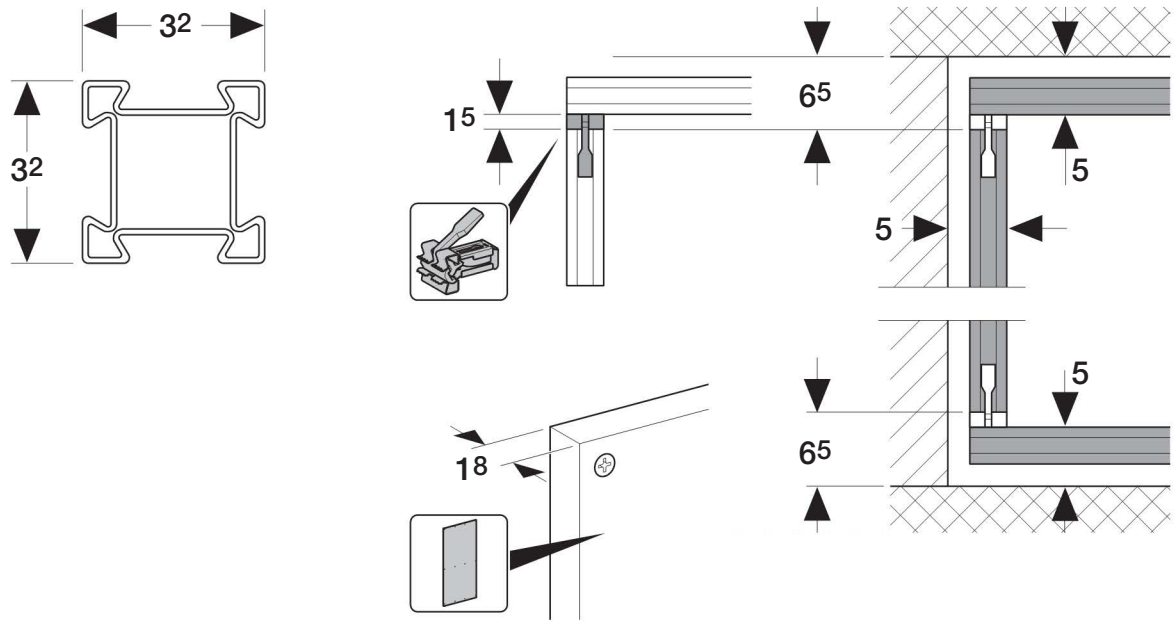
	≤ 500	∞	≤ 45
	≤ 360	∞	≤ 45
	≤ 450	≤ 350	≤ 45
	≤ 360	≤ 250	≤ 45
	≤ 150	≤ 250	≤ 44
	≤ 200	≤ 100	≤ 45

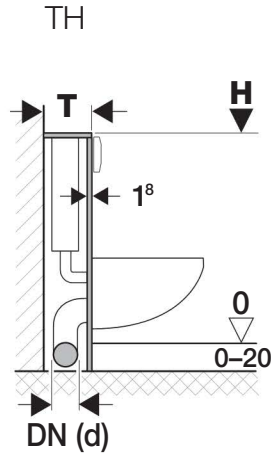
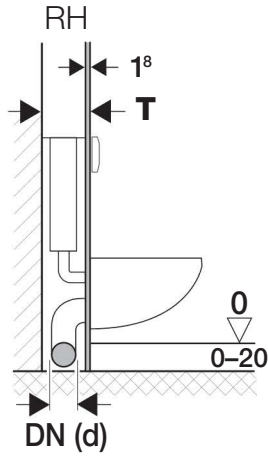
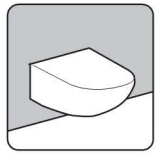




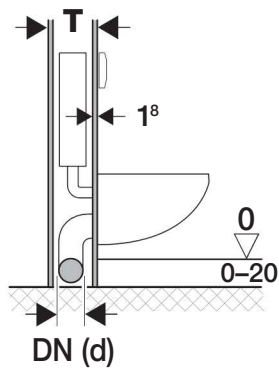




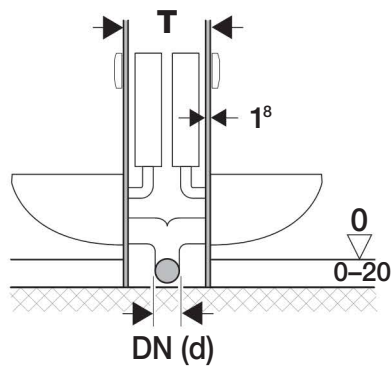




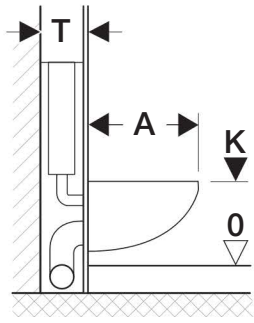
[cm]	T			H
	DN 50 (d 63) <small>56/63</small>	DN 80 (d 90) <small>75/90</small>	DN 100 (d 110) <small>110</small>	
	-	165	185	≥ 114
	-	RH 205	RH 205	↓ 87-100 ← 87-114
	-	TH 225	TH 225	
	13	16	18	≥ 87
	13	16	18	≥ 114 ≥ 142



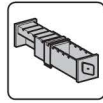
[cm]	T		
	DN 50 (d 63) <small>56/63</small>	DN 80 (d 90) <small>75/90</small>	DN 100 (d 110) <small>110</small>
		215	235
		255	255
	18	21	23
	18	21	23



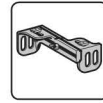
[cm]	T		
	DN 50 (d 63) <small>56/63</small>	DN 80 (d 90) <small>75/90</small>	DN 100 (d 110) <small>110</small>
		29	31
		39	39
		24	24
		30	30
	18	20	22
	18	20	22



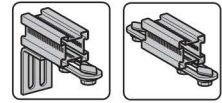
T = 16⁵-24



T = 16⁵-31



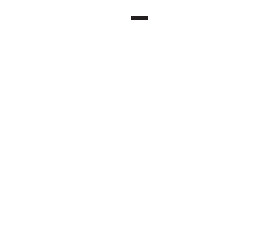
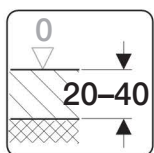
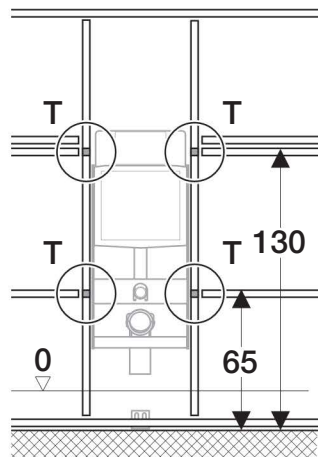
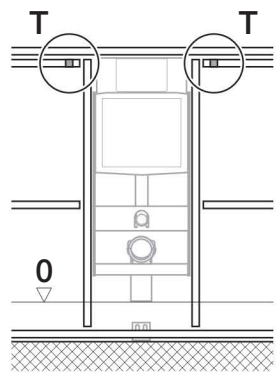
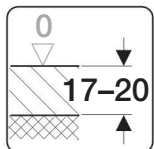
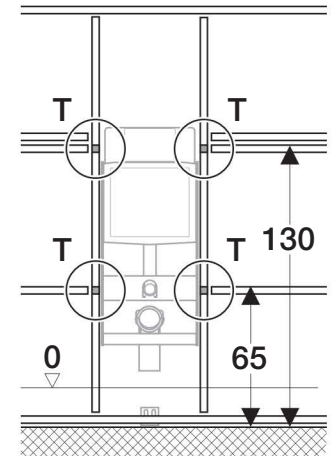
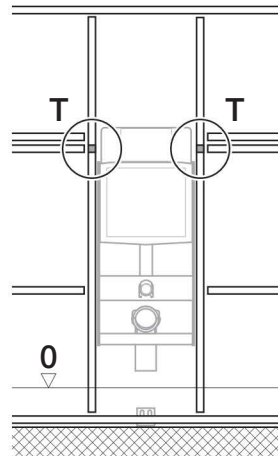
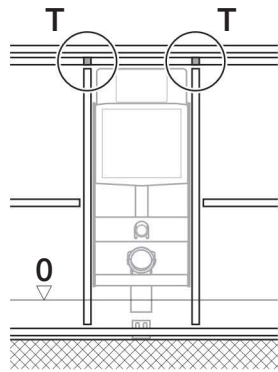
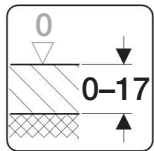
T = 16⁵-45

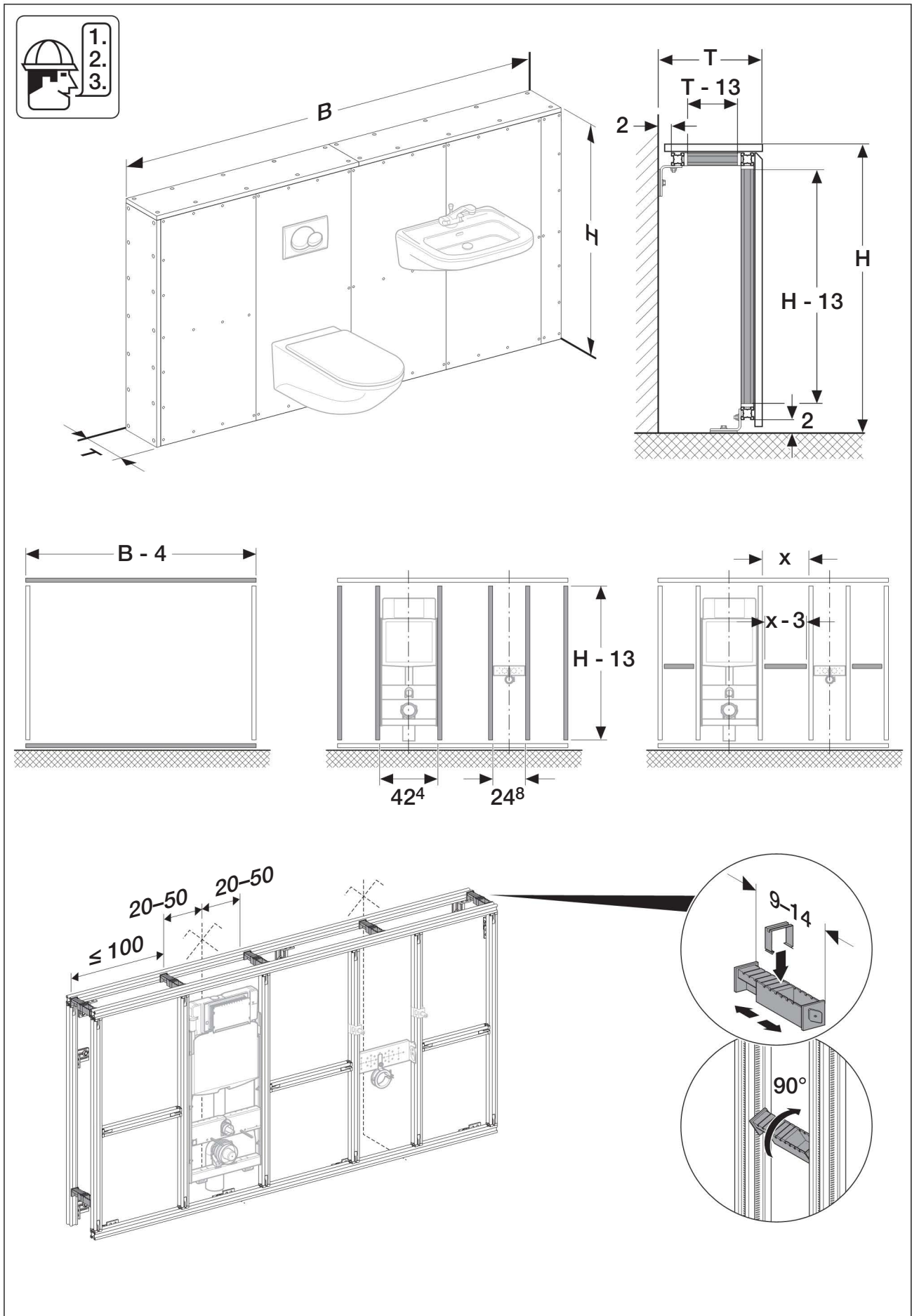


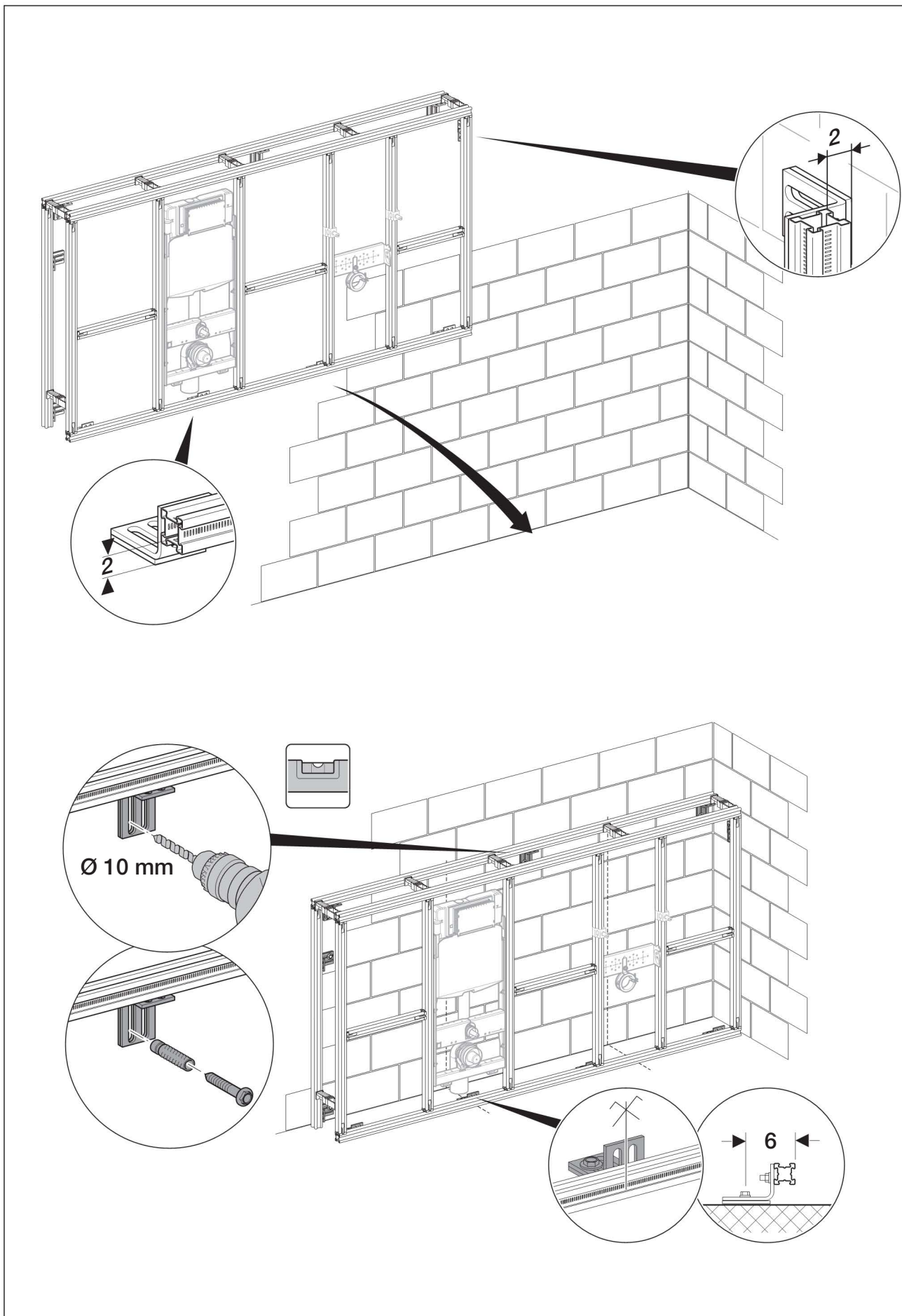
A ≤ 62
K = 41⁺²₋₁

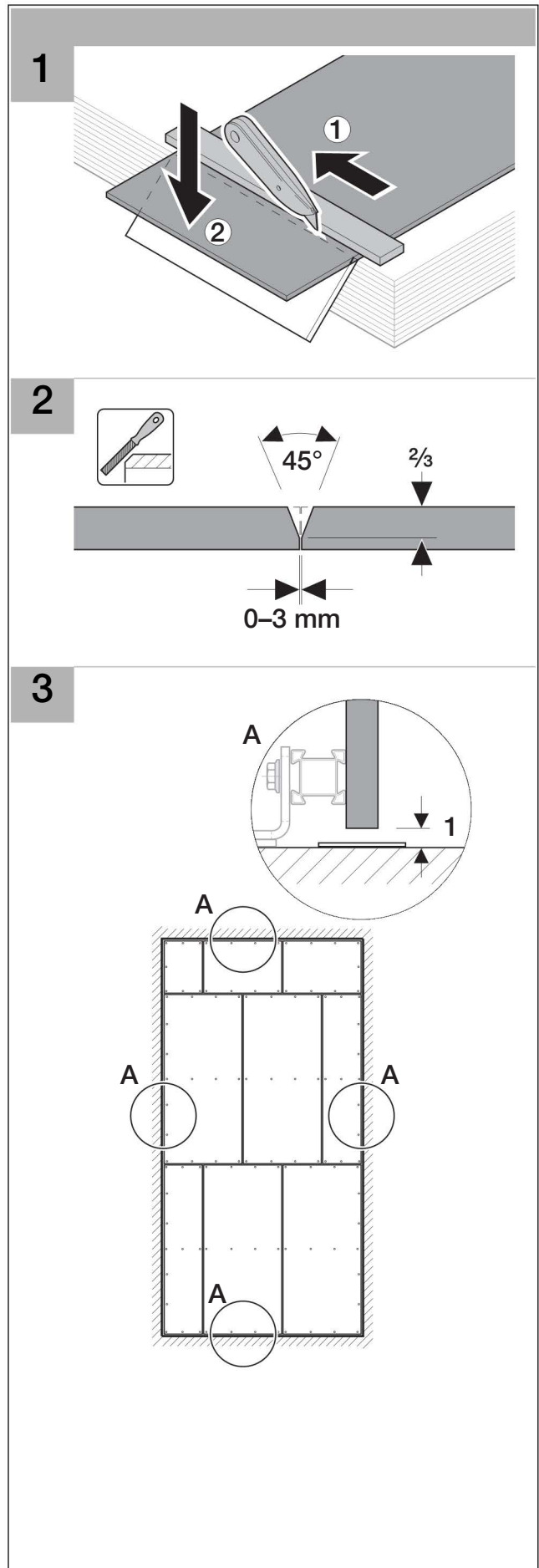
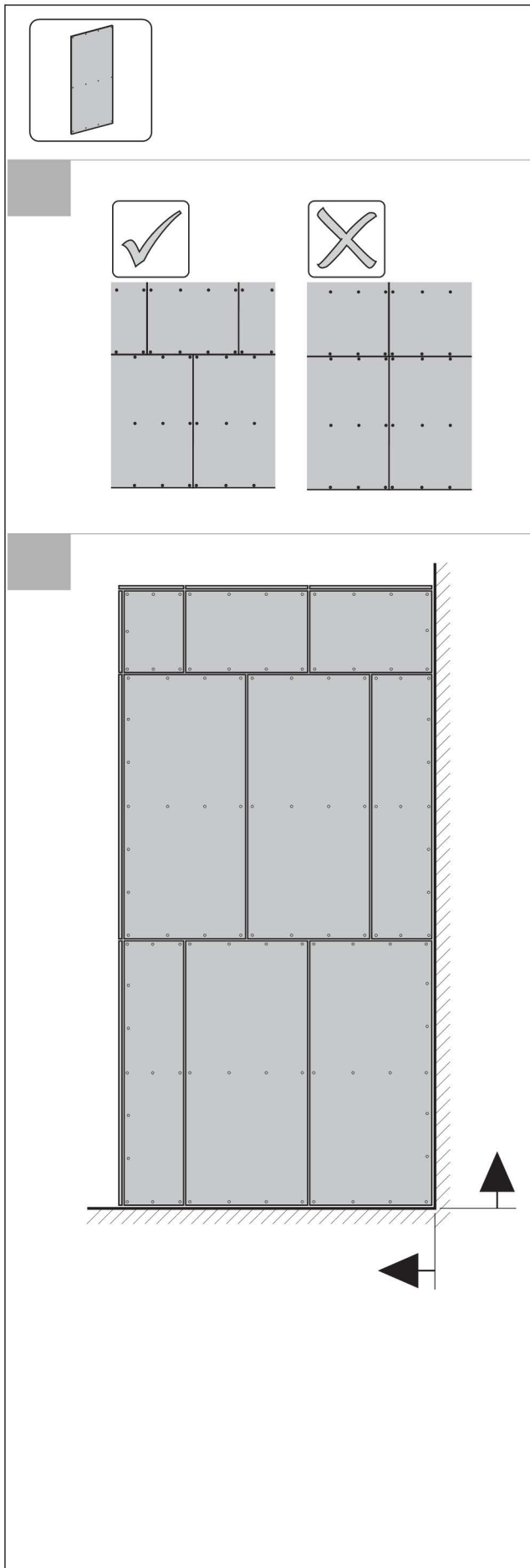
A ≤ 62
K = 44-52

A ≤ 70
K = 44-52

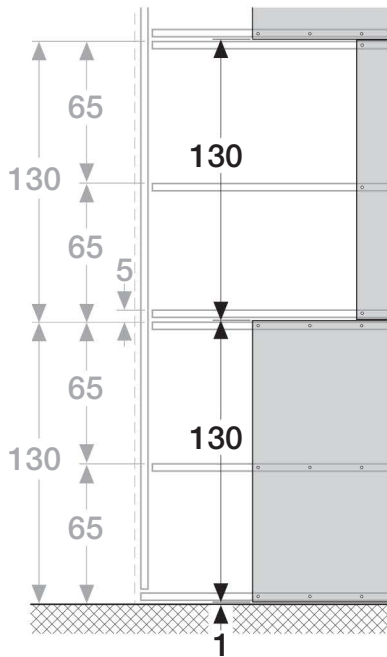




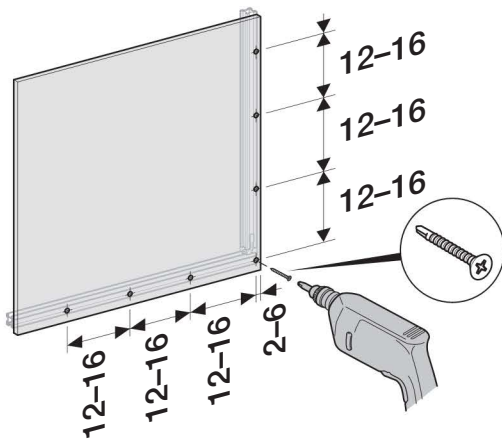




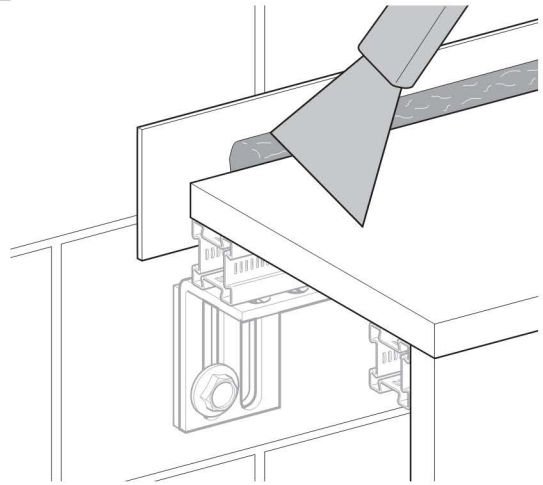
4



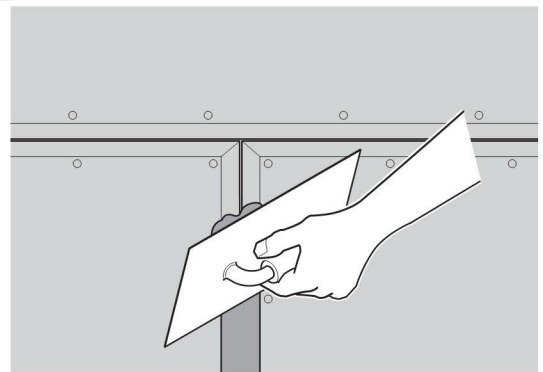
5

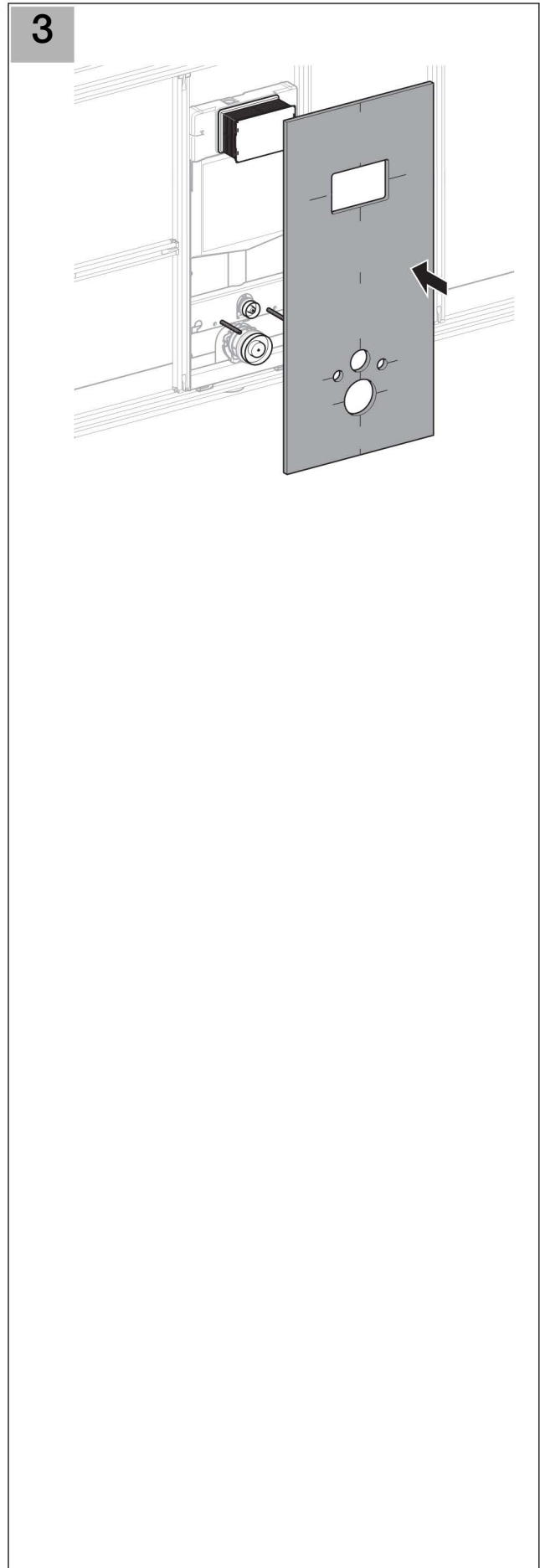
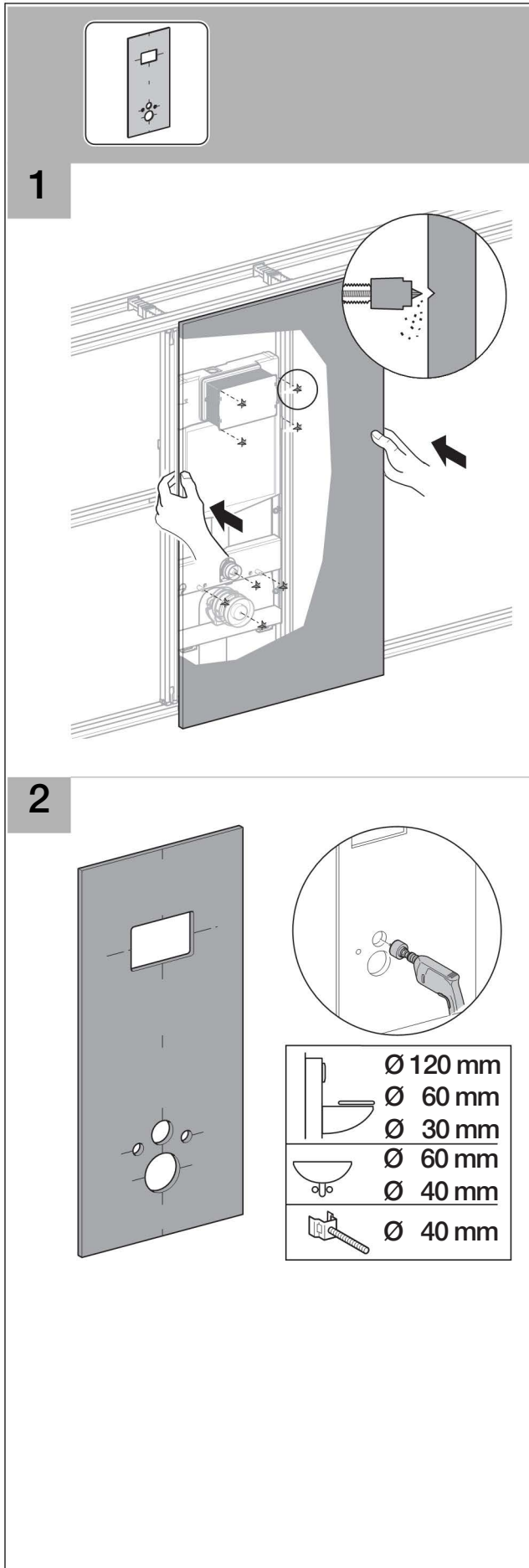


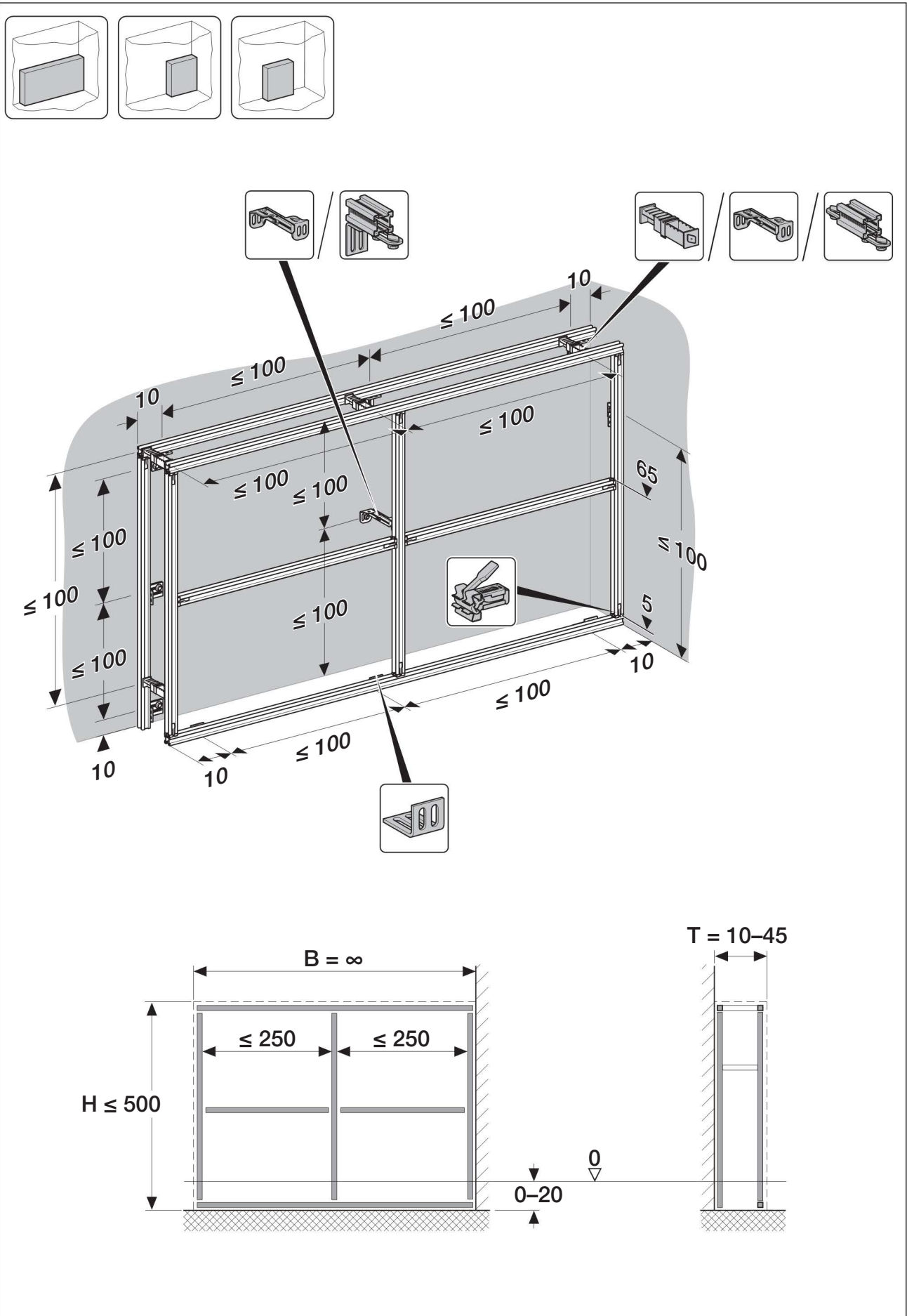
6

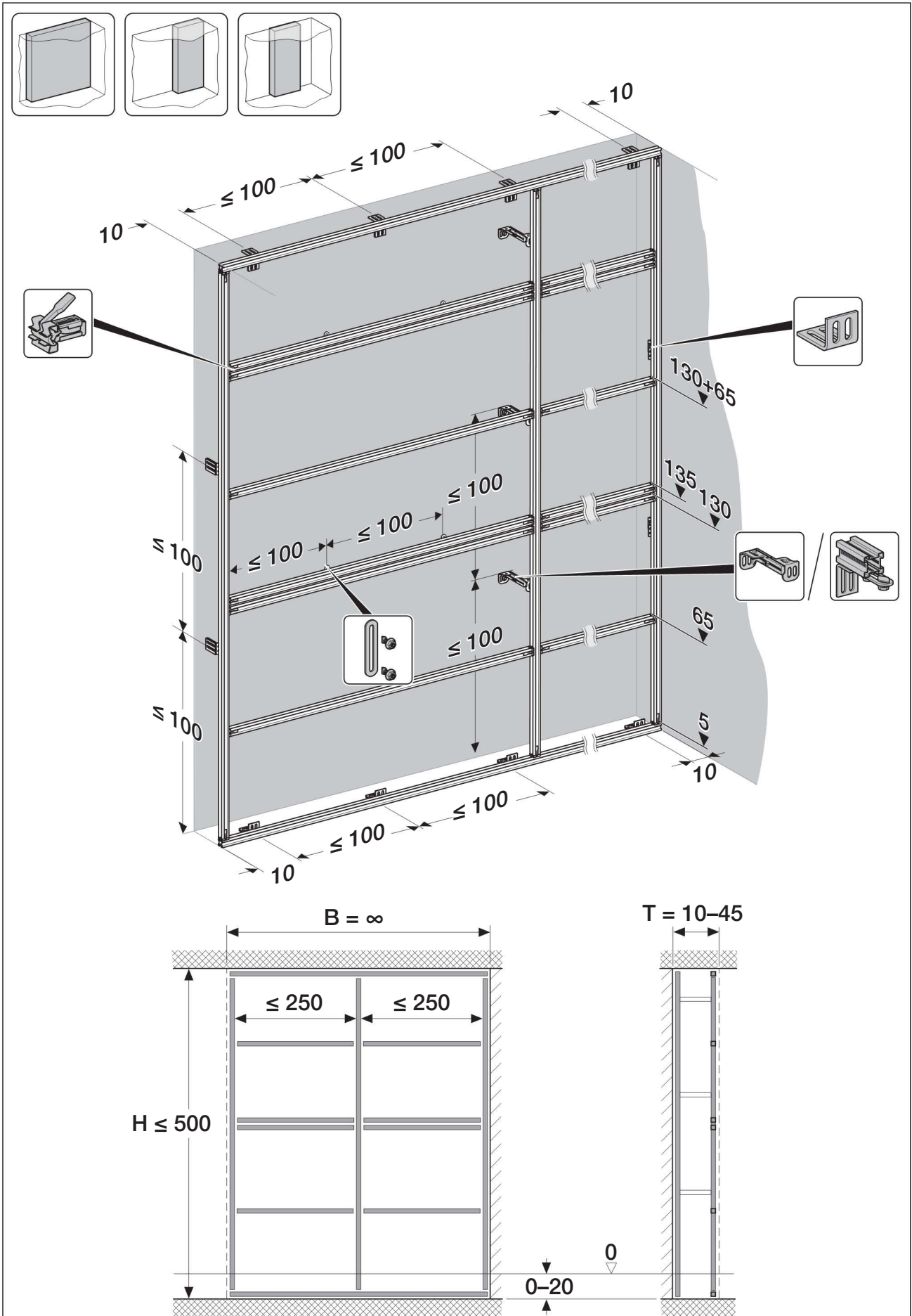


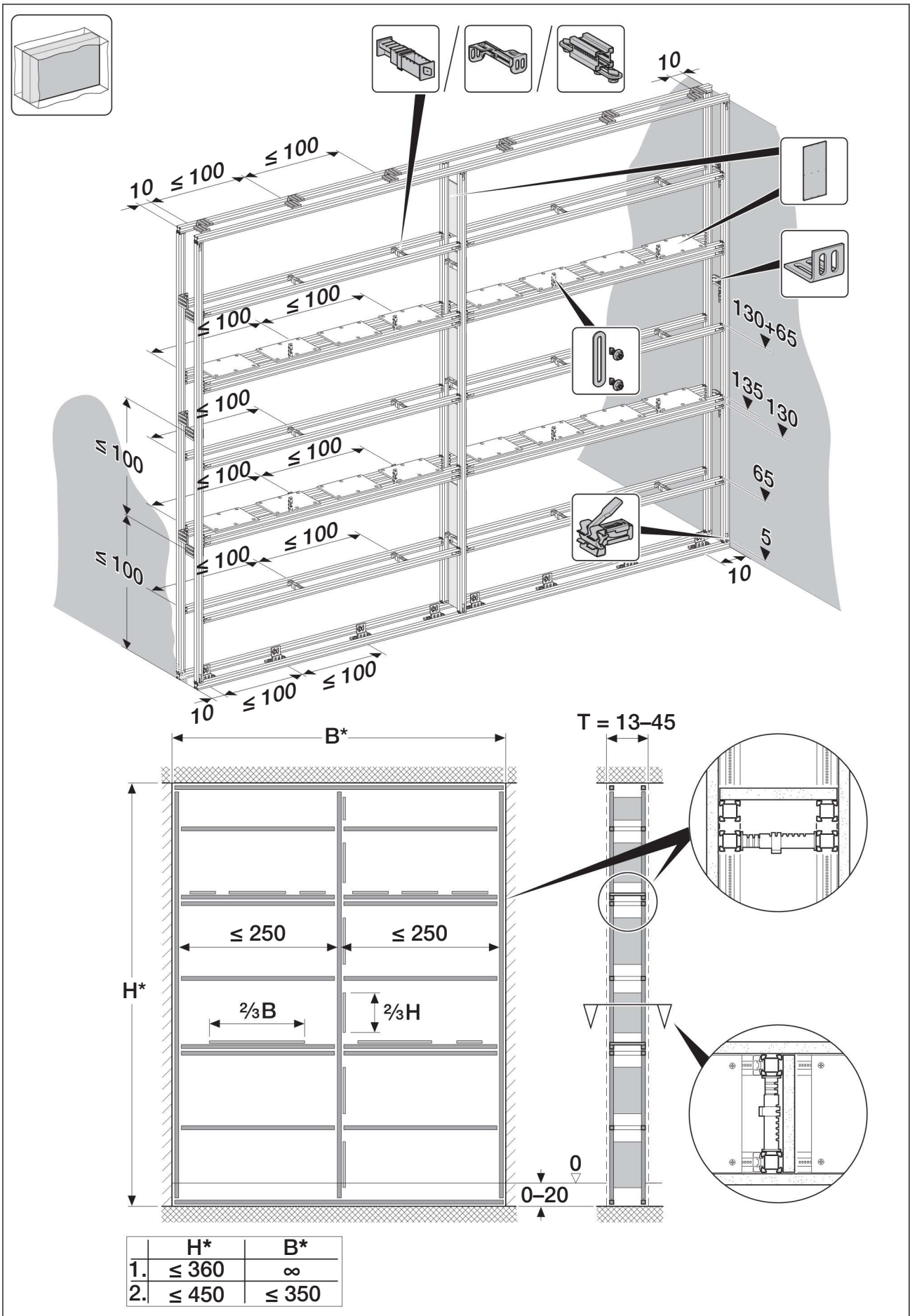
7



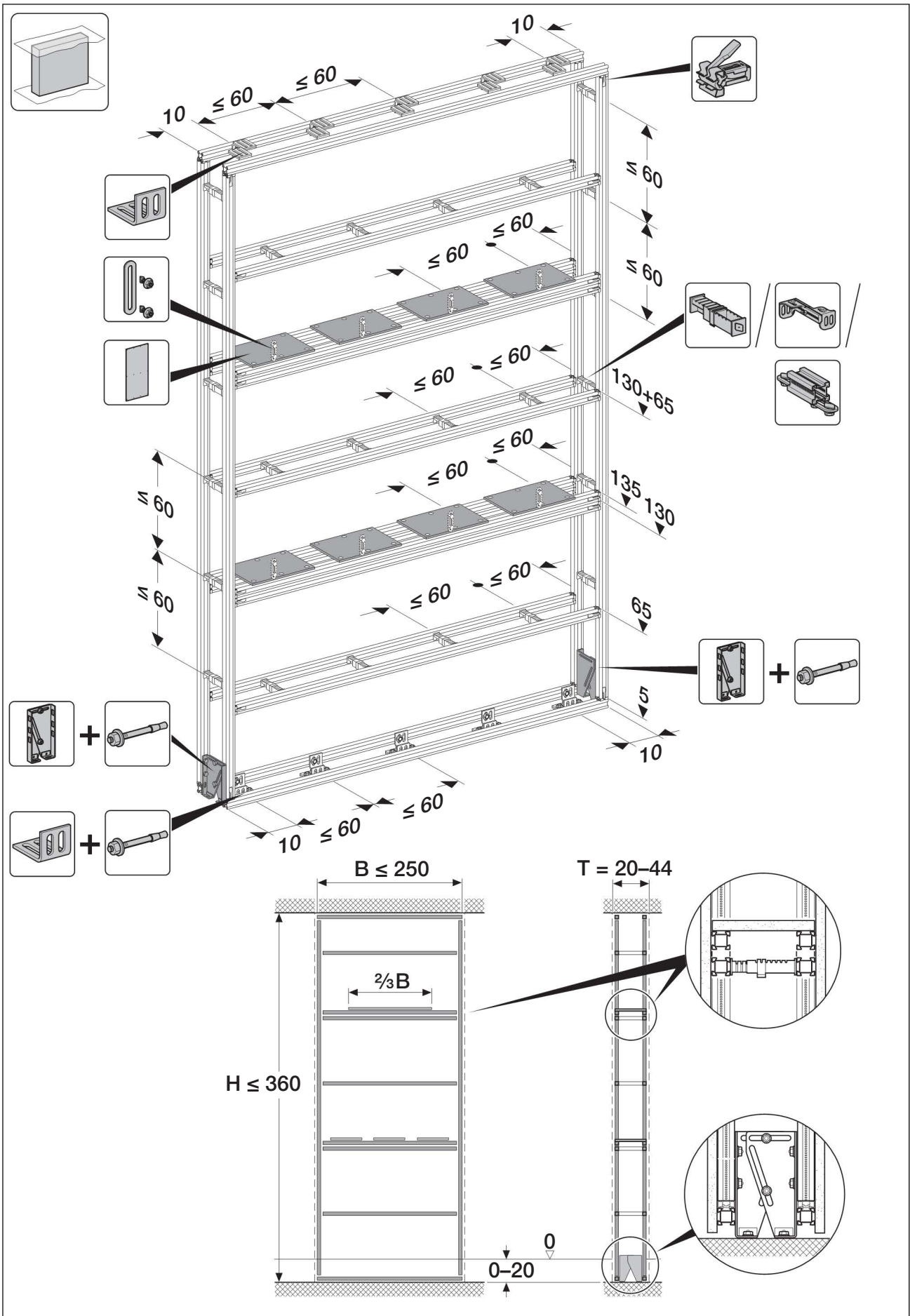


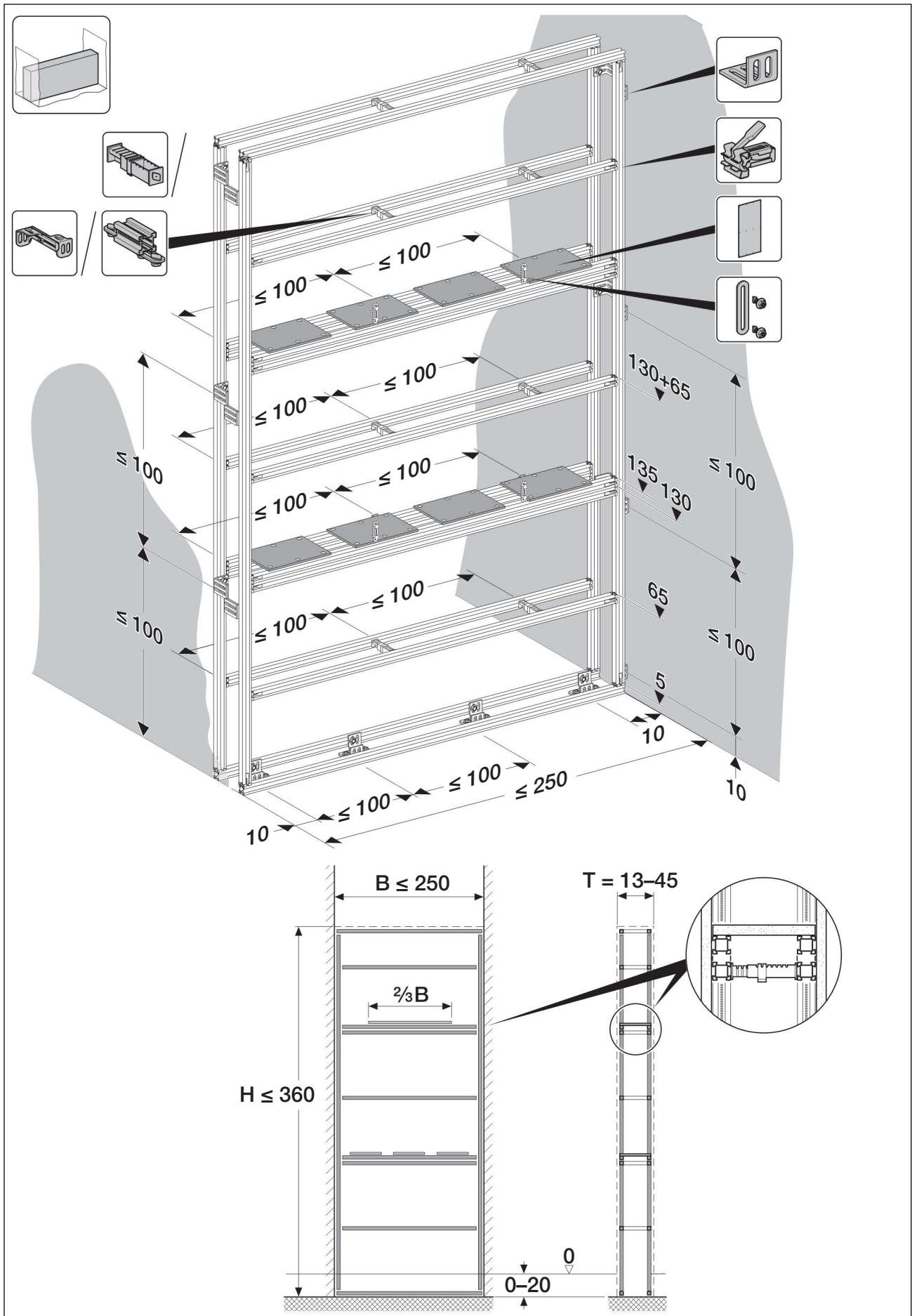


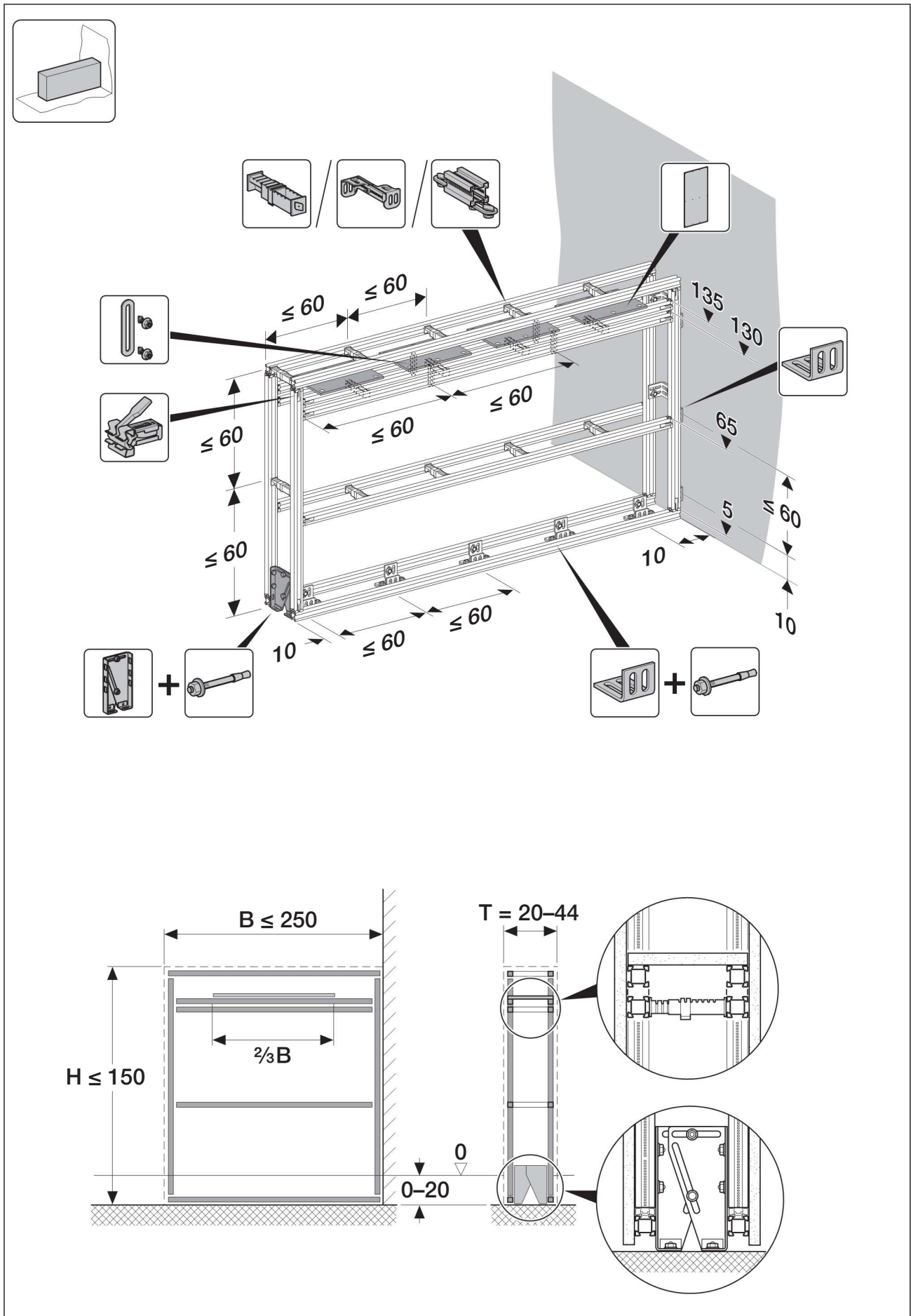


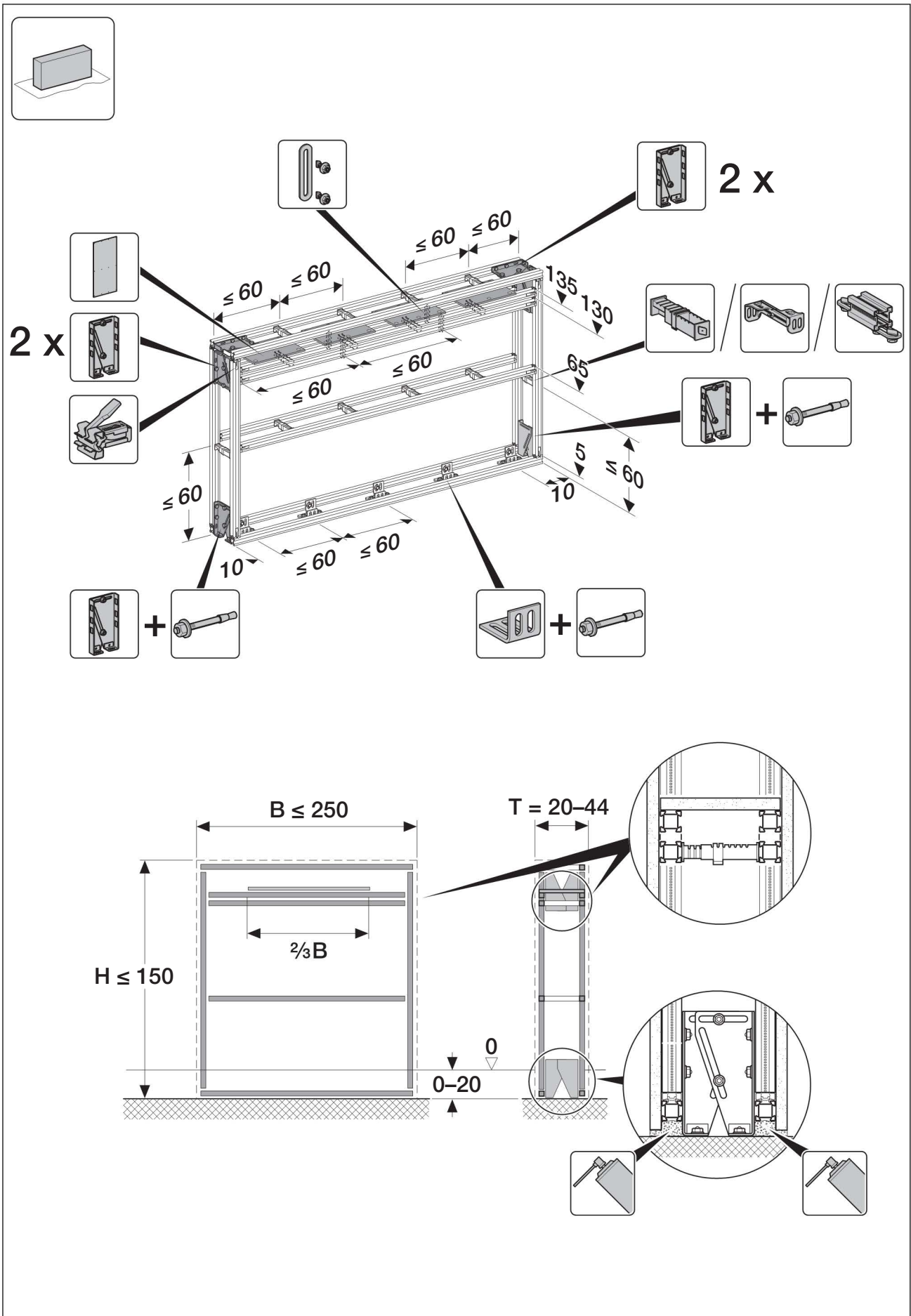


Installation

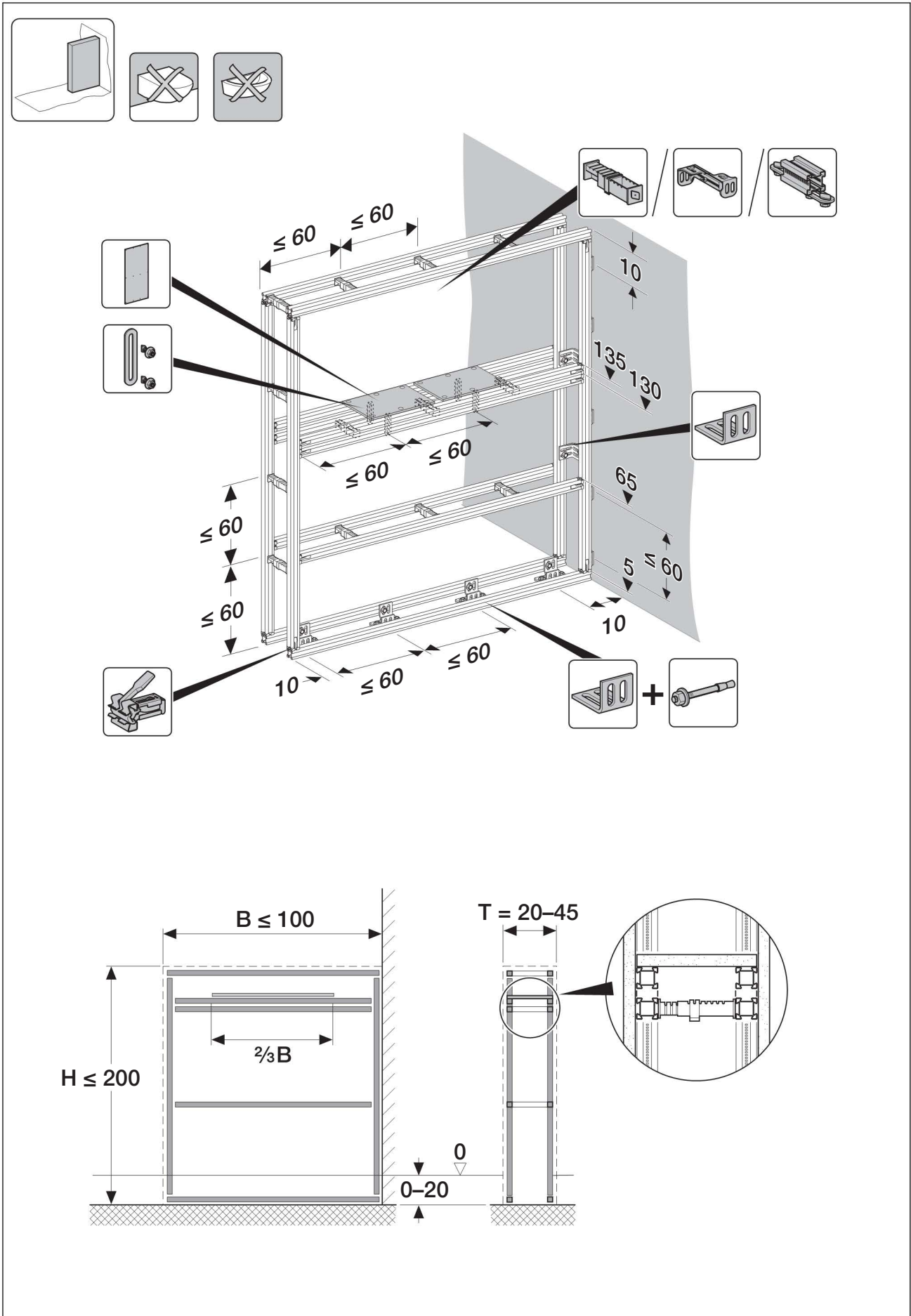


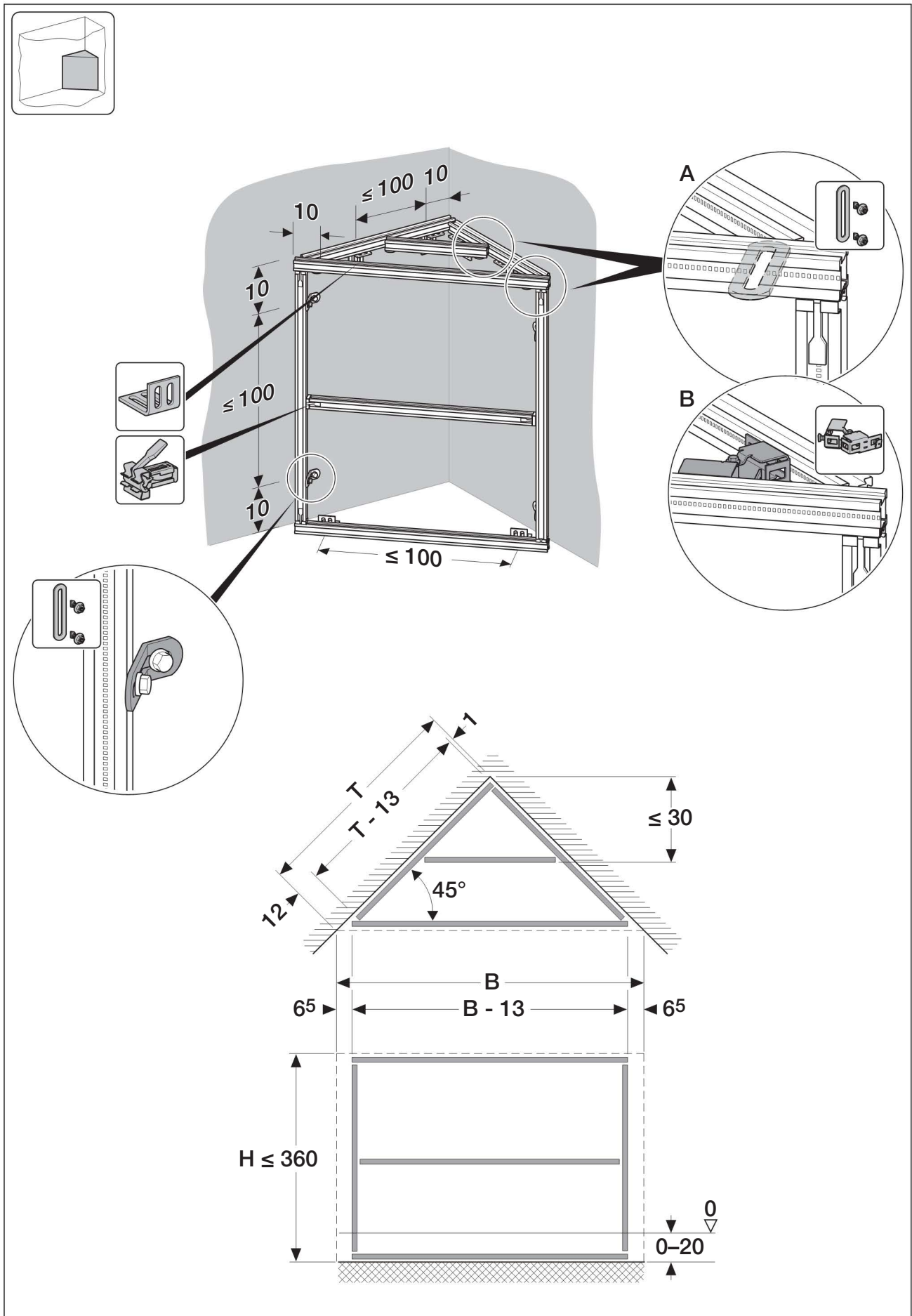






D15309-002 © 10-2010





D15309-002 © 10-2010