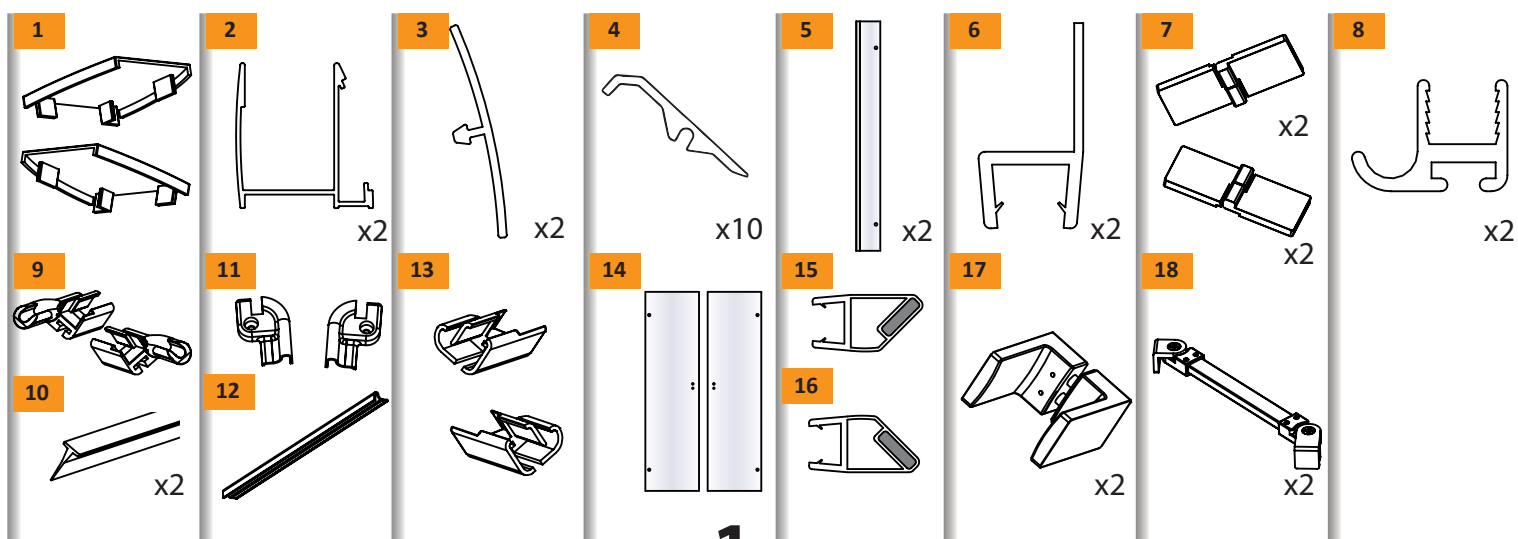
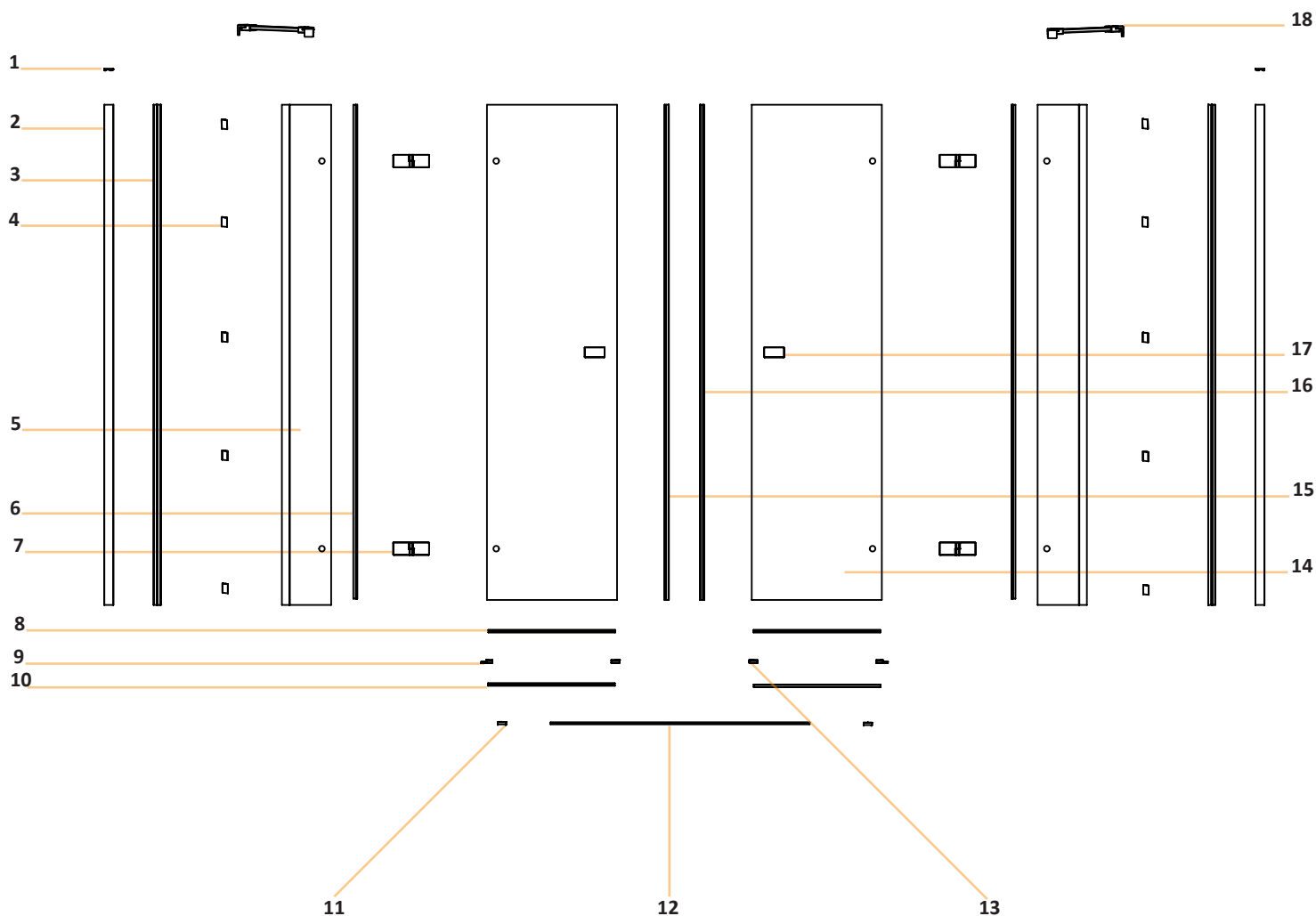
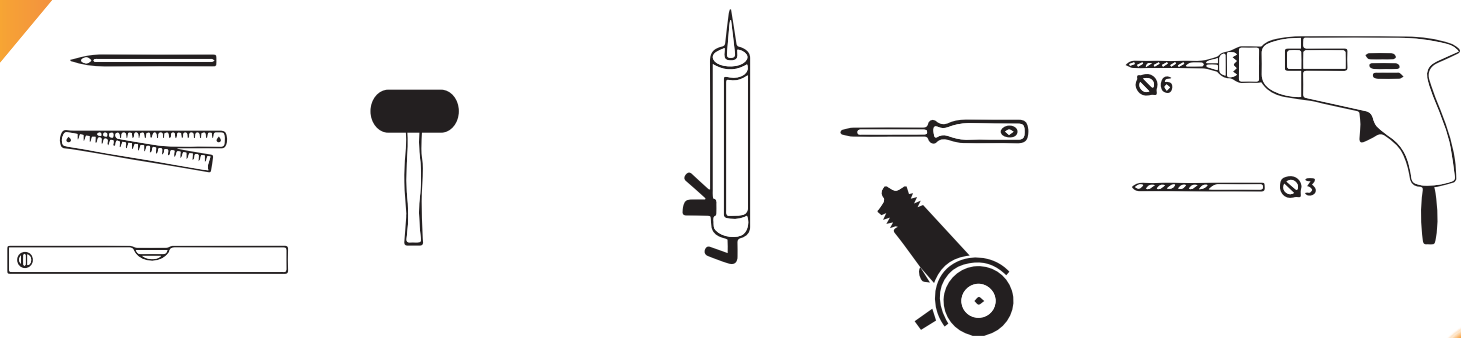


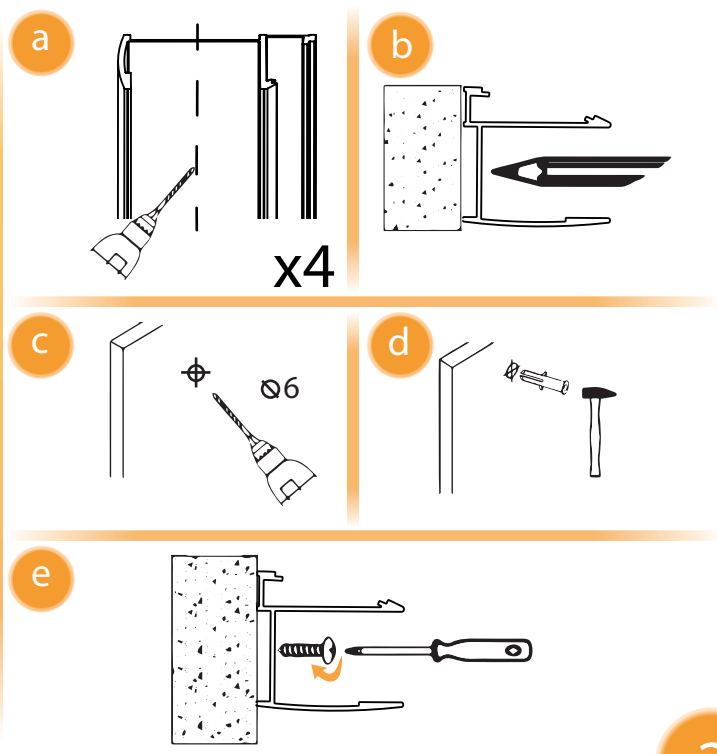
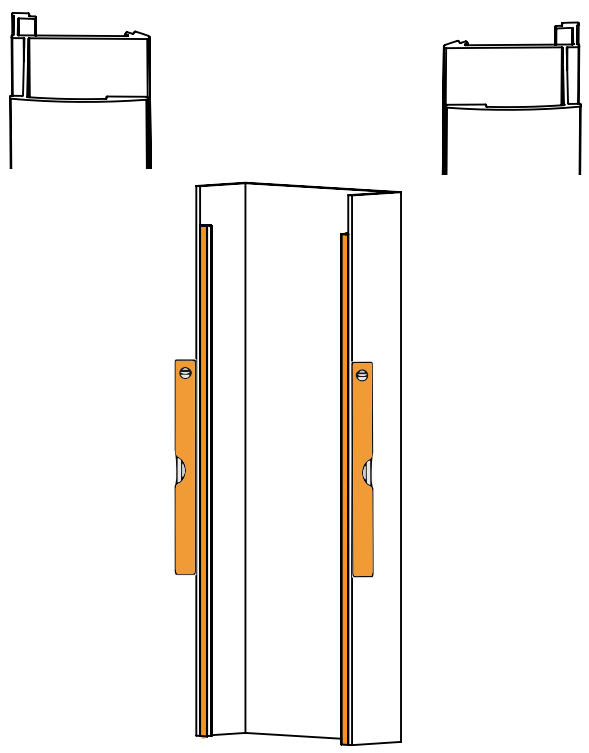


## REFLEXA

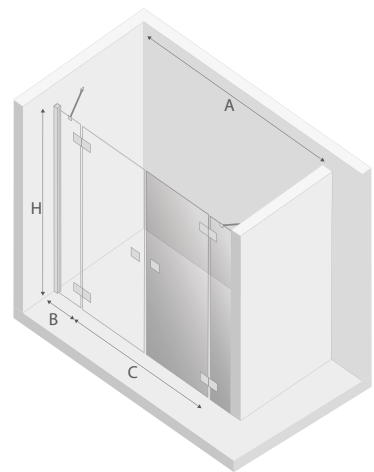




1



2

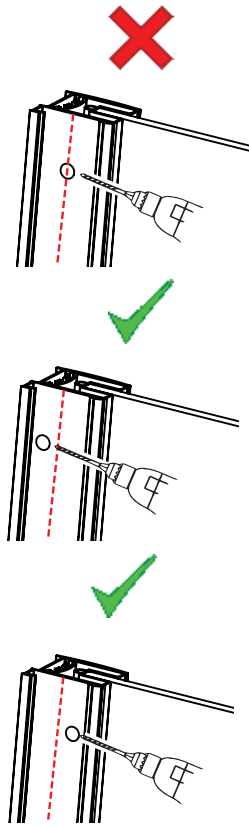
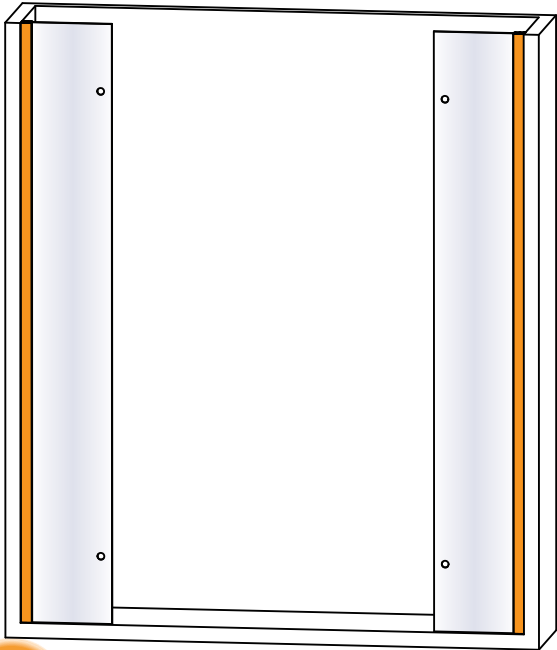


		A	B	C	H
EXK- 1204/EXK- 1205	150x200	148,5- 151	21	106	200
EXK- 1206/EXK- 1207	170x200	168,5- 171	31	106	200
EXK- 1208/EXK- 1209	190x200	188,5- 191	31	126	200
EXK- 1210/EXK- 1211	210x200	208,5- 211	41	126	200
EXK- 1212/EXK- 1213	230x200	228,5- 231	51	126	200

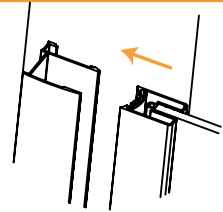
3



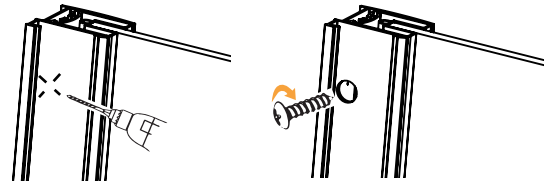
INSIDE



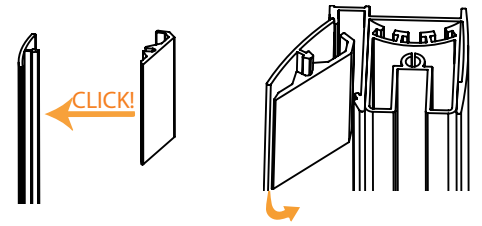
a



b



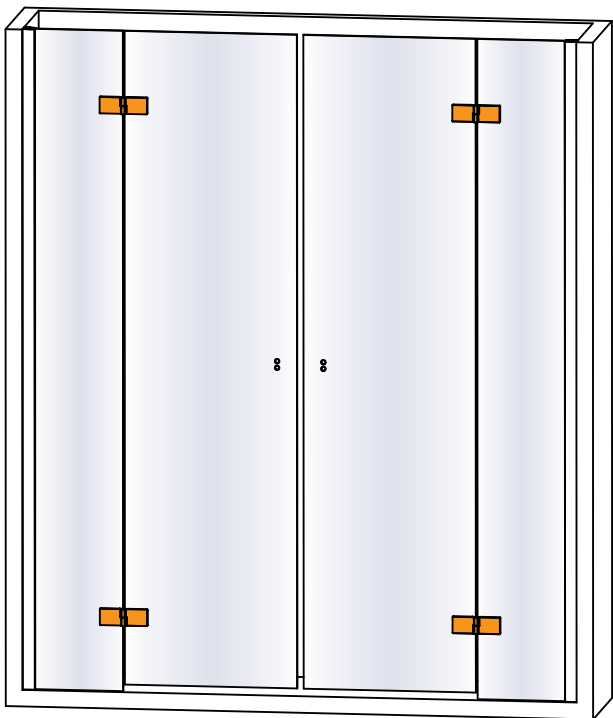
c



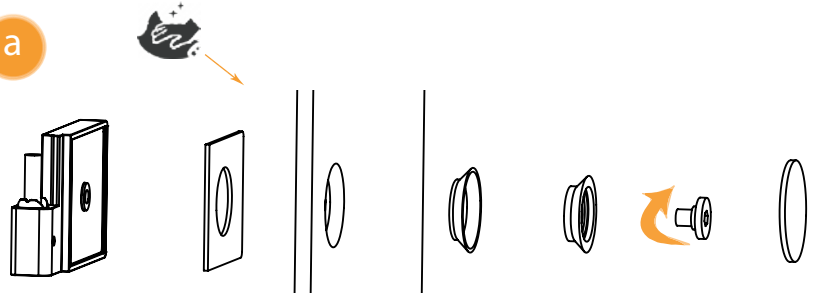
4



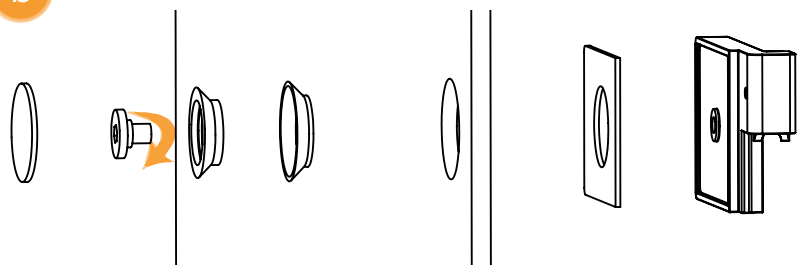
INSIDE



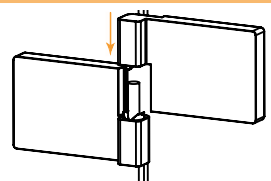
a



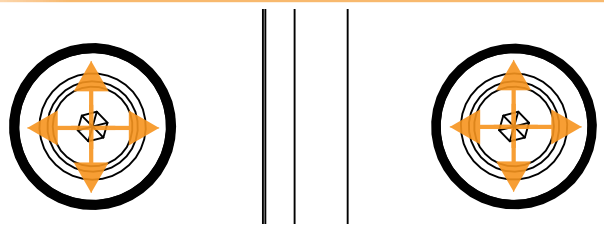
b

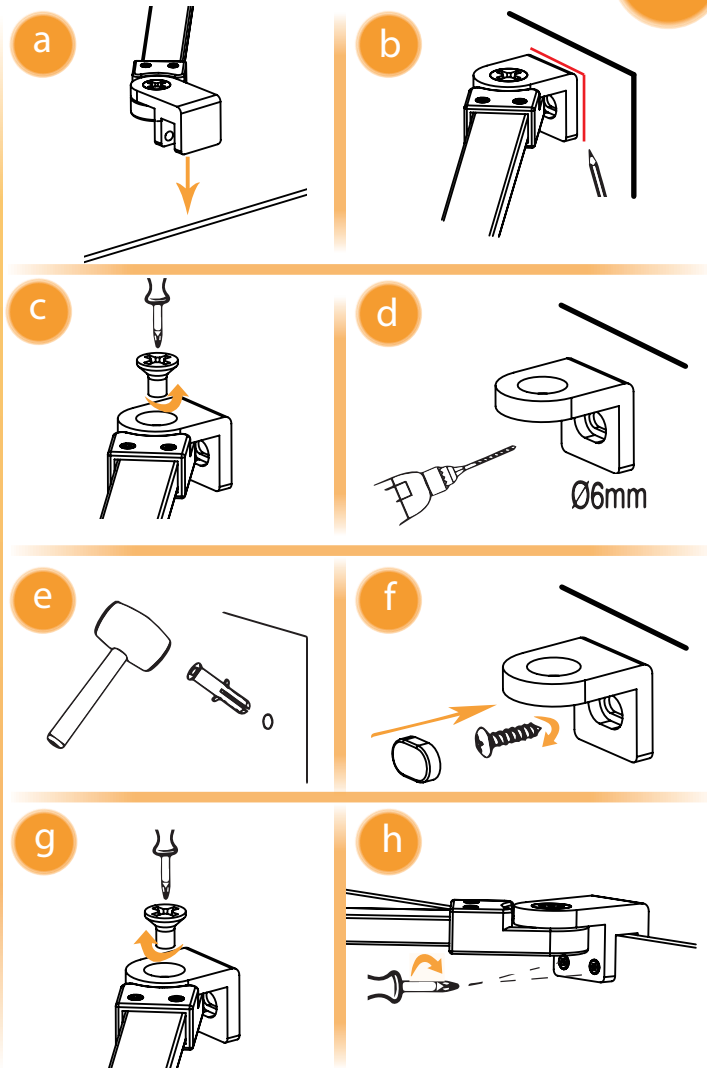
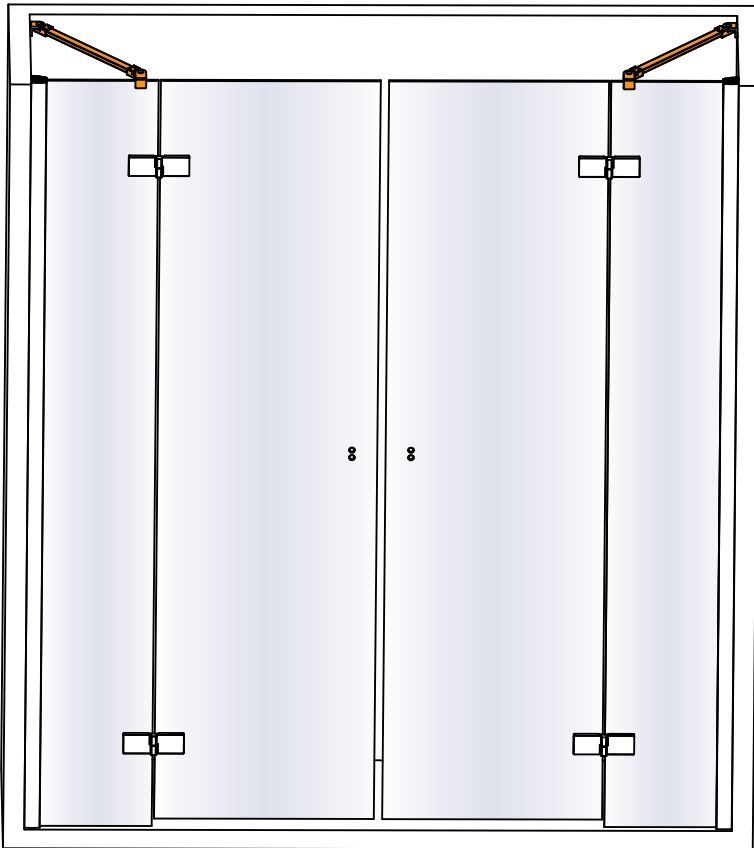
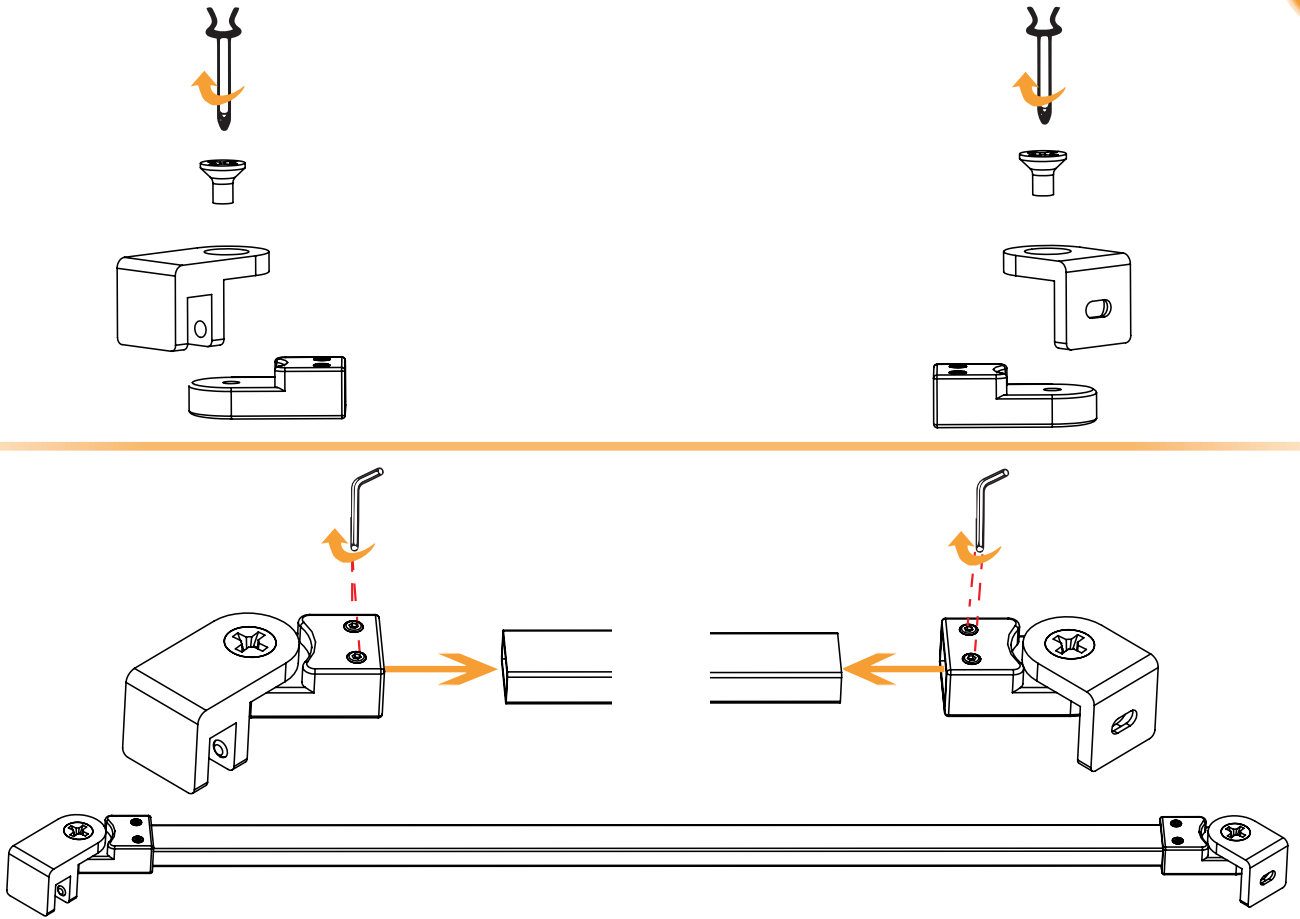


c

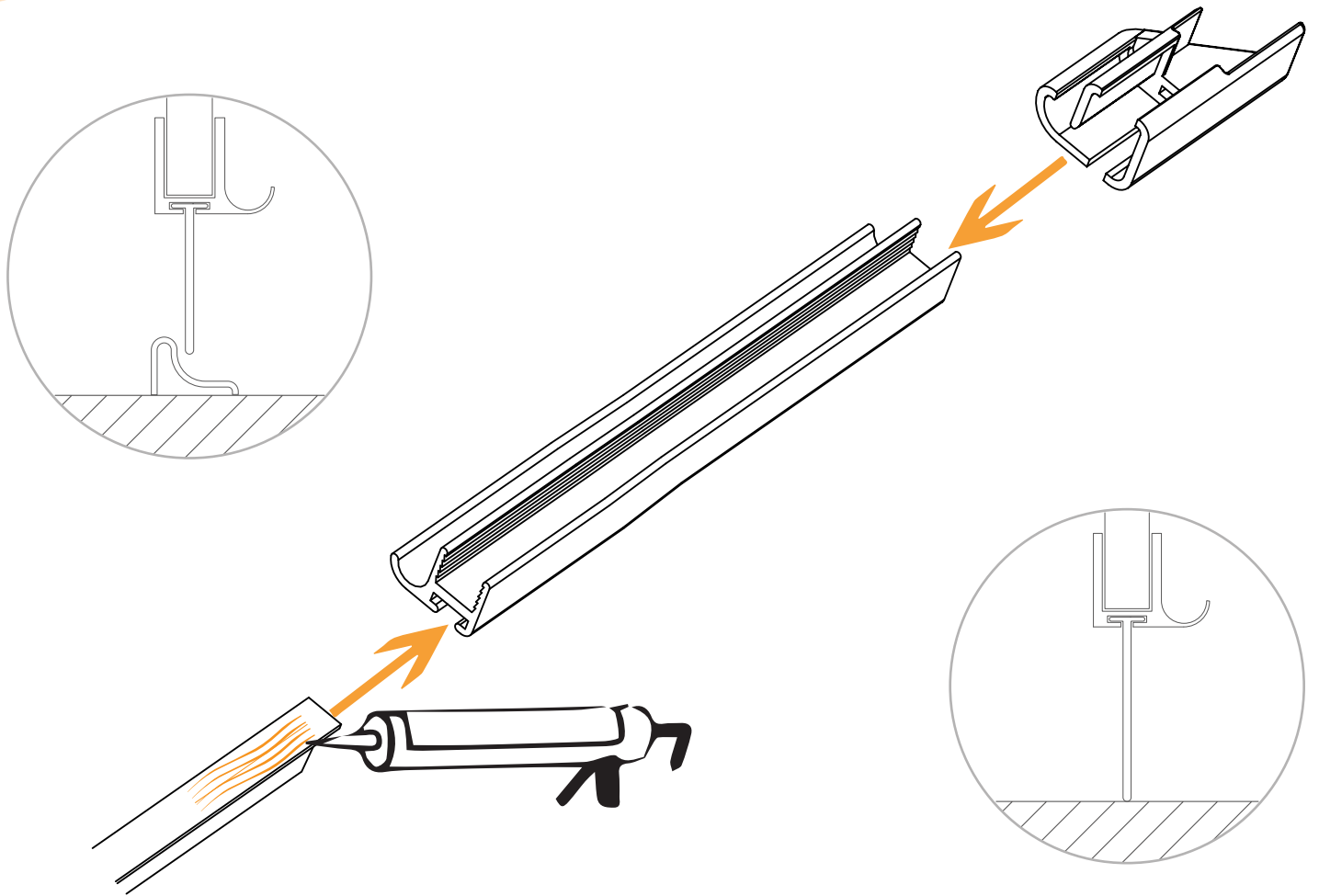


d

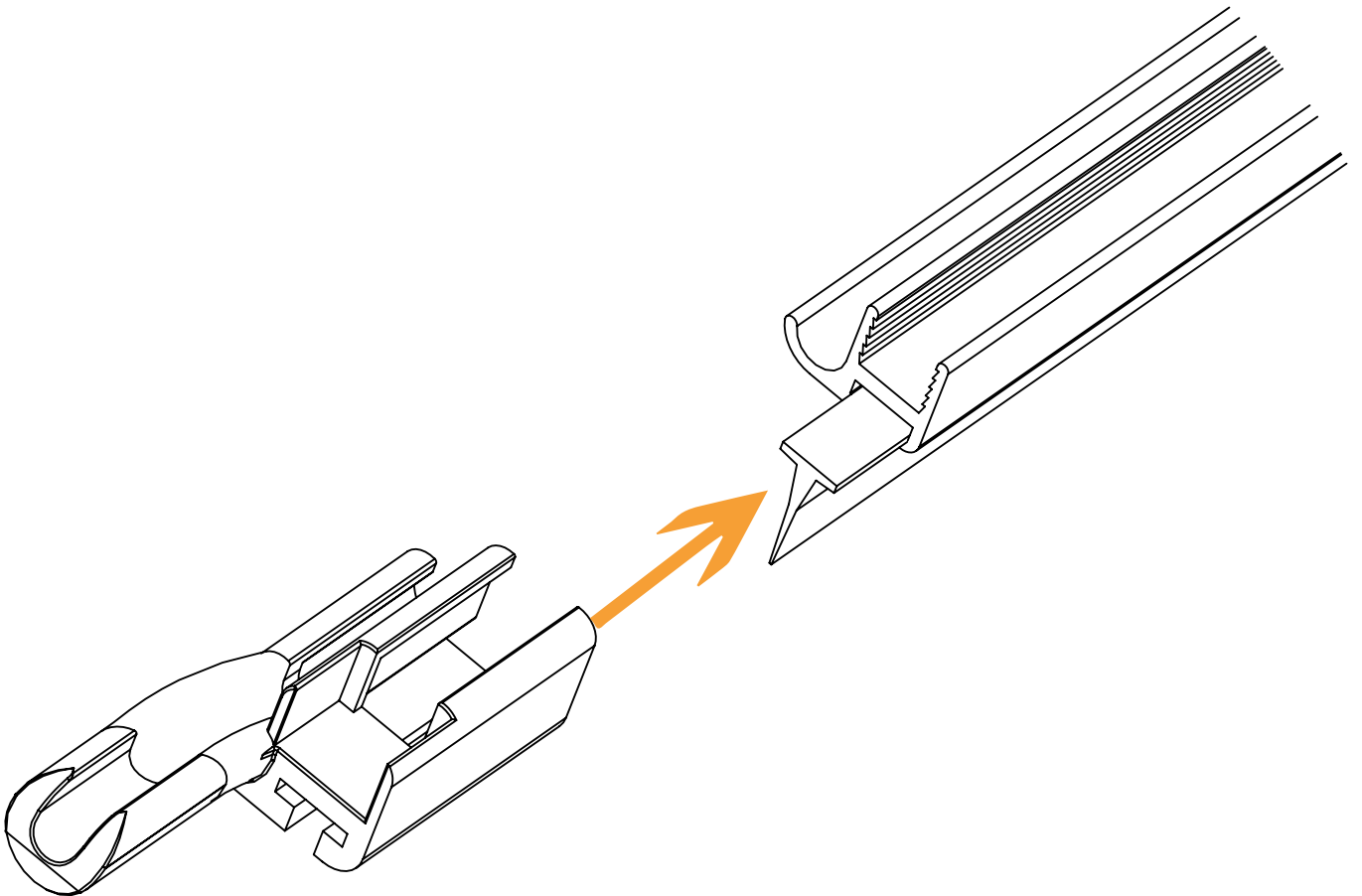


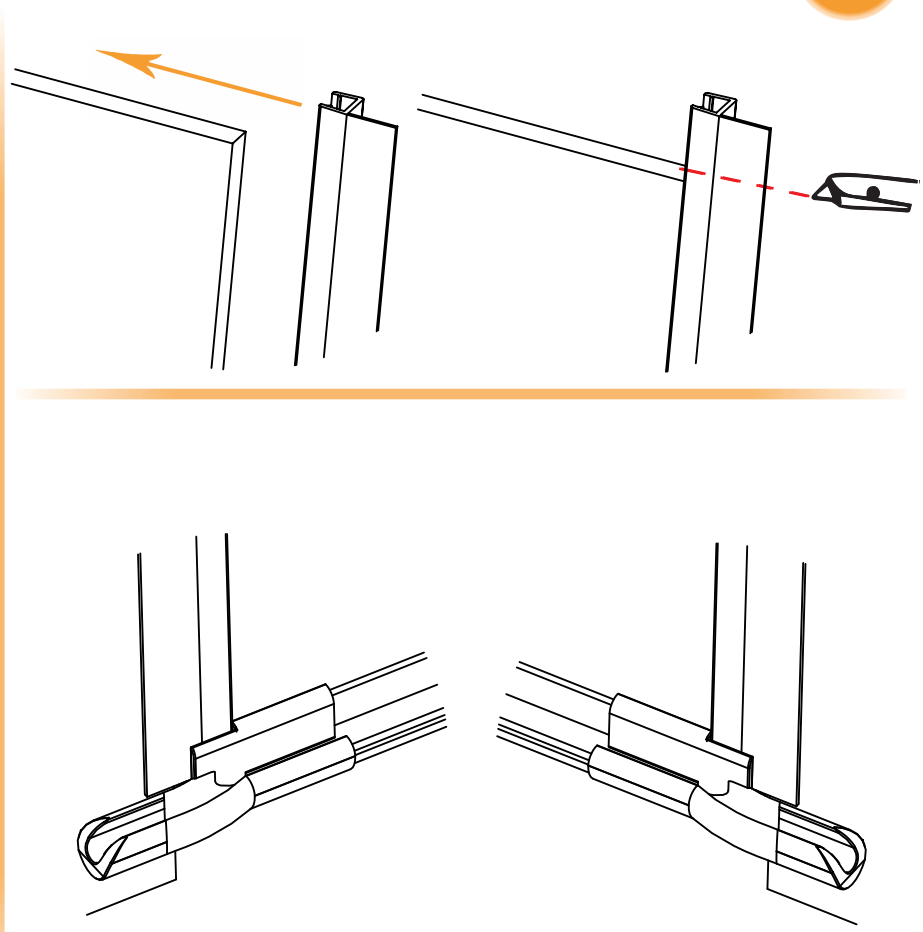
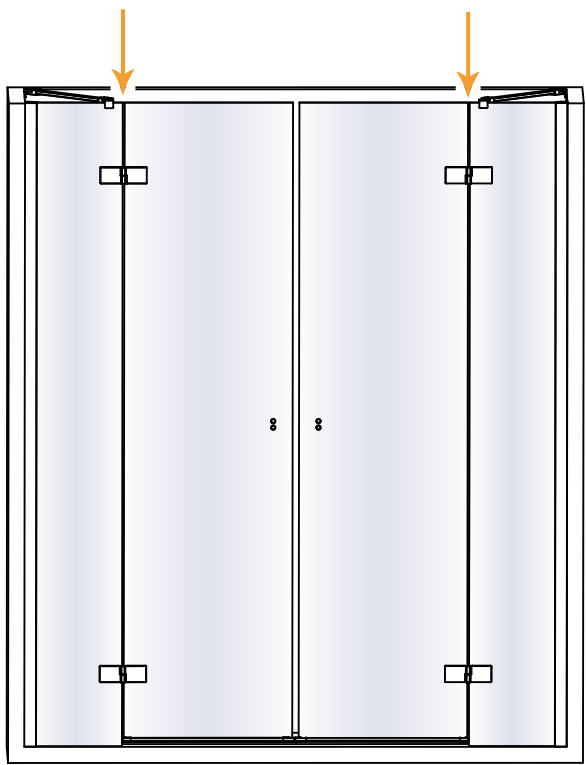
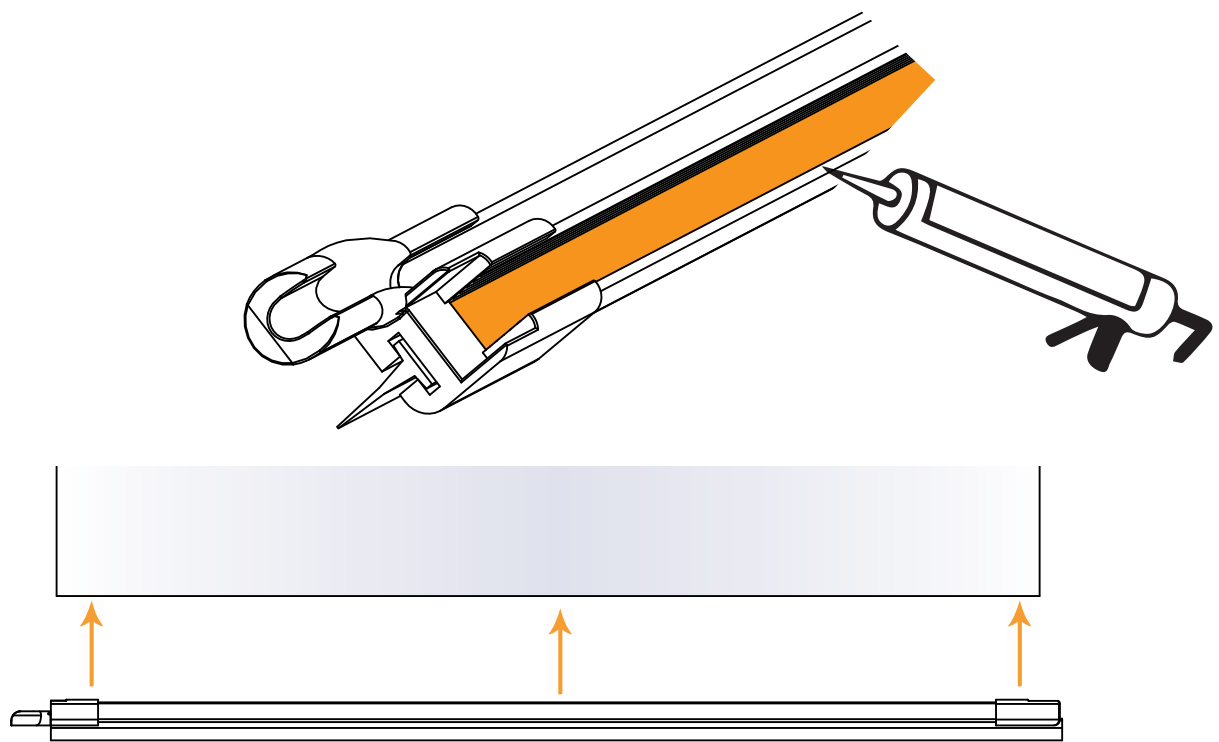


7

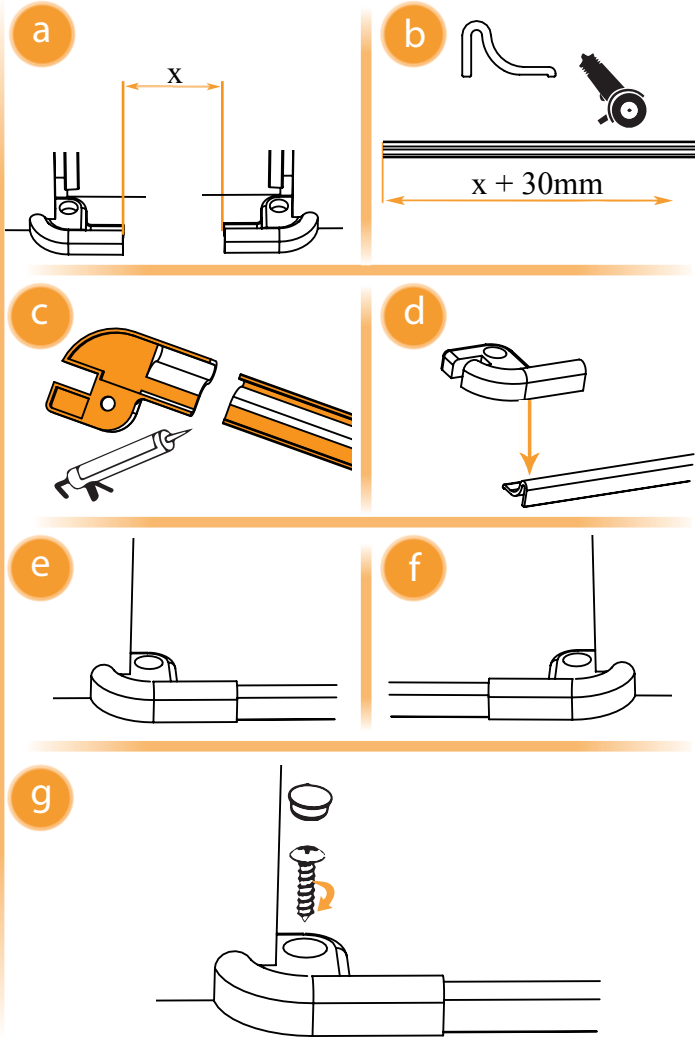
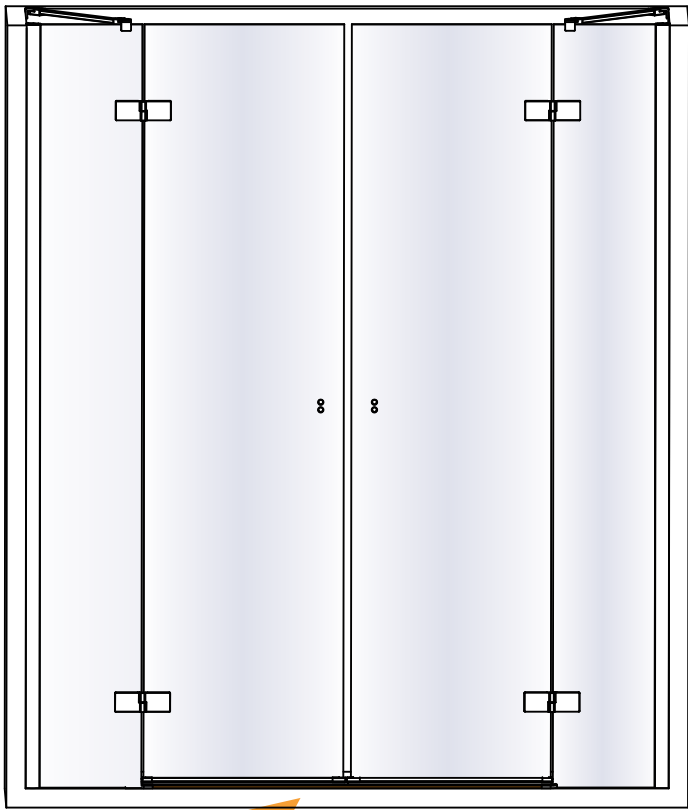


8





11



12

