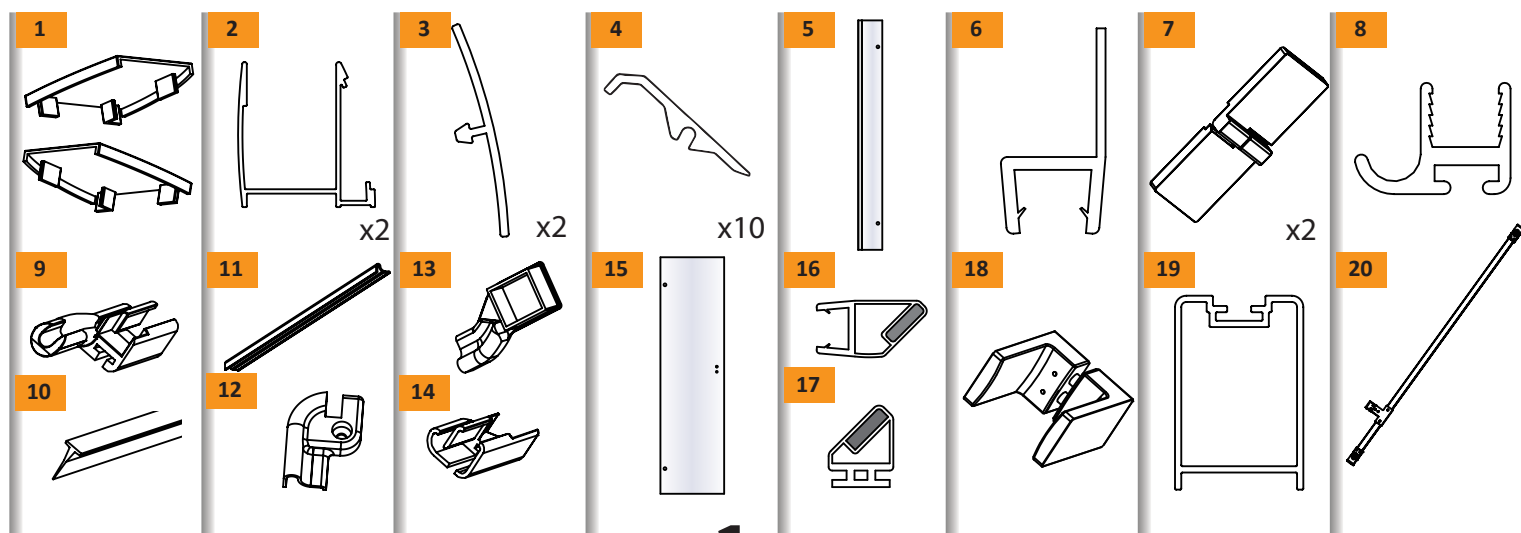
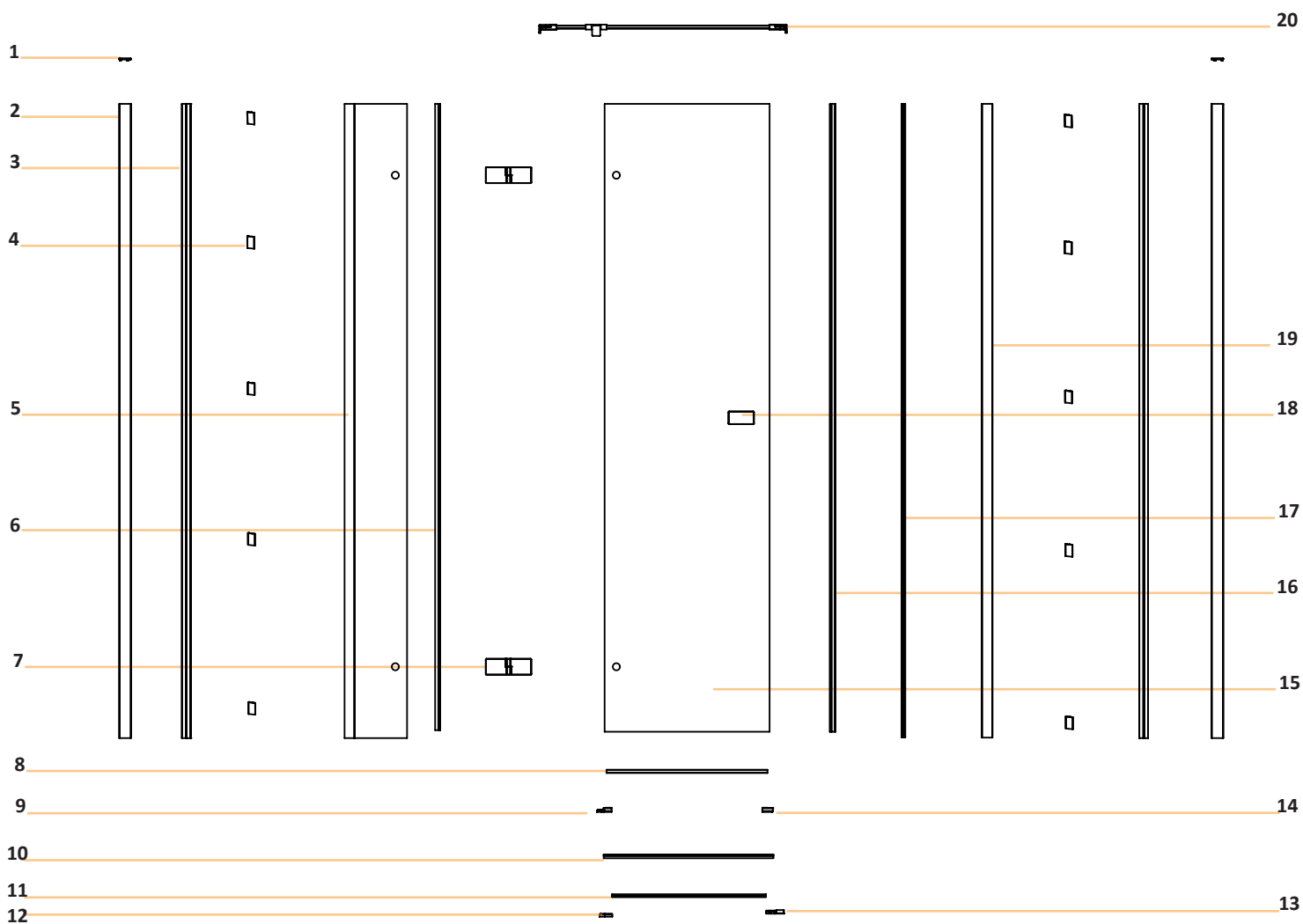
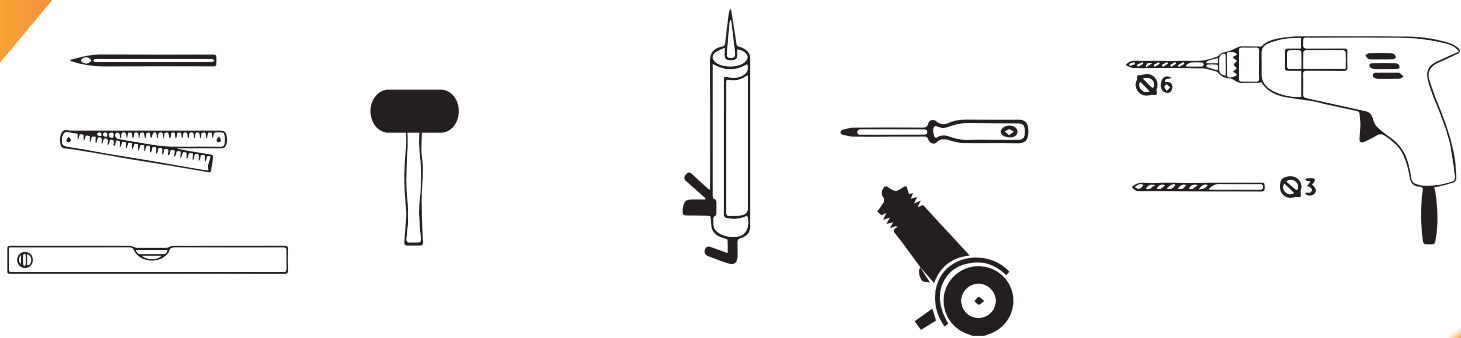


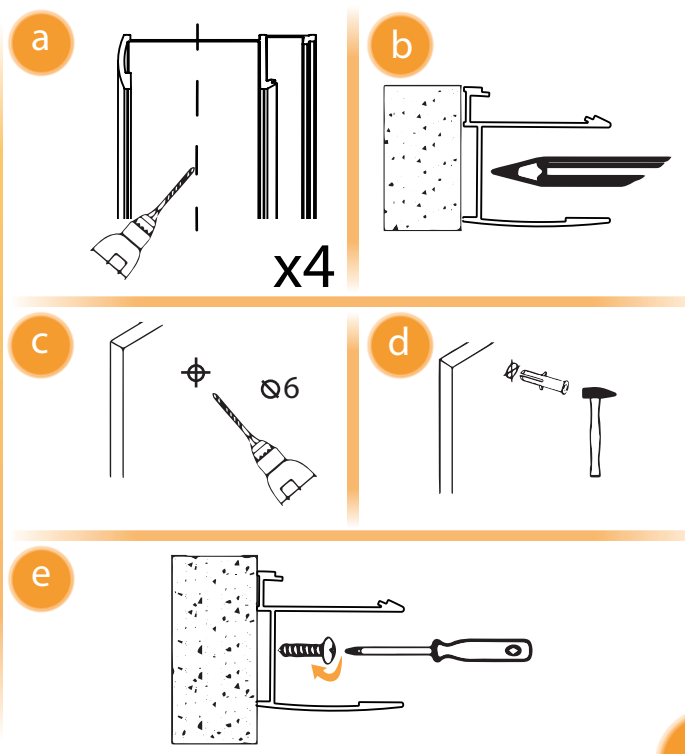
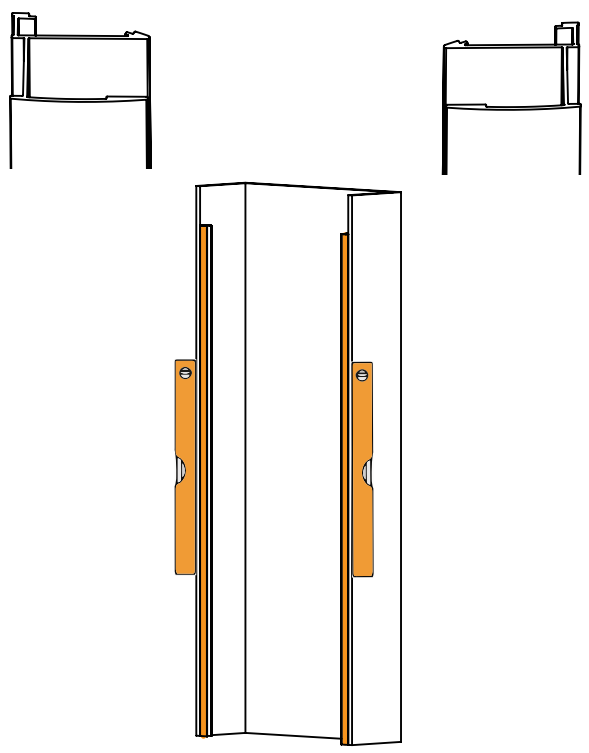


REFLEXA



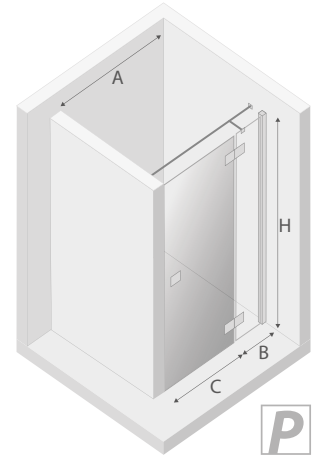
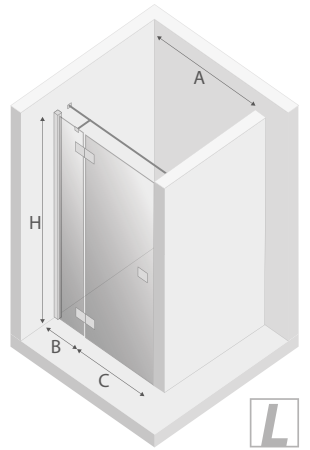


1



2

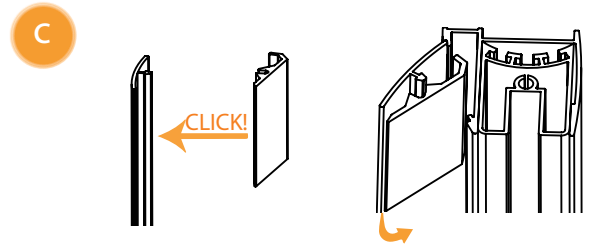
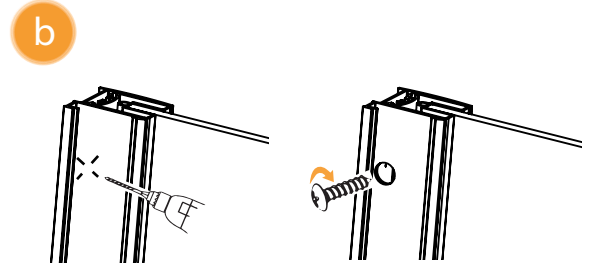
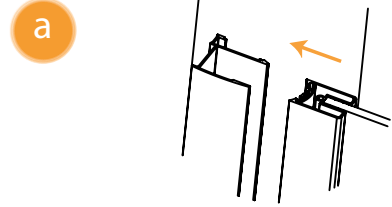
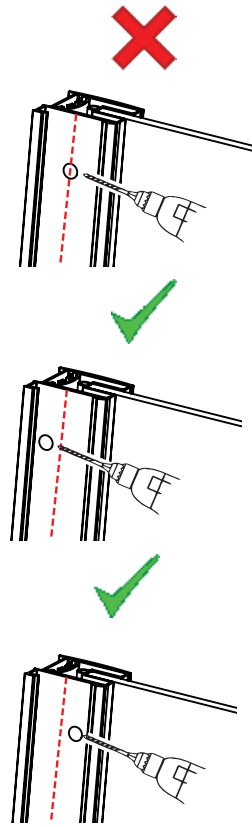
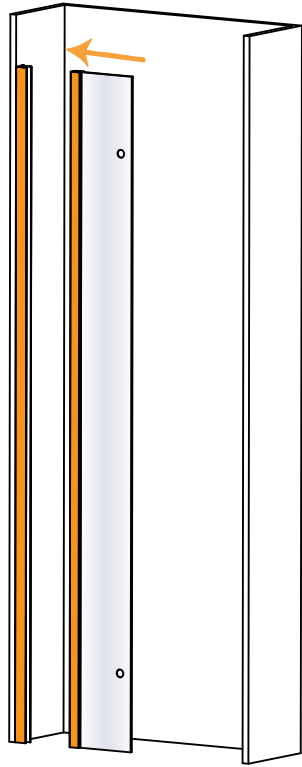
			A	B	C	H
EXK- 1204	80x200	L	78-81	21	53	200
EXK- 1205	80x200	P	78-81	21	53	200
EXK- 1206	90x200	L	88-91	31	53	200
EXK- 1207	90x200	P	88-91	31	53	200
EXK- 1208	100x200	L	98- 101	31	63	200
EXK- 1209	100x200	P	98- 101	31	63	200
EXK- 1210	110x200	L	108- 111	41	63	200
EXK- 1211	110x200	P	108- 111	41	63	200
EXK- 1212	120x200	L	118- 121	51	63	200
EXK- 1213	120x200	P	118- 121	51	63	200
EXK- 1214	130x200	L	128- 131	61	63	200
EXK- 1215	130x200	P	128- 131	61	63	200
EXK- 1216	140x200	L	138- 141	71	63	200
EXK- 1217	140x200	P	138- 141	71	63	200



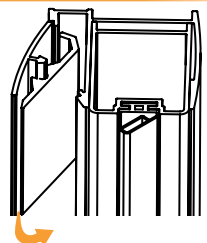
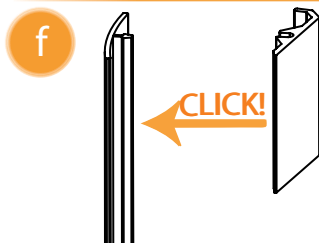
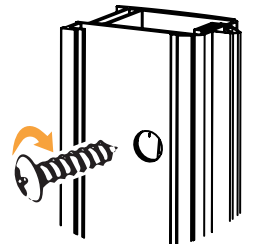
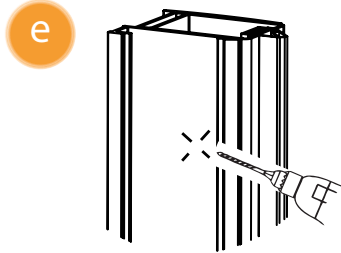
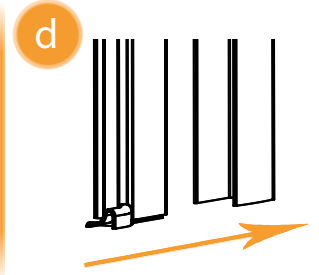
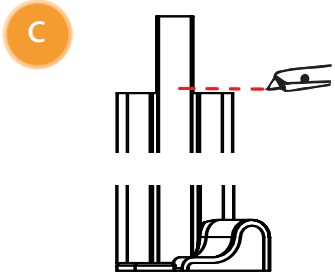
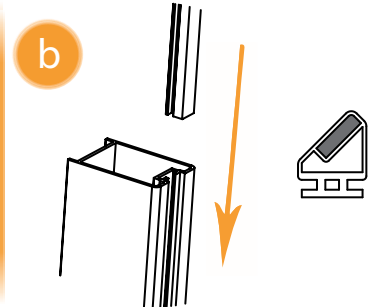
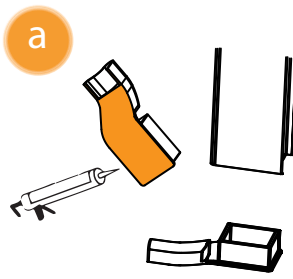
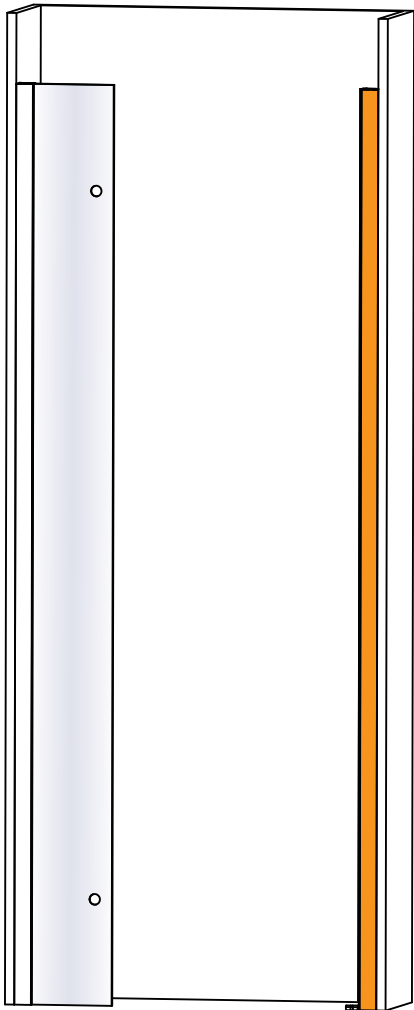
2

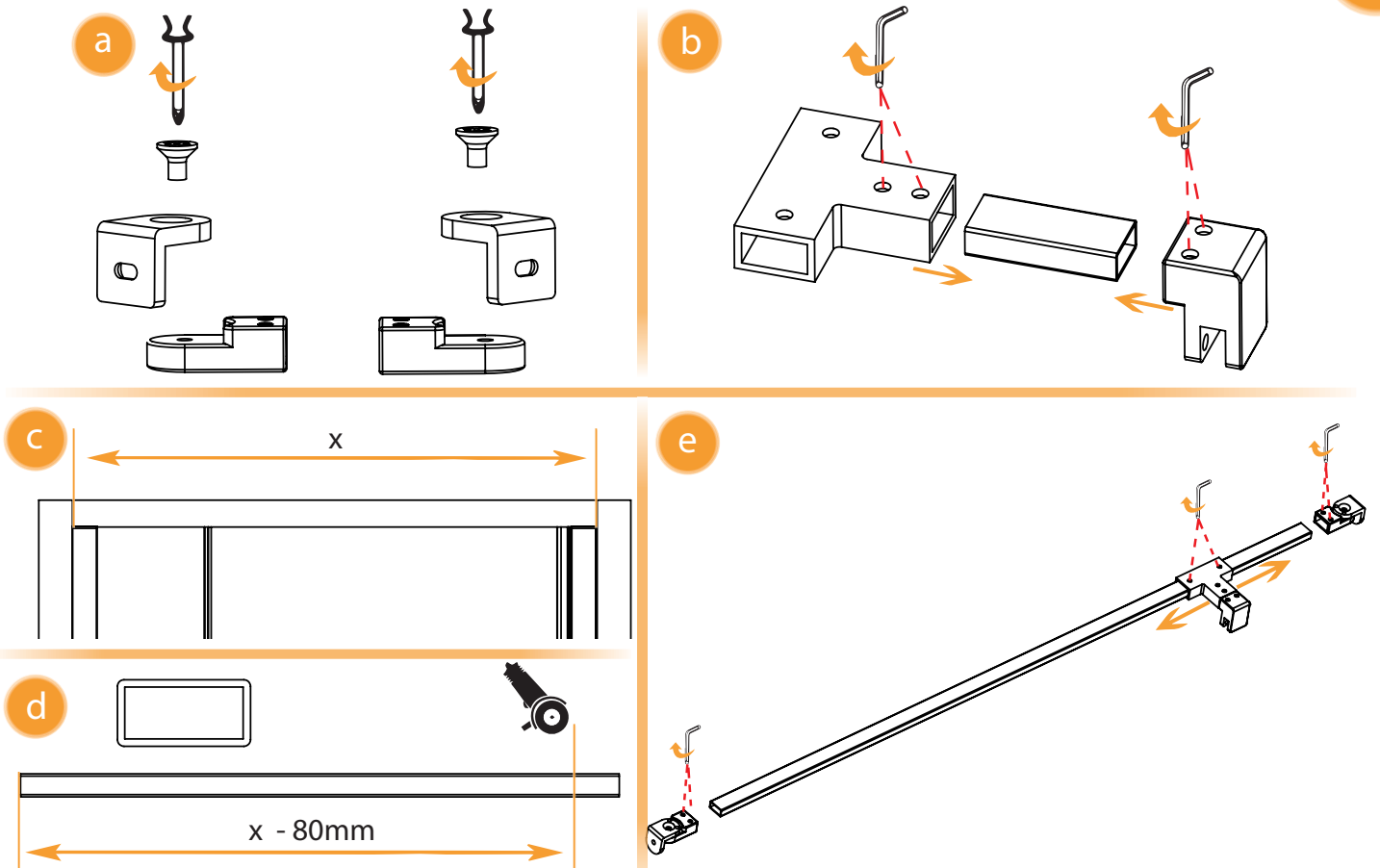
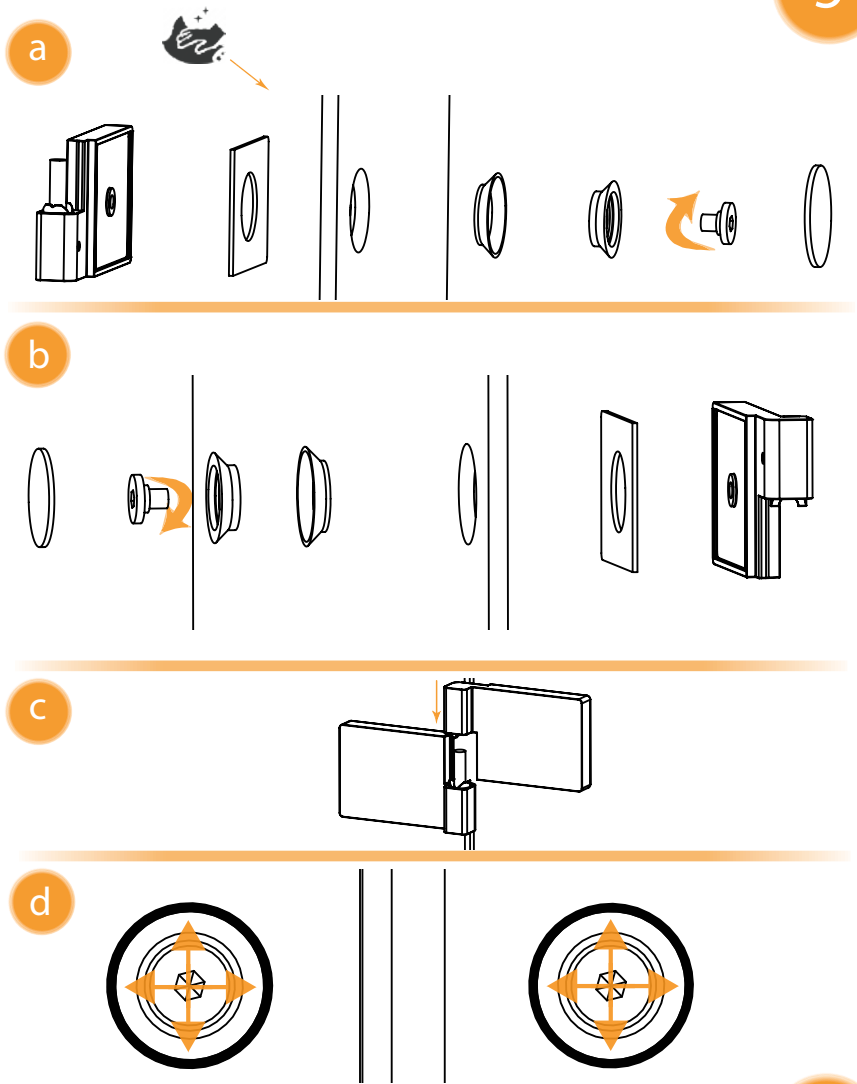
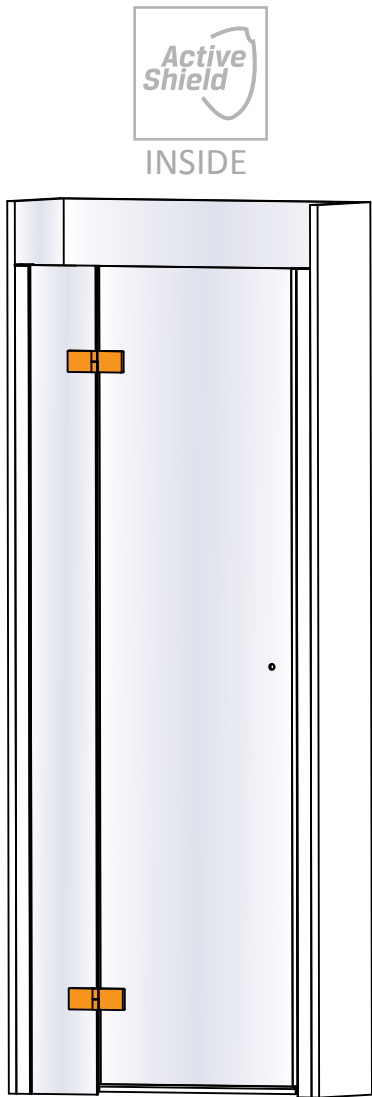
3

Active Shield
INSIDE

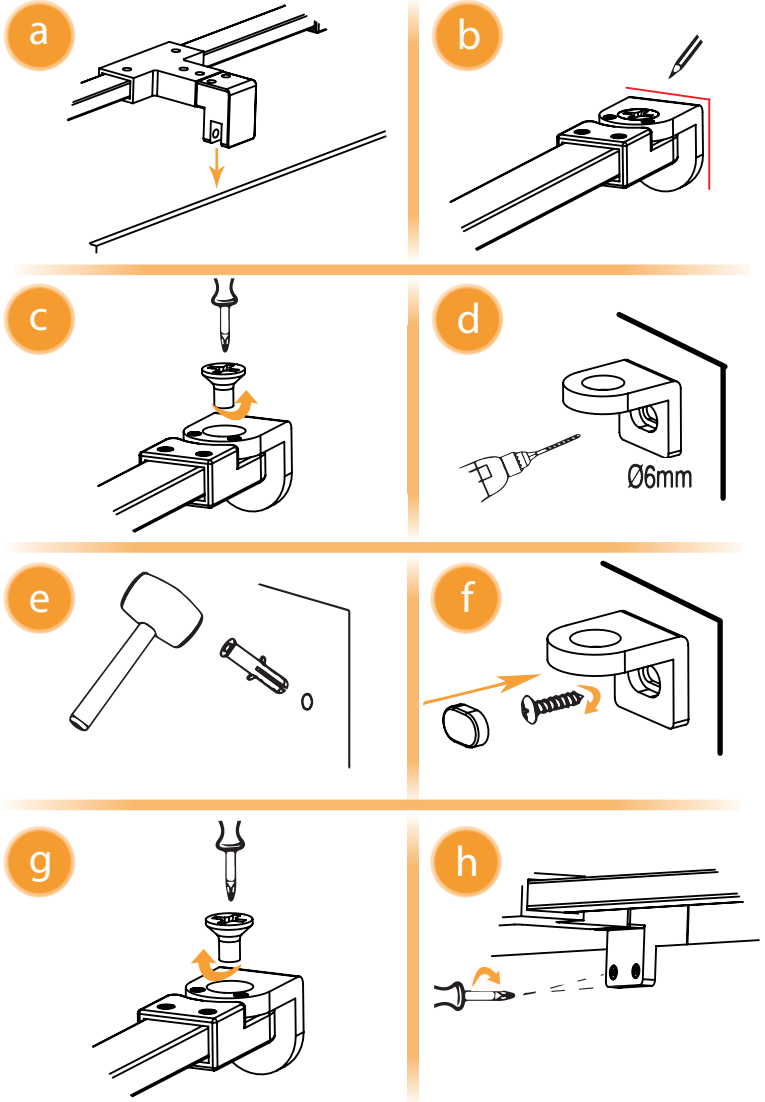
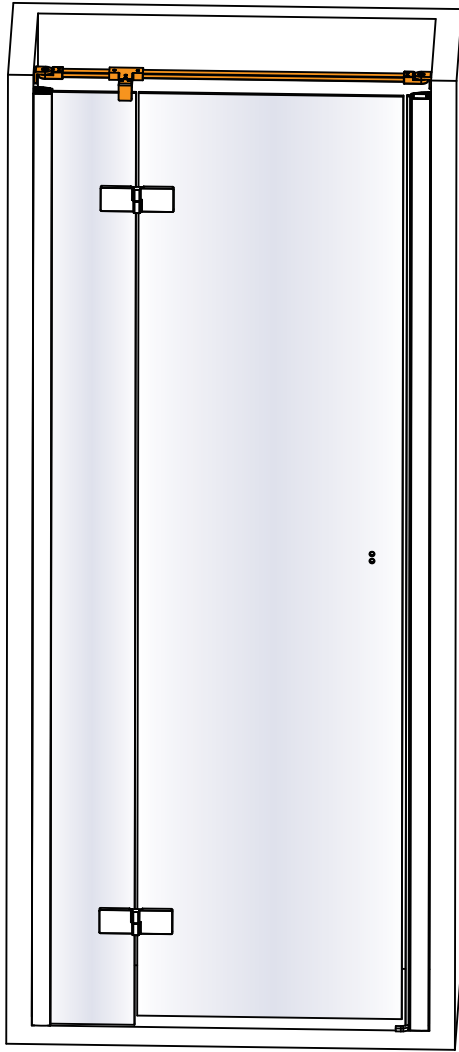


4

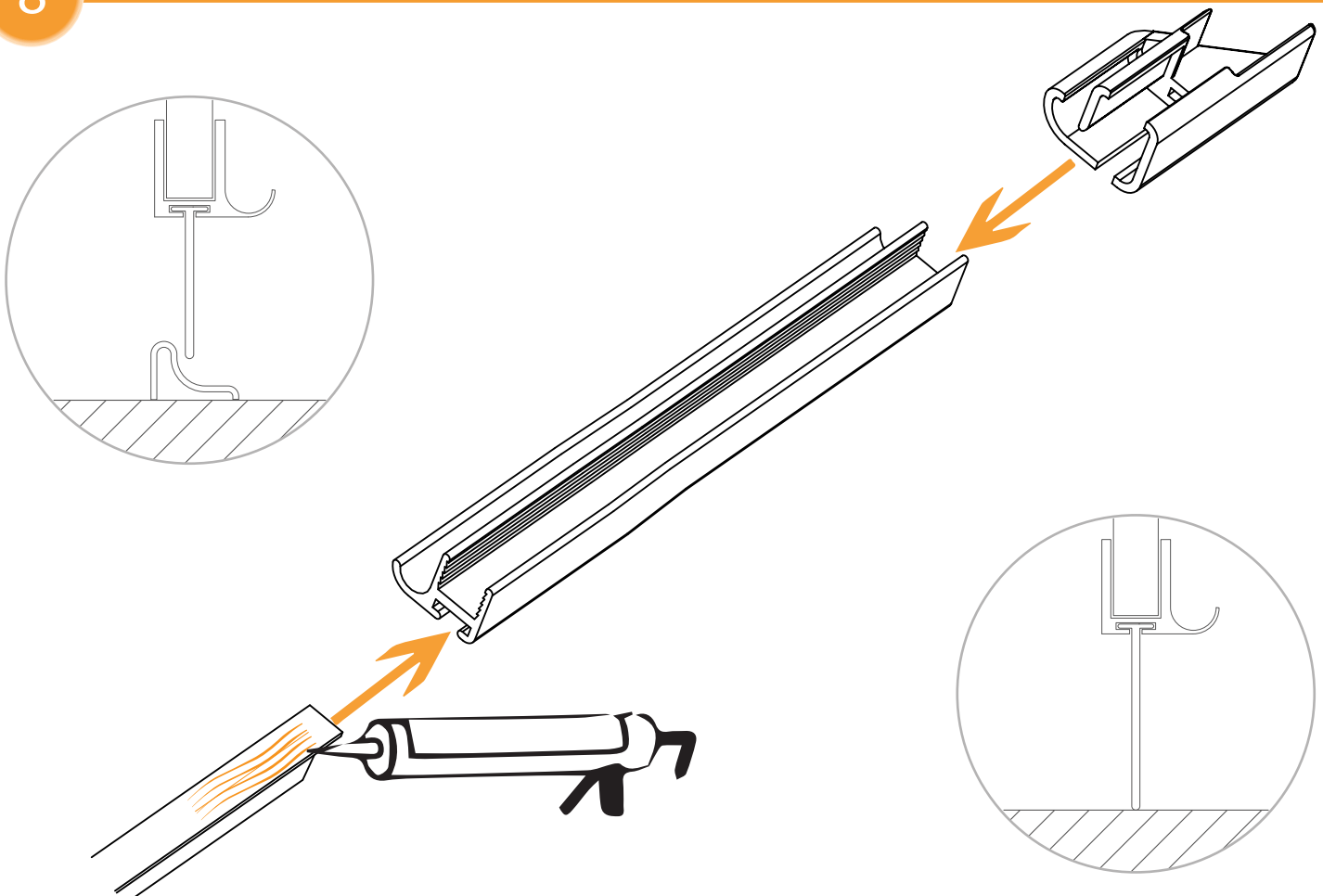


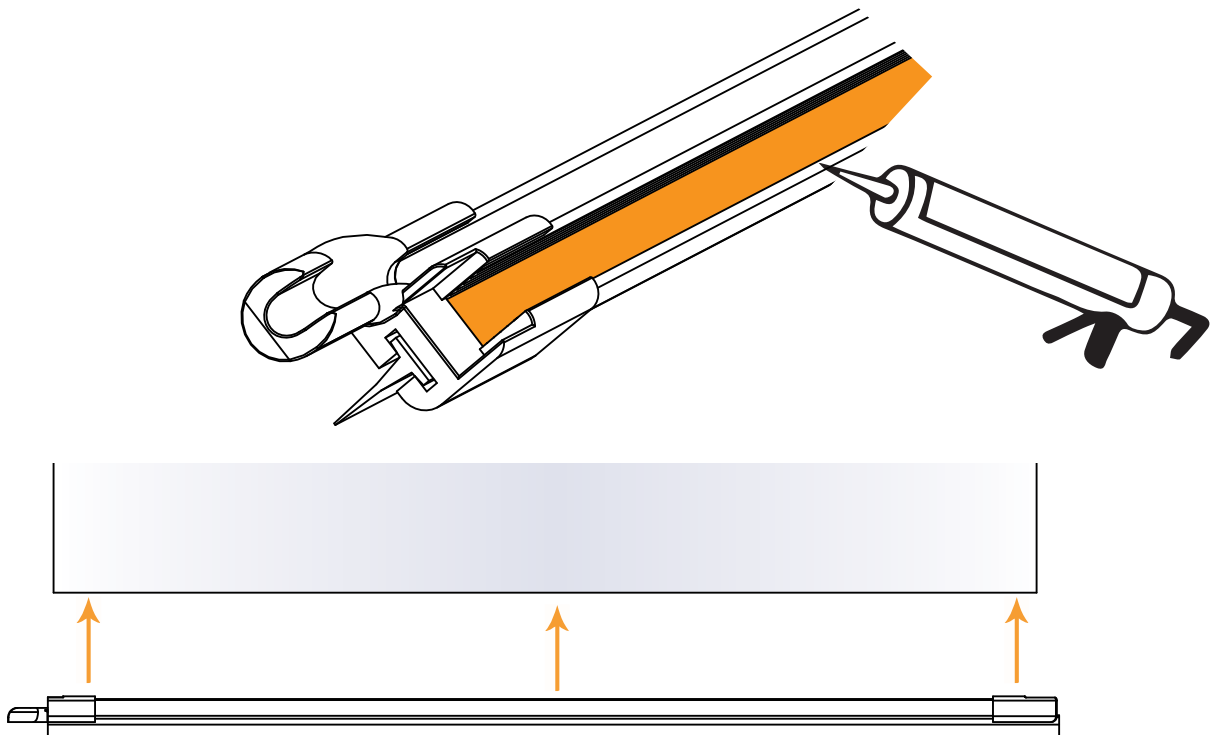
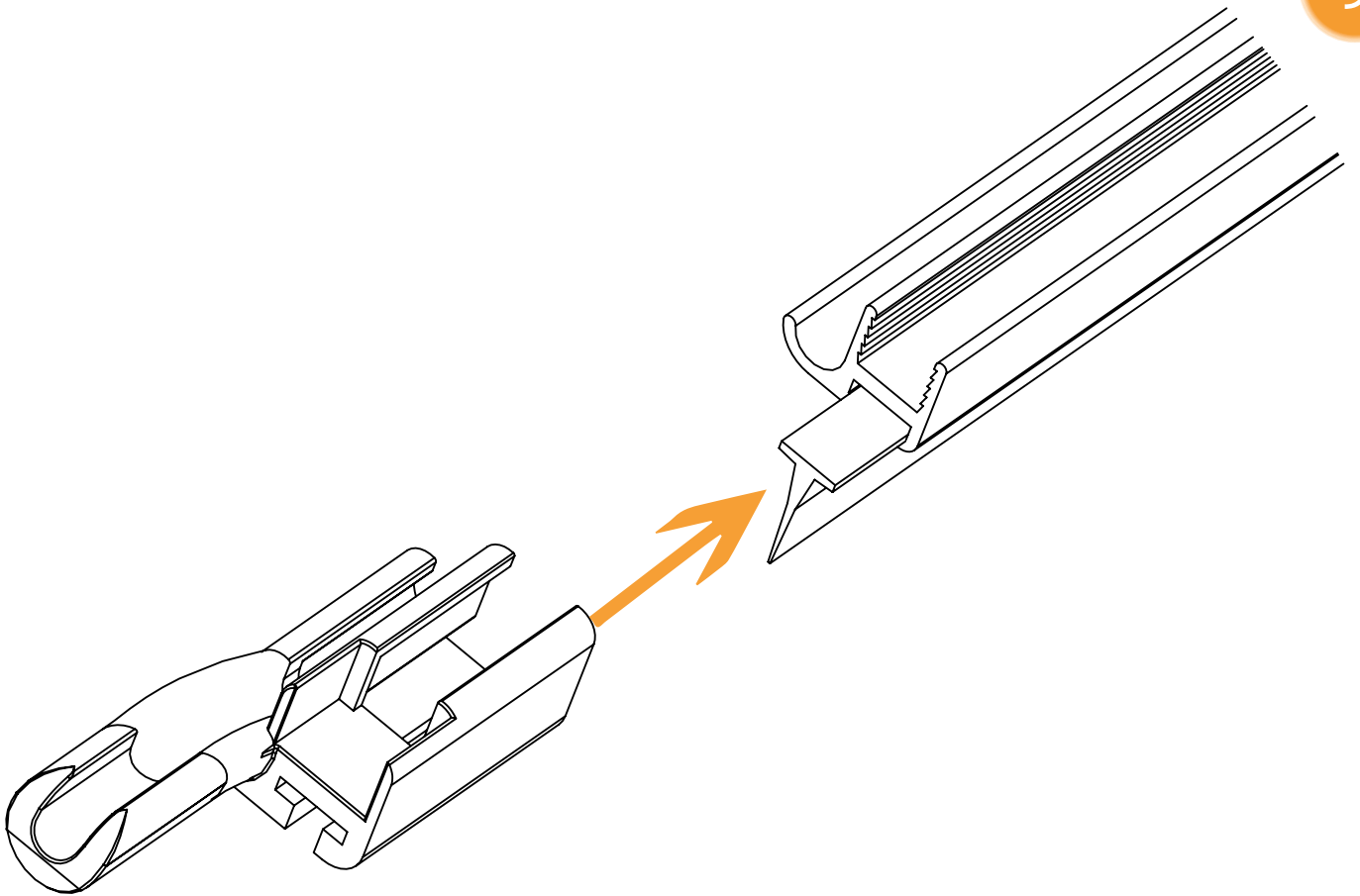


7

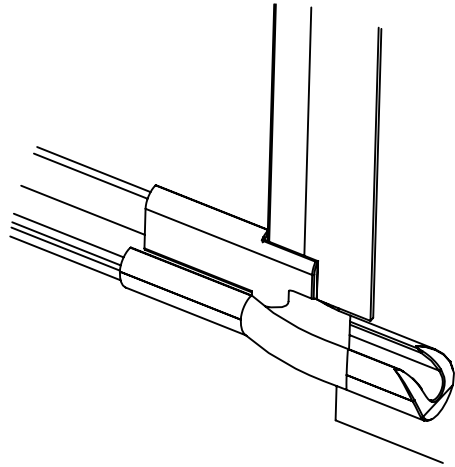
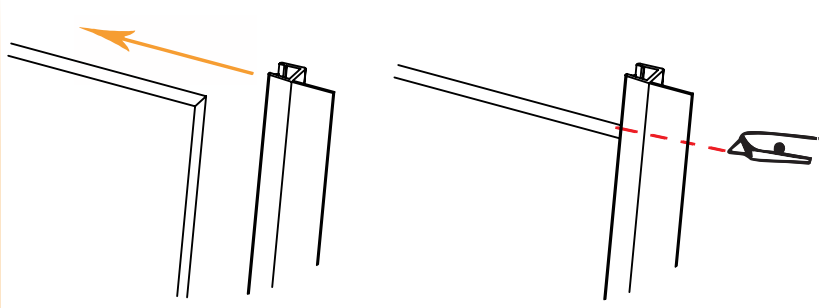
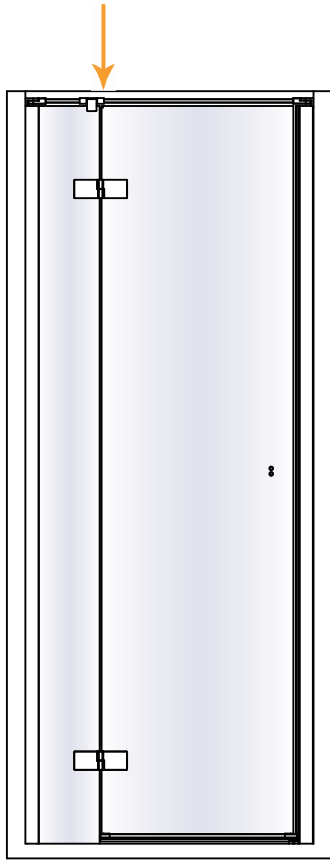


8

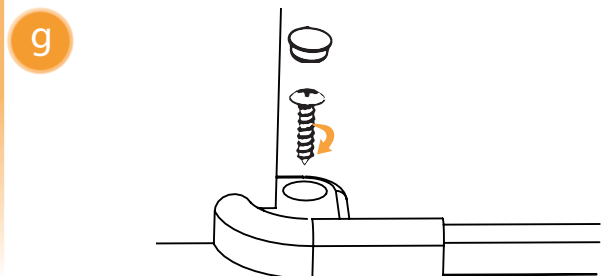
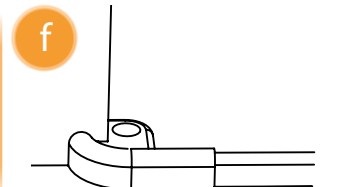
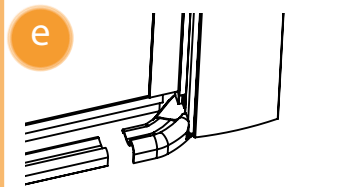
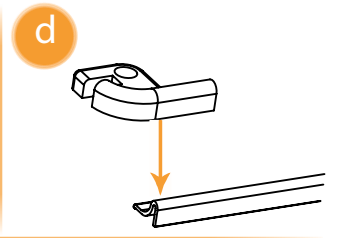
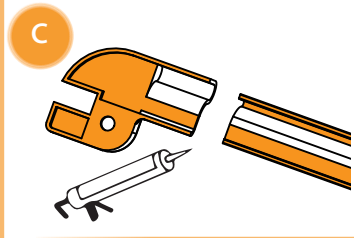
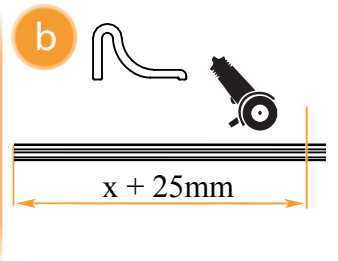
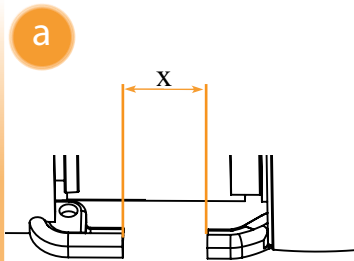
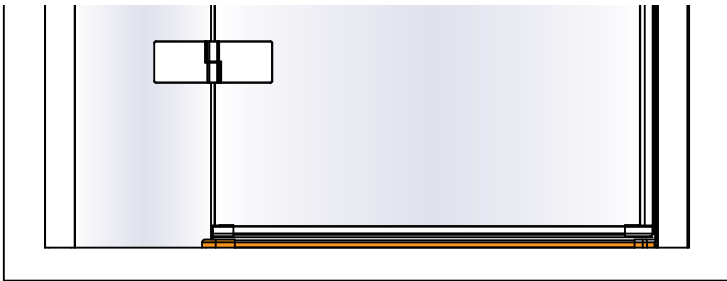


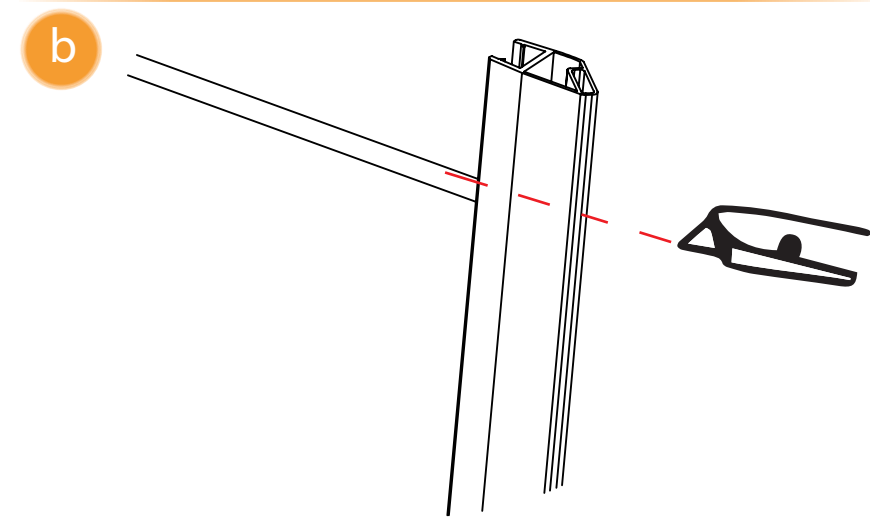
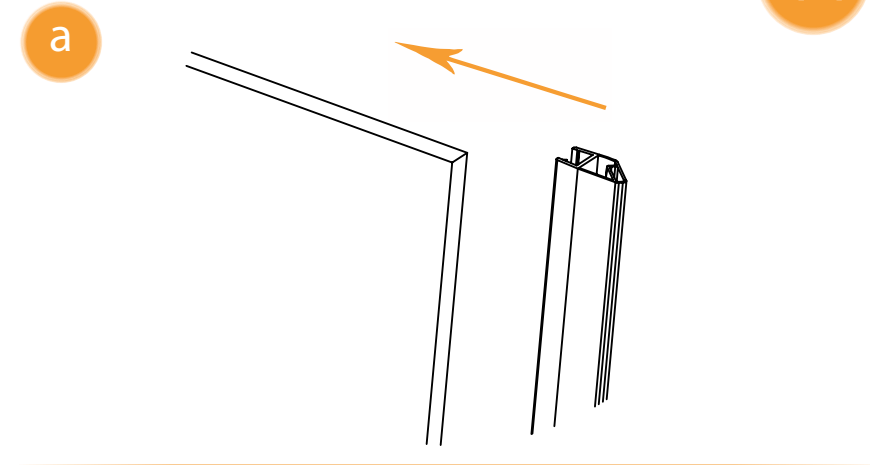
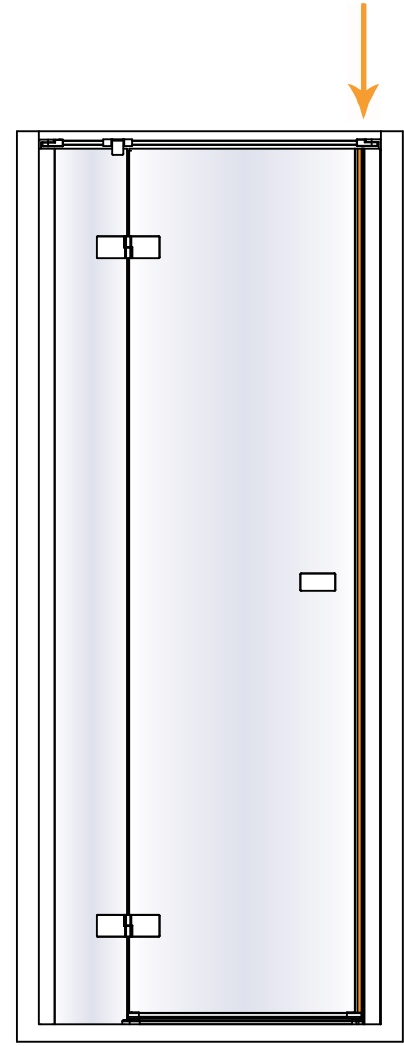
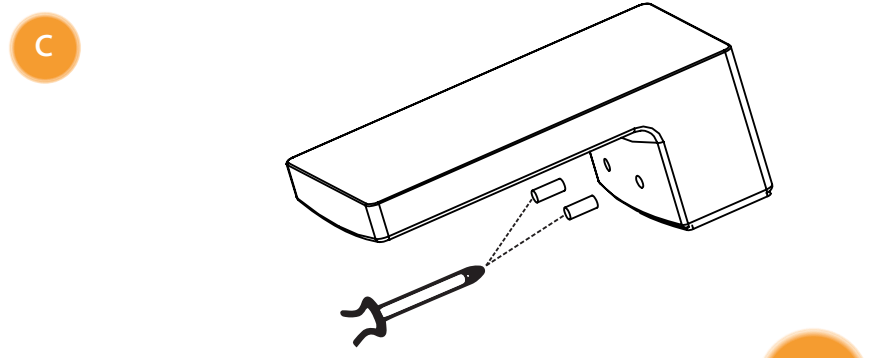
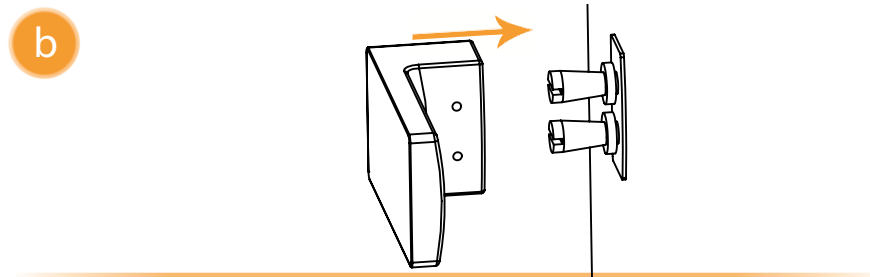
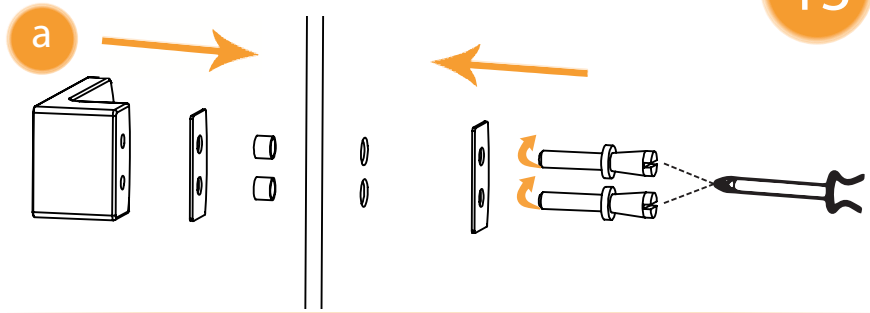
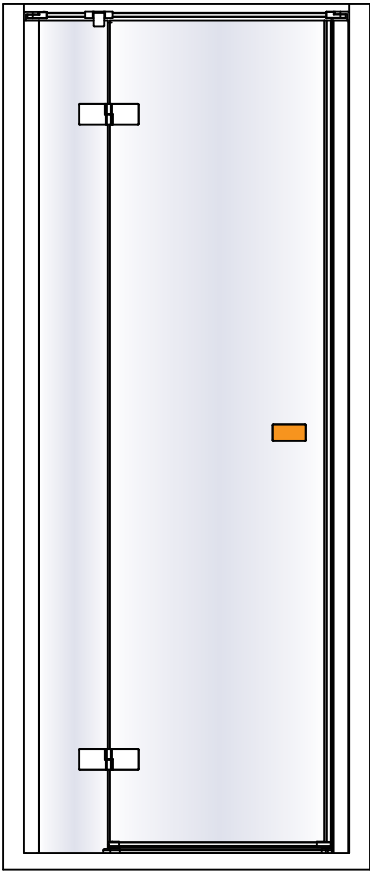


11



12







24H

