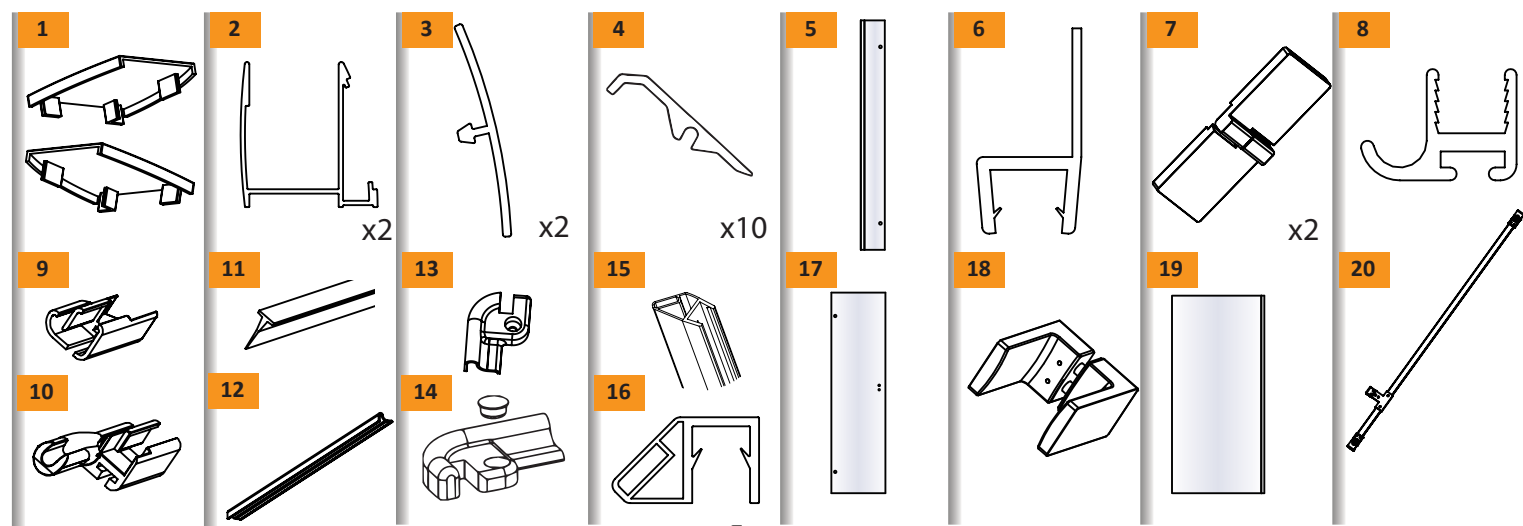
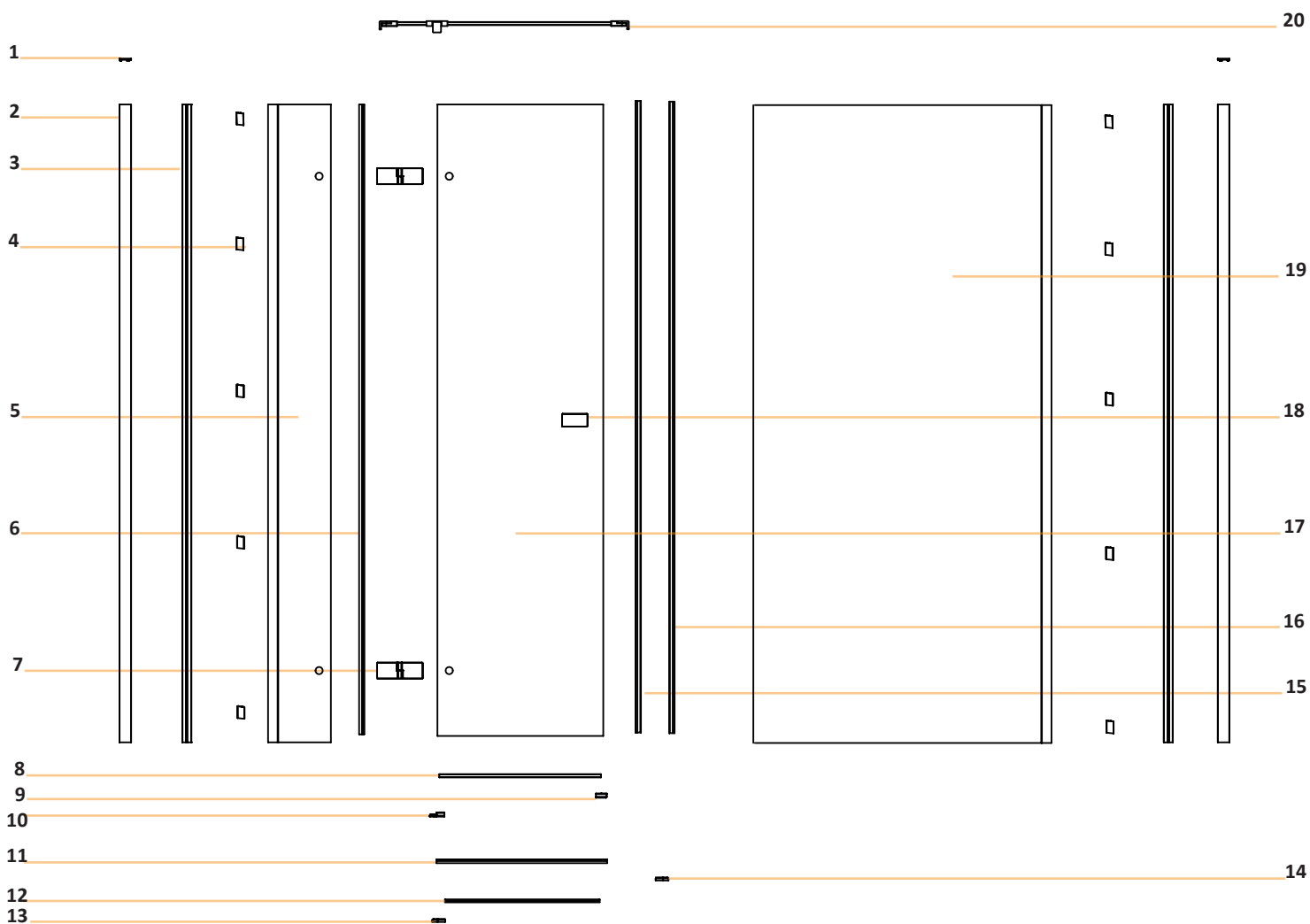
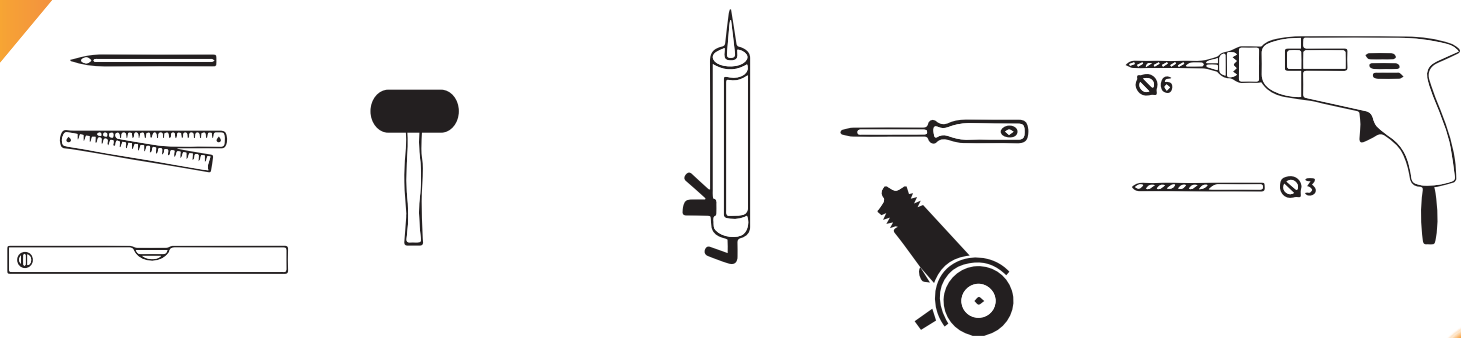


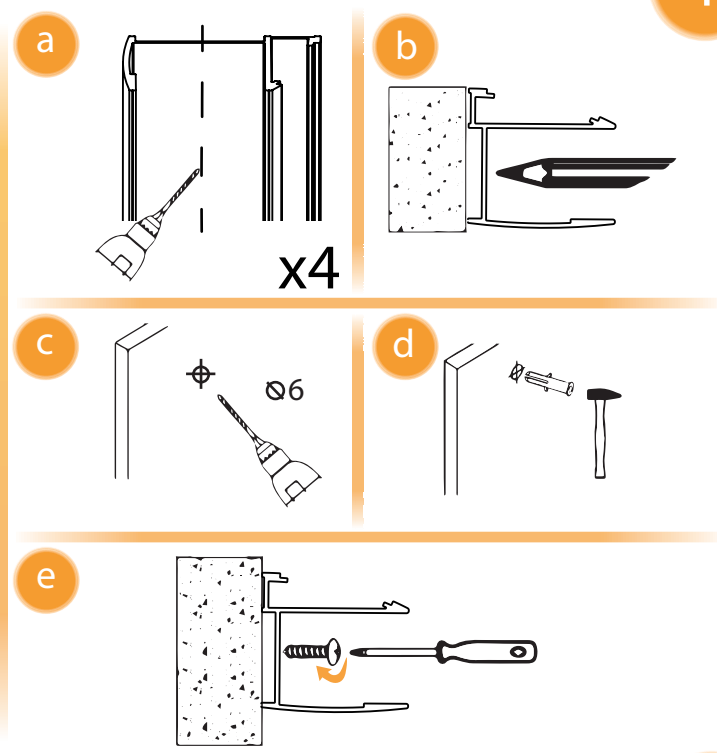
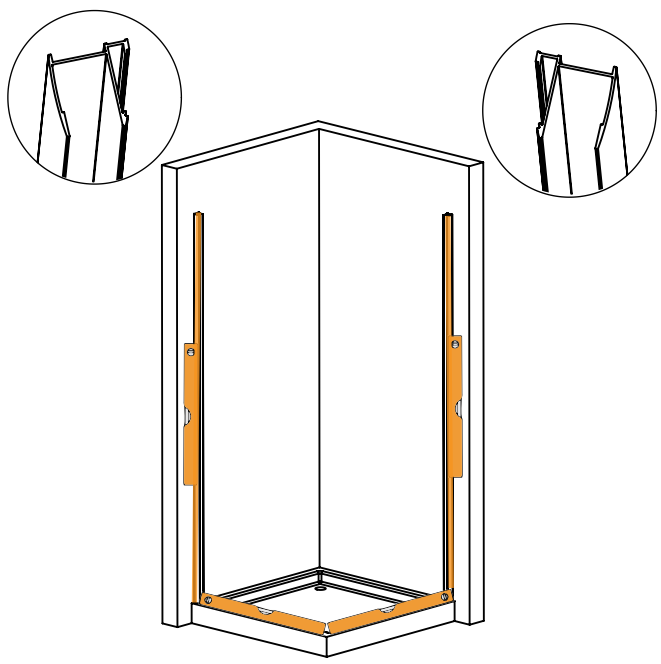


## REFLEXA



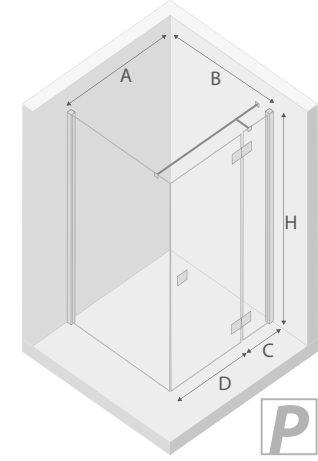
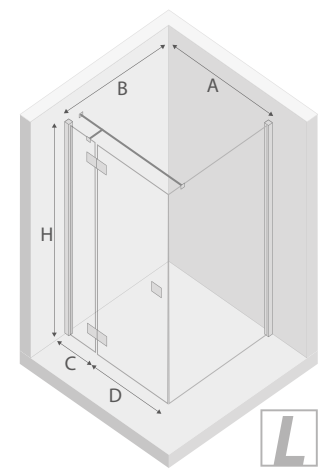


1



2

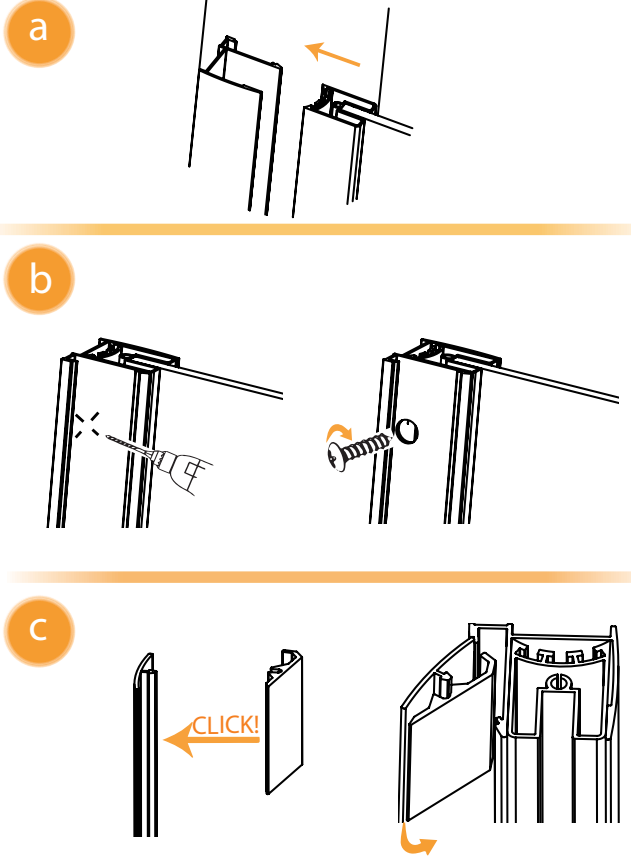
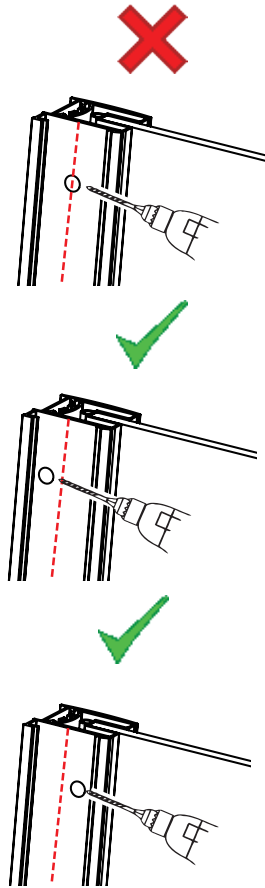
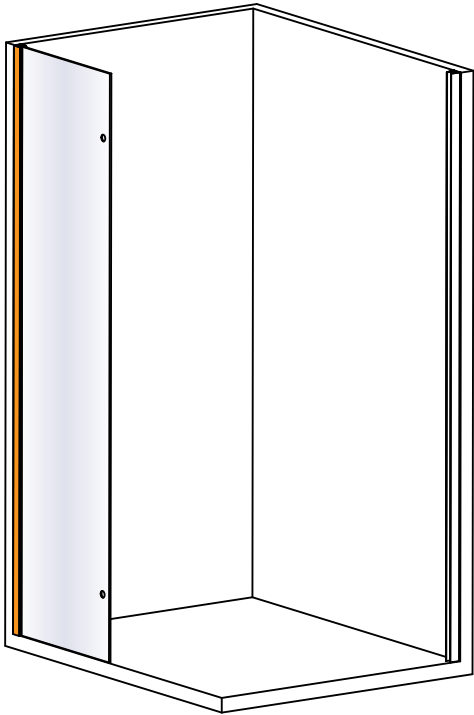
		A	B	C	D	H
EXK- 1236/EXK- 0005	80x80x200	79-80,5	77,5-79	24	53	200
EXK- 1241/EXK- 0005	80x80x200	79-80,5	77,5-79	24	53	200
EXK- 1236/EXK- 0006	80x90x200	79-80,5	87,5-89	24	53	200
EXK- 1241/EXK- 0006	80x90x200	79-80,5	87,5-89	24	53	200
EXK- 1236/EXK- 0007	80x100x200	79-80,5	97,5-99	24	53	200
EXK- 1241/EXK- 0007	80x100x200	79-80,5	97,5-99	24	53	200
EXK- 1237/EXK- 0005	90x80x200	89-90,5	77,5-79	34	53	200
EXK- 1242/EXK- 0005	90x80x200	89-90,5	77,5-79	34	53	200
EXK- 1237/EXK- 0006	90x90x200	89-90,5	87,5-89	34	53	200
EXK- 1242/EXK- 0006	90x90x200	89-90,5	87,5-89	34	53	200
EXK- 1237/EXK- 0007	90x100x200	89-90,5	97,5-99	34	53	200
EXK- 1242/EXK- 0007	90x100x200	89-90,5	97,5-99	34	53	200
EXK- 1238/EXK- 0005	100x80x200	99-100,5	77,5-79	34	63	200
EXK- 1243/EXK- 0005	100x80x200	99-100,5	77,5-79	34	63	200
EXK- 1238/EXK- 0006	100x90x200	99-100,5	87,5-89	34	63	200
EXK- 1243/EXK- 0006	100x90x200	99-100,5	87,5-89	34	63	200
EXK- 1238/EXK- 0007	100x100x200	99-100,5	97,5-99	34	63	200
EXK- 1243/EXK- 0007	100x100x200	99-100,5	97,5-99	34	63	200
EXK- 1240/EXK- 0005	120x80x200	119-120,5	77,5-79	54	63	200
EXK- 1244/EXK- 0005	120x80x200	119-120,5	77,5-79	54	63	200
EXK- 1240/EXK- 0006	120x90x200	119-120,5	87,5-89	54	63	200
EXK- 1244/EXK- 0006	120x90x200	119-120,5	87,5-89	54	63	200
EXK- 1240/EXK- 0007	120x100x200	119-120,5	97,5-99	54	63	200
EXK- 1244/EXK- 0007	120x100x200	119-120,5	97,5-99	54	63	200



2

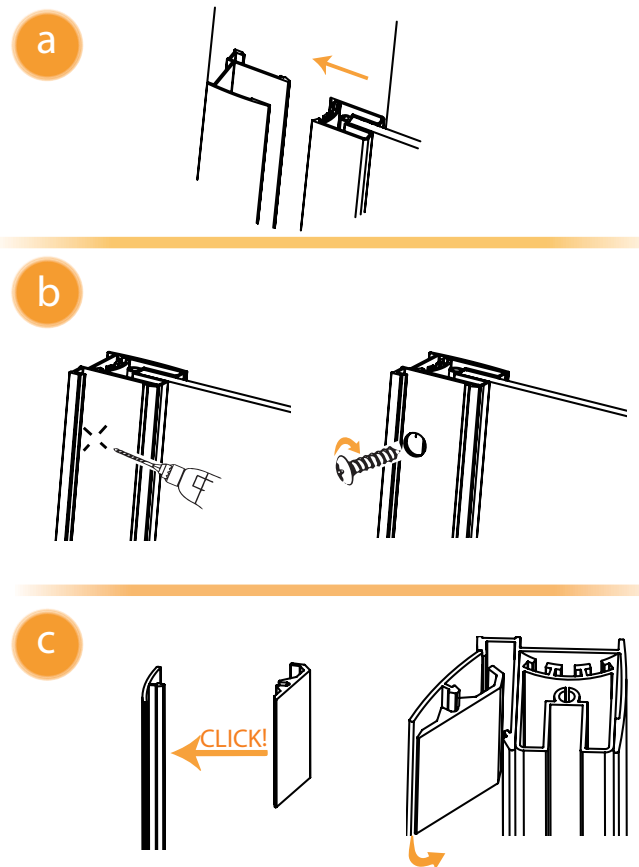
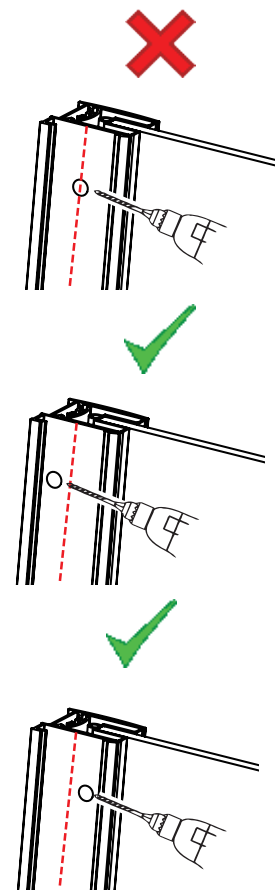
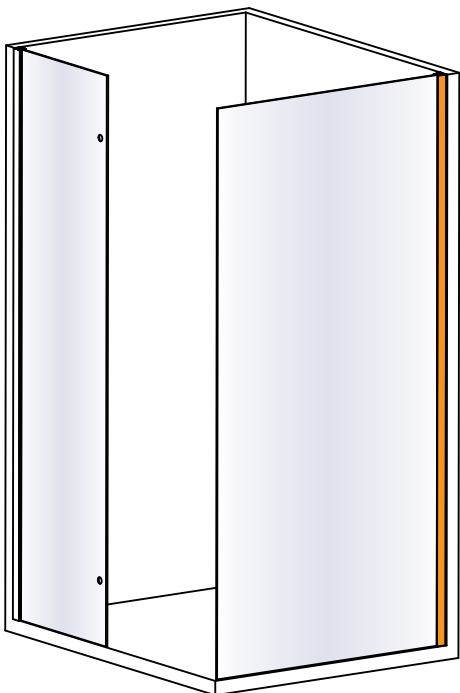
3

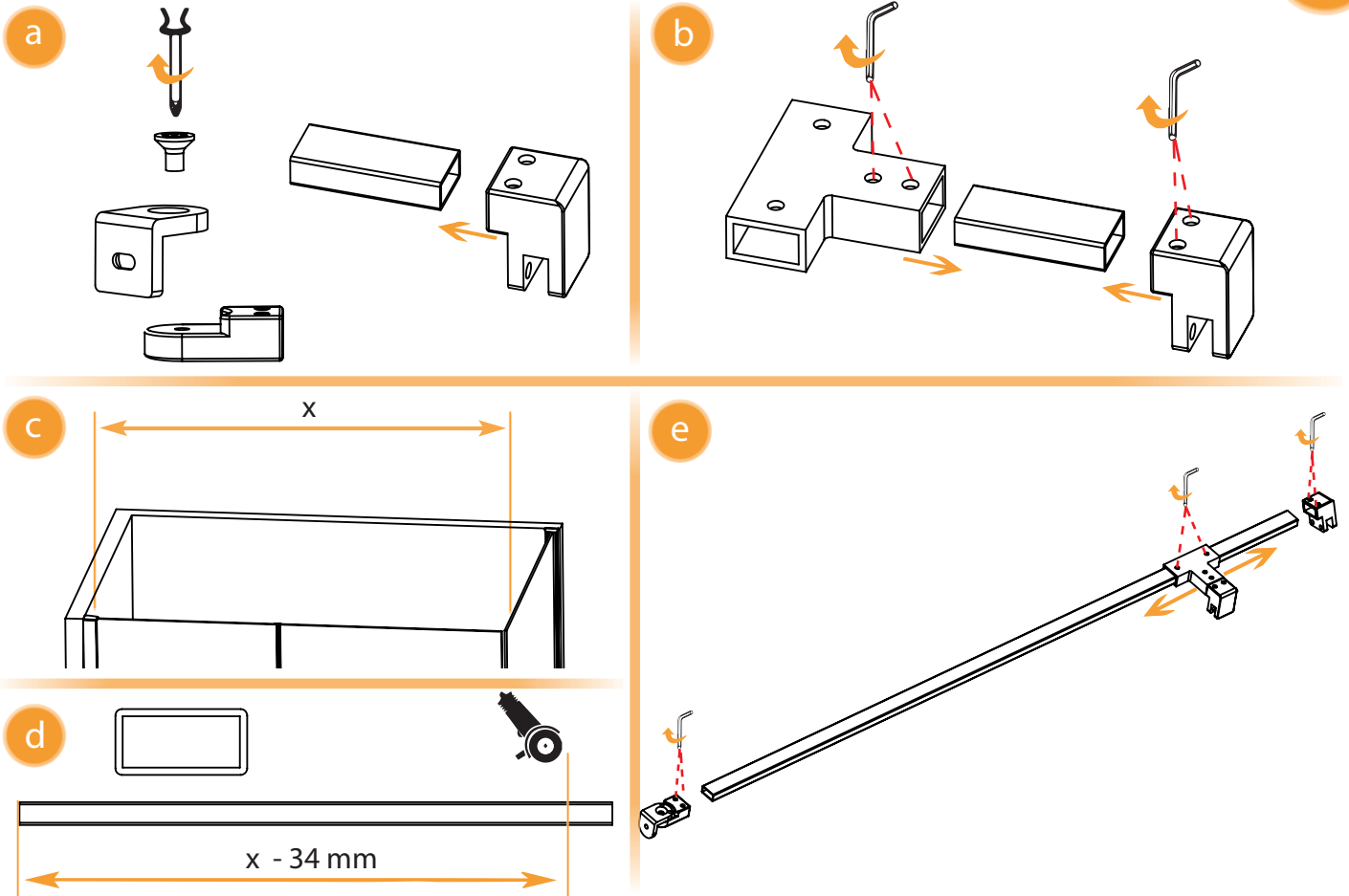
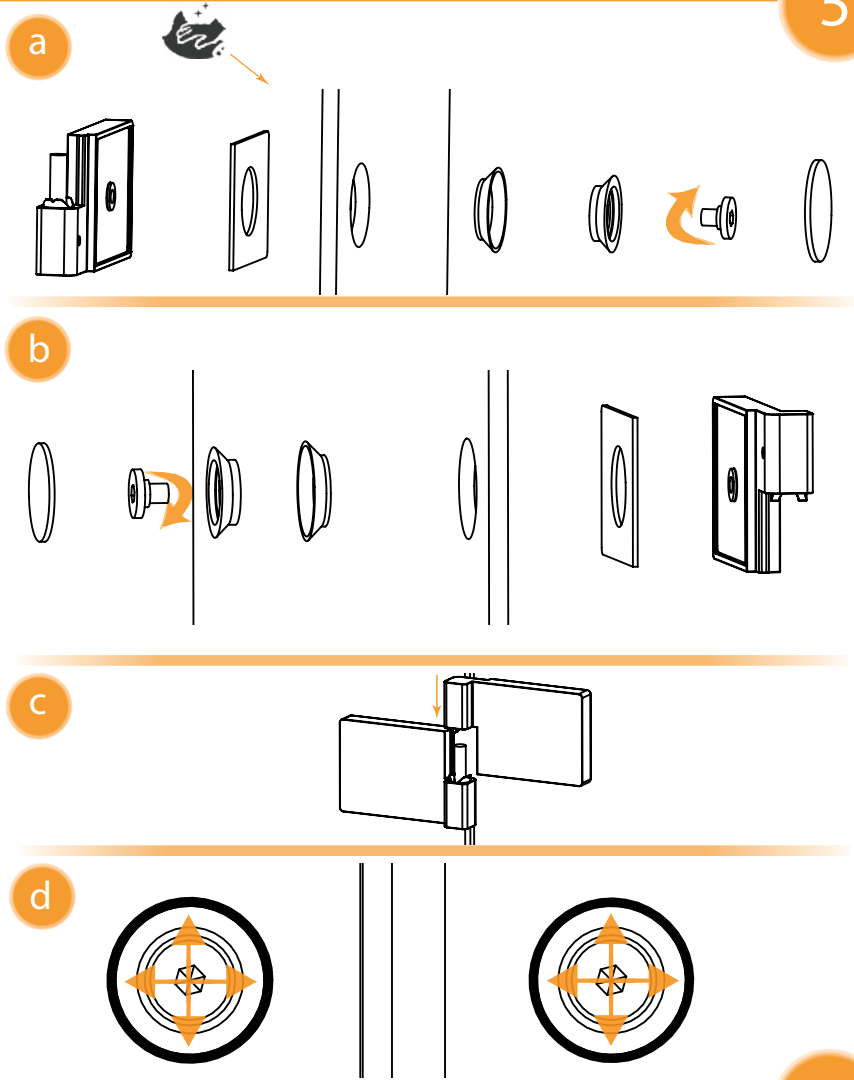
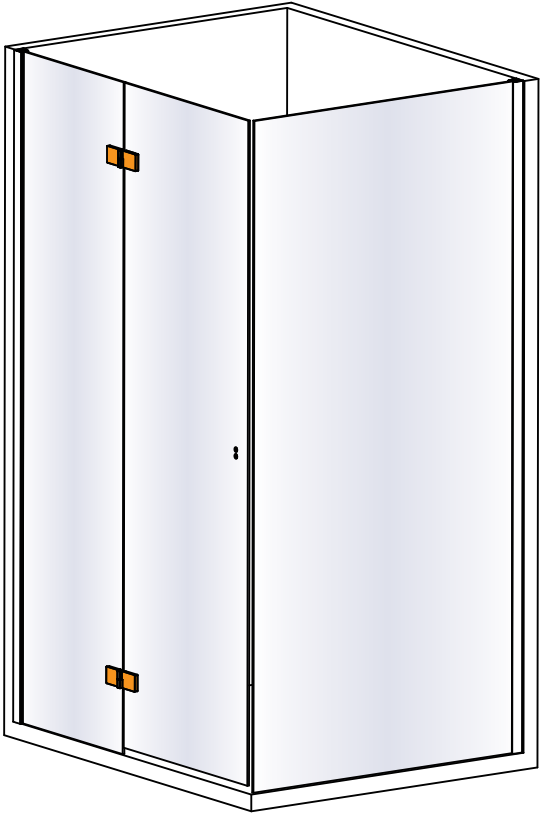
Active Shield  
INSIDE



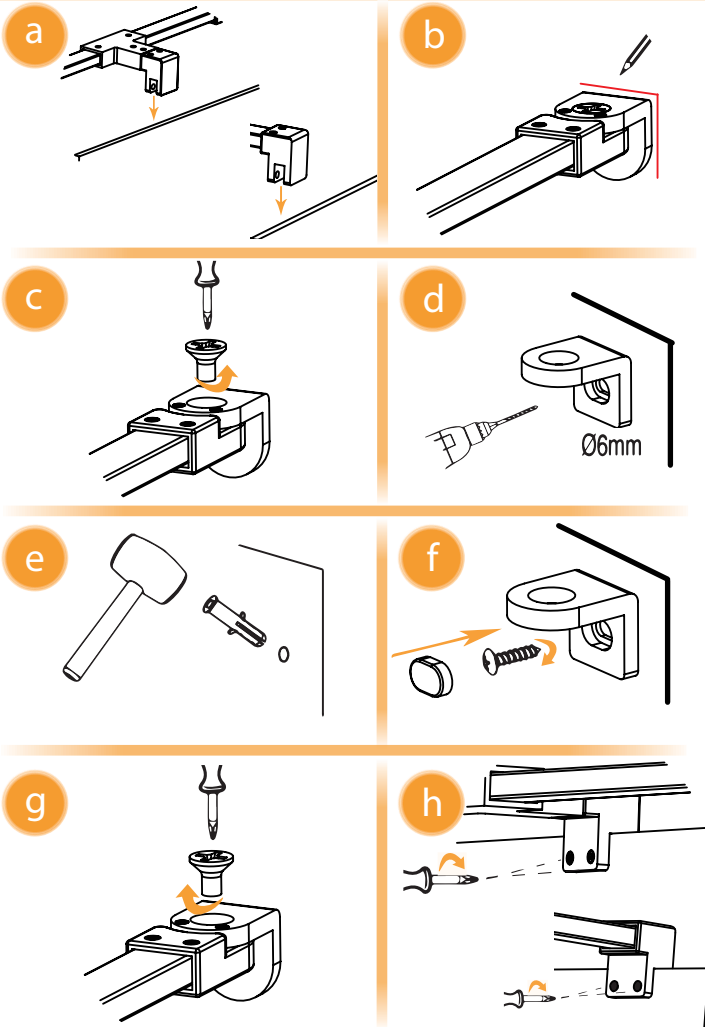
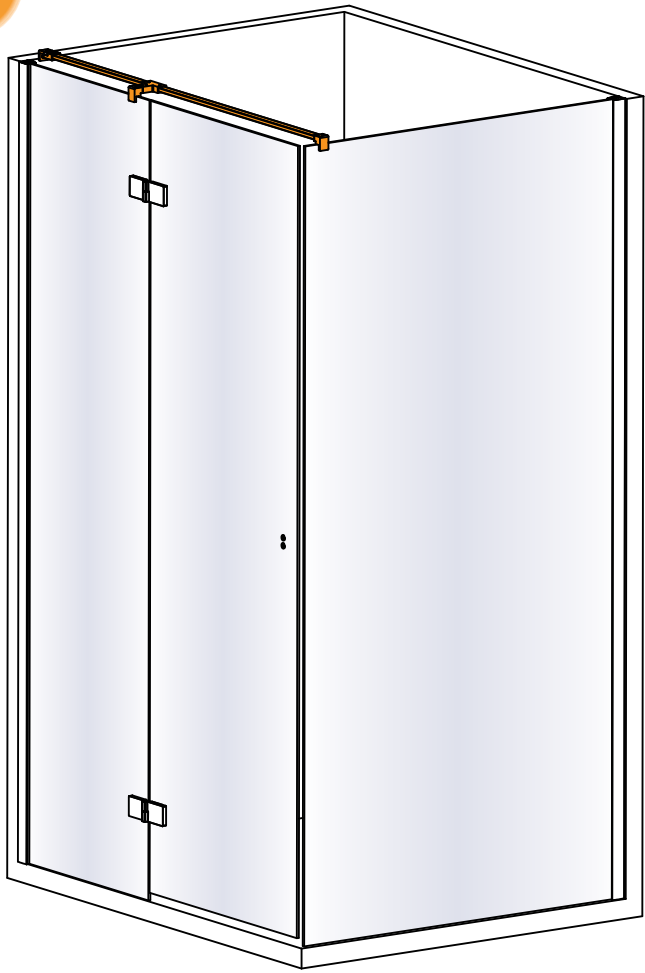
4

Active Shield  
INSIDE

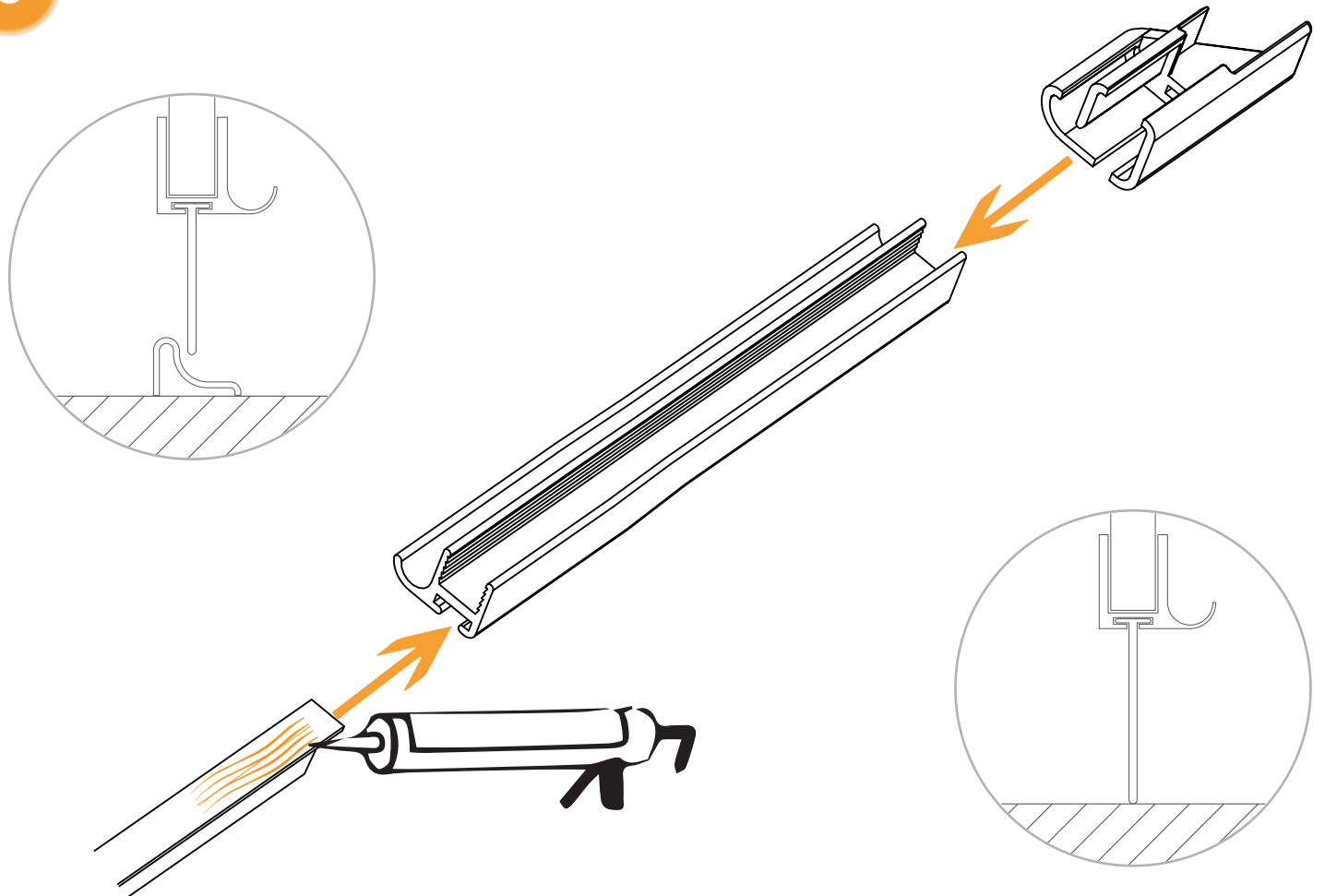


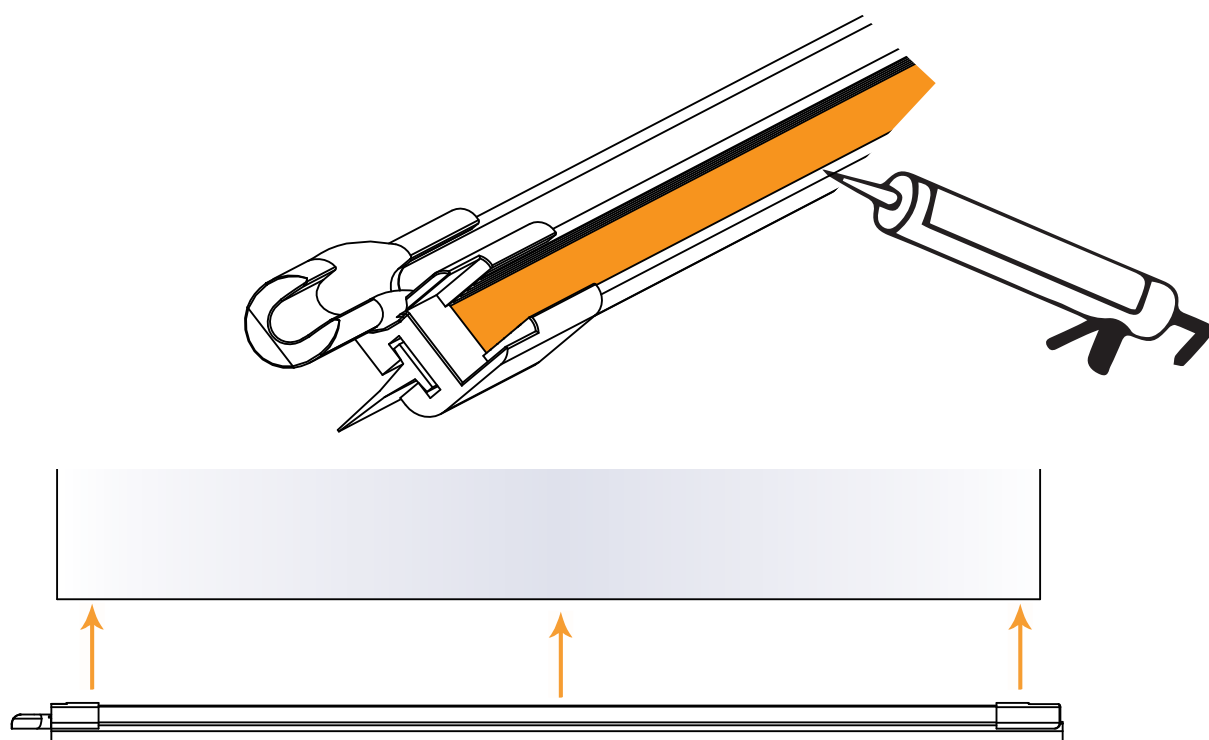
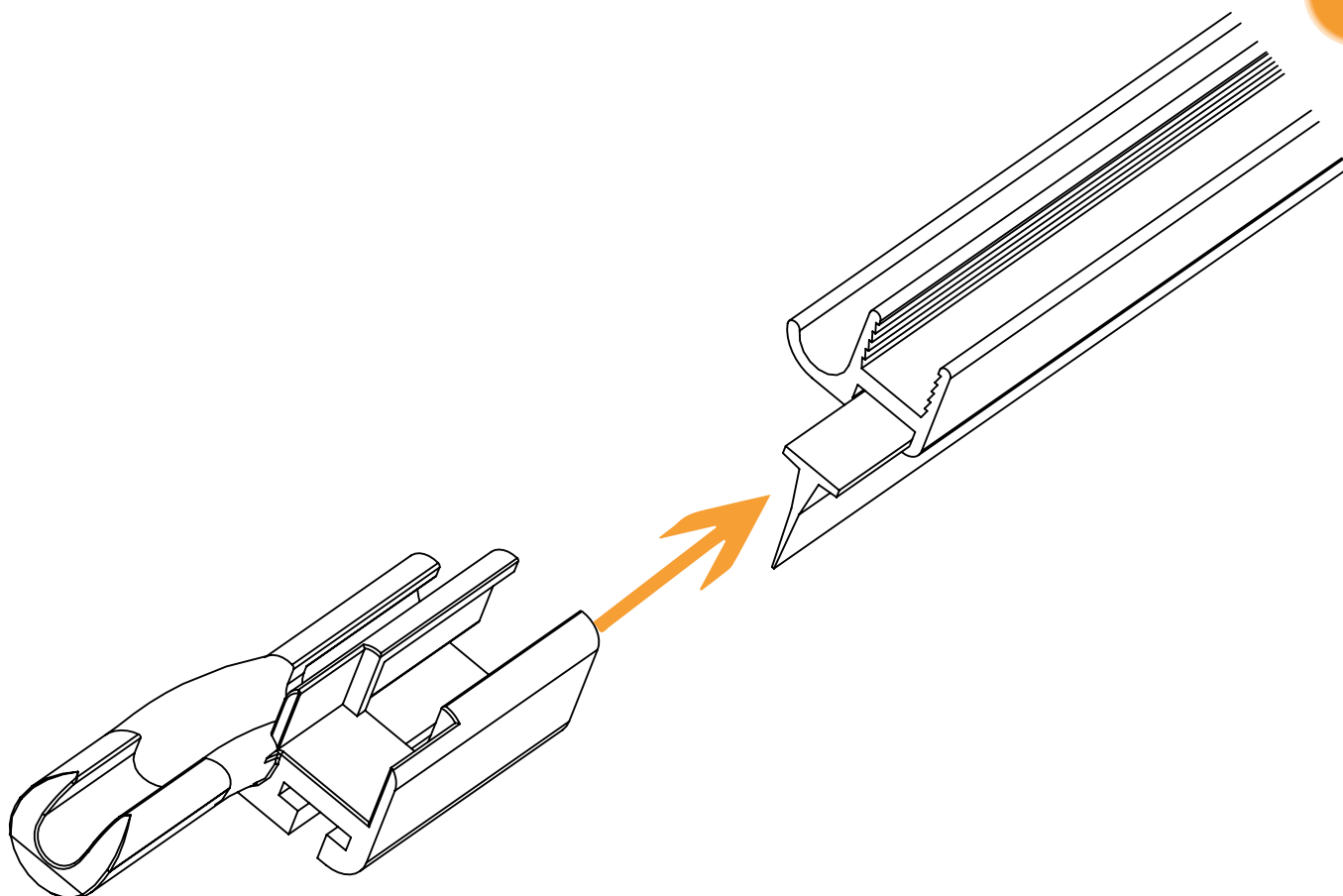


7

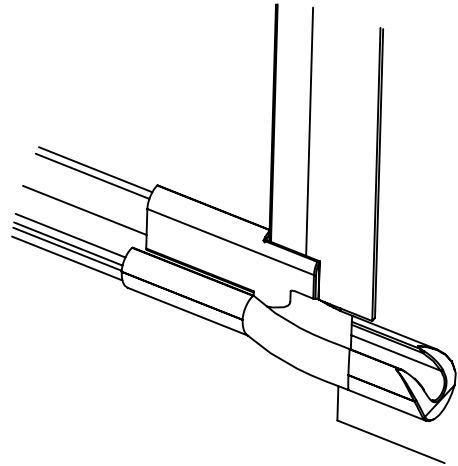
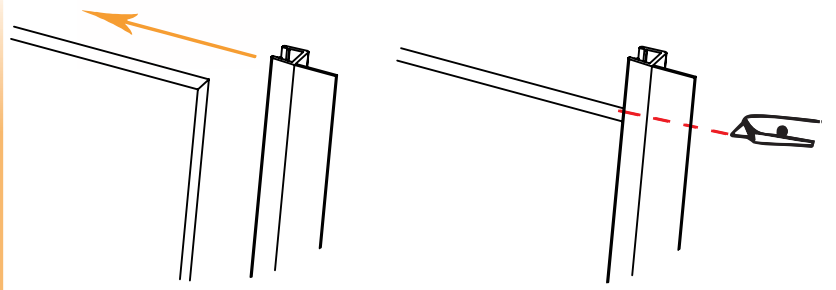
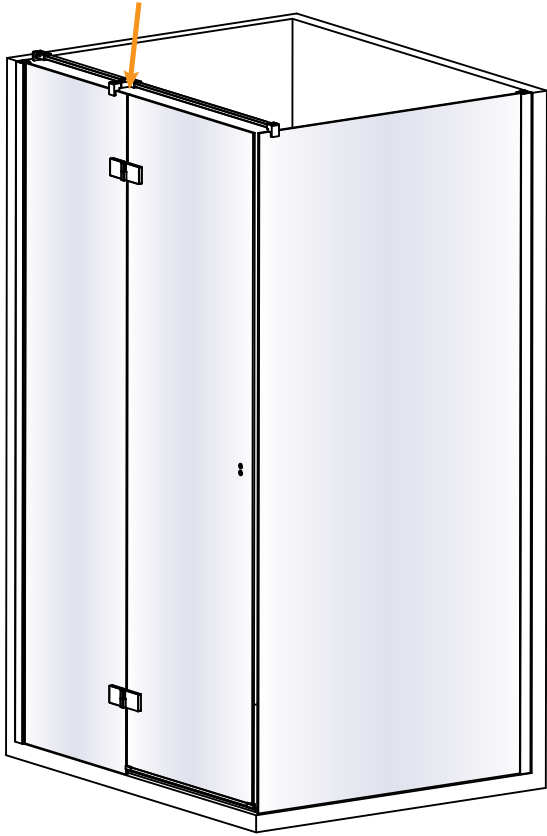


8

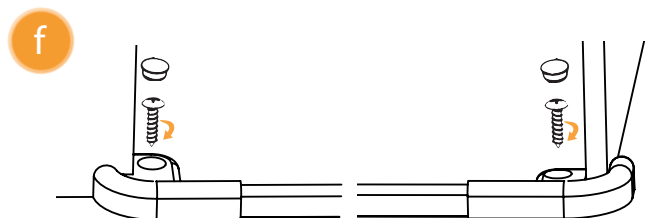
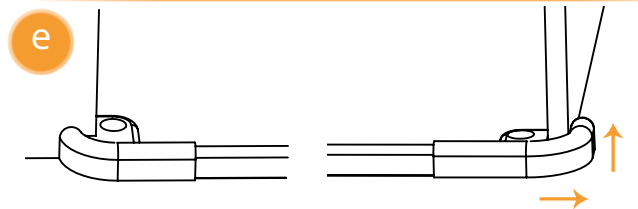
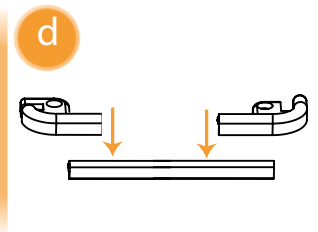
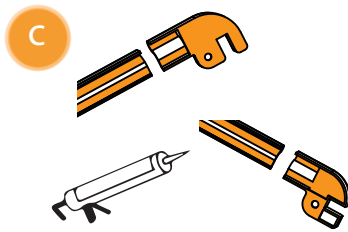
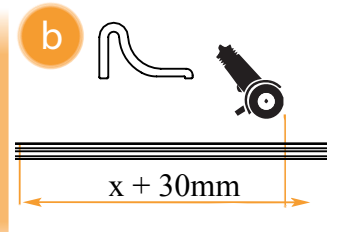
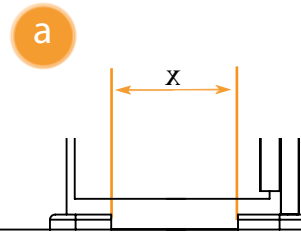
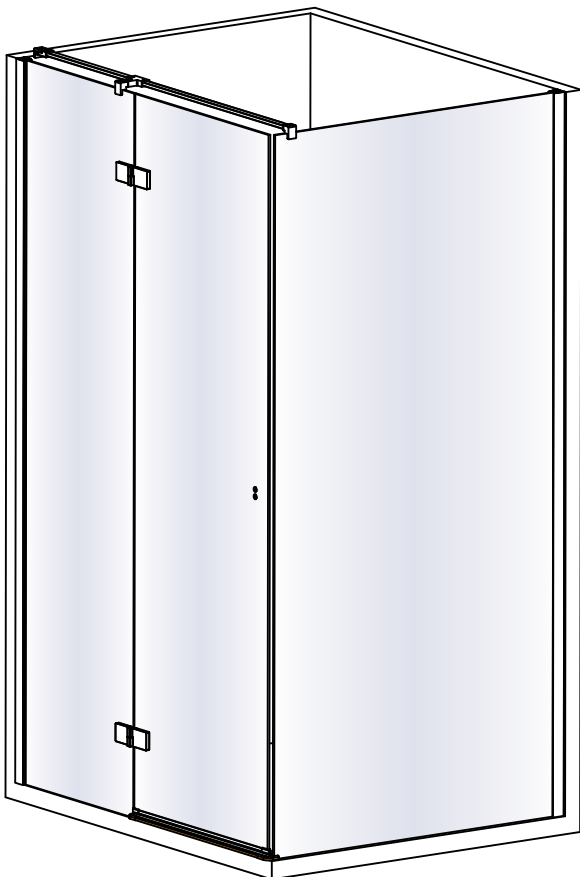


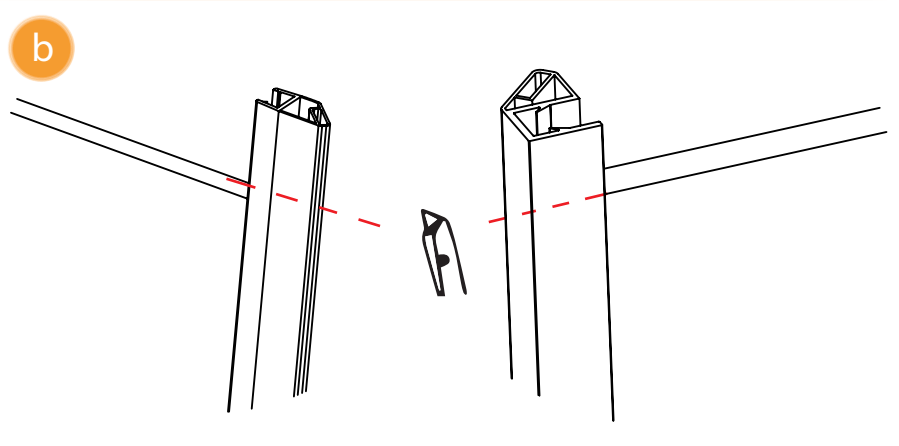
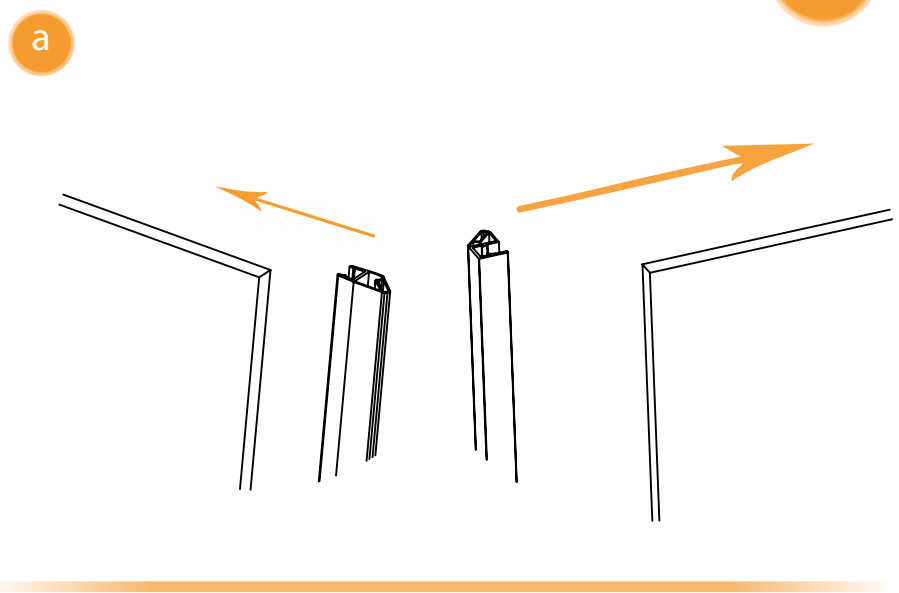
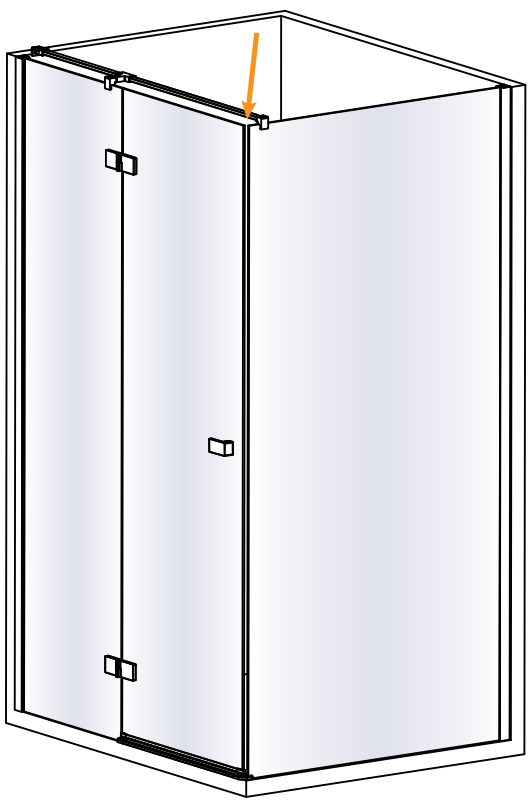
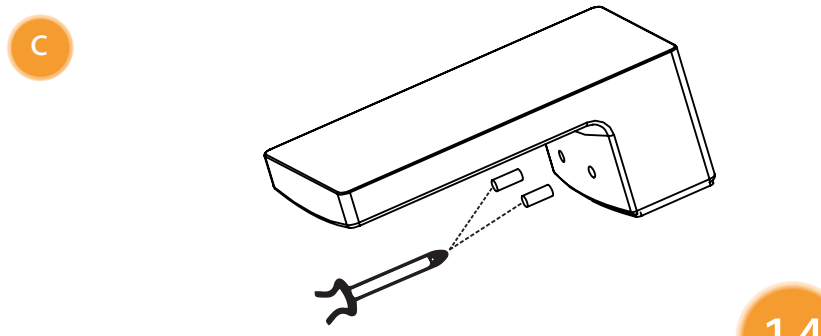
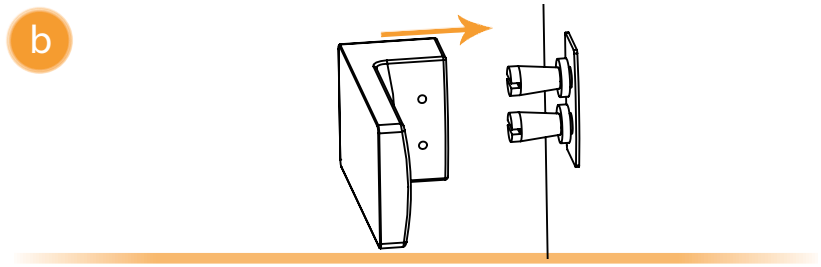
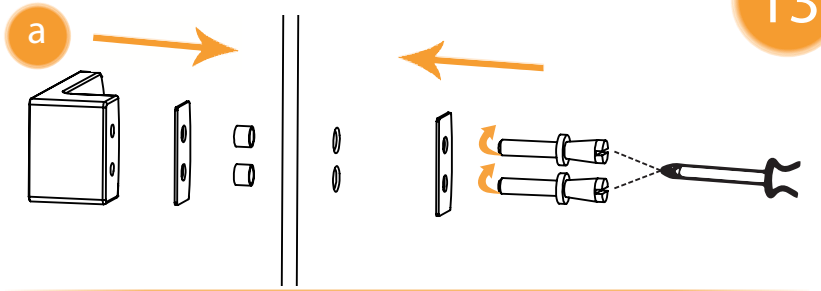
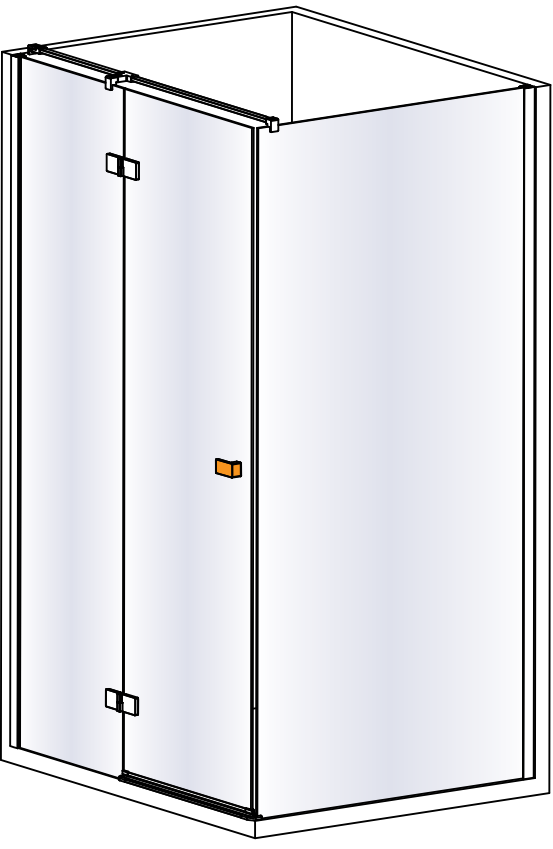


11

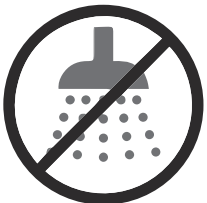


12









24H

