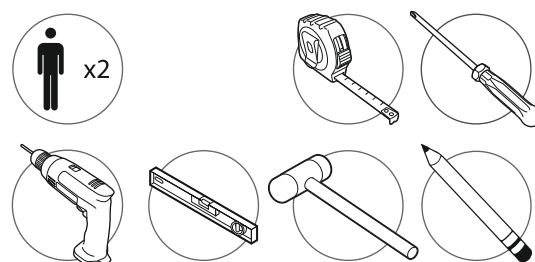
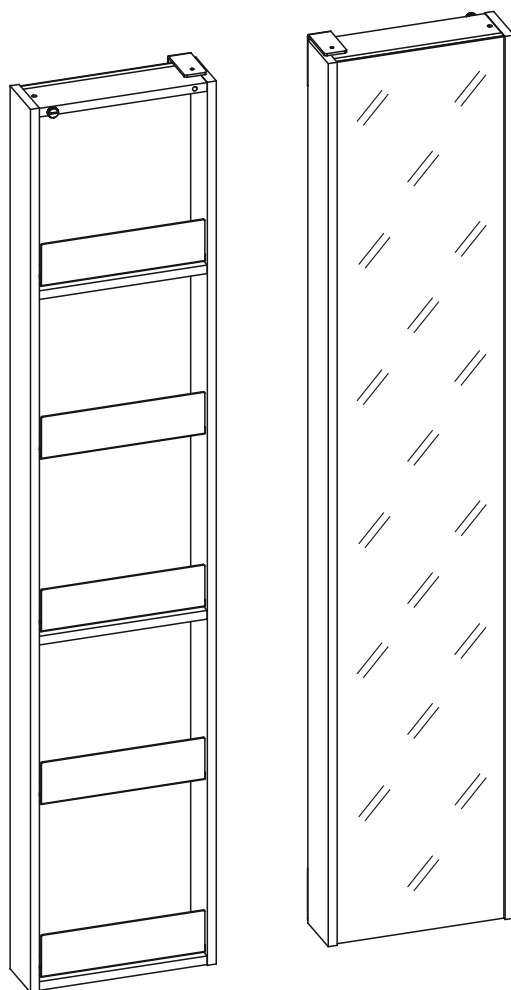










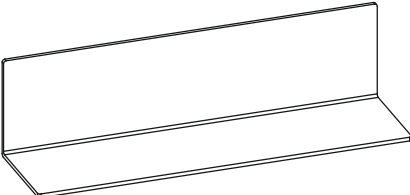
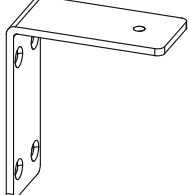

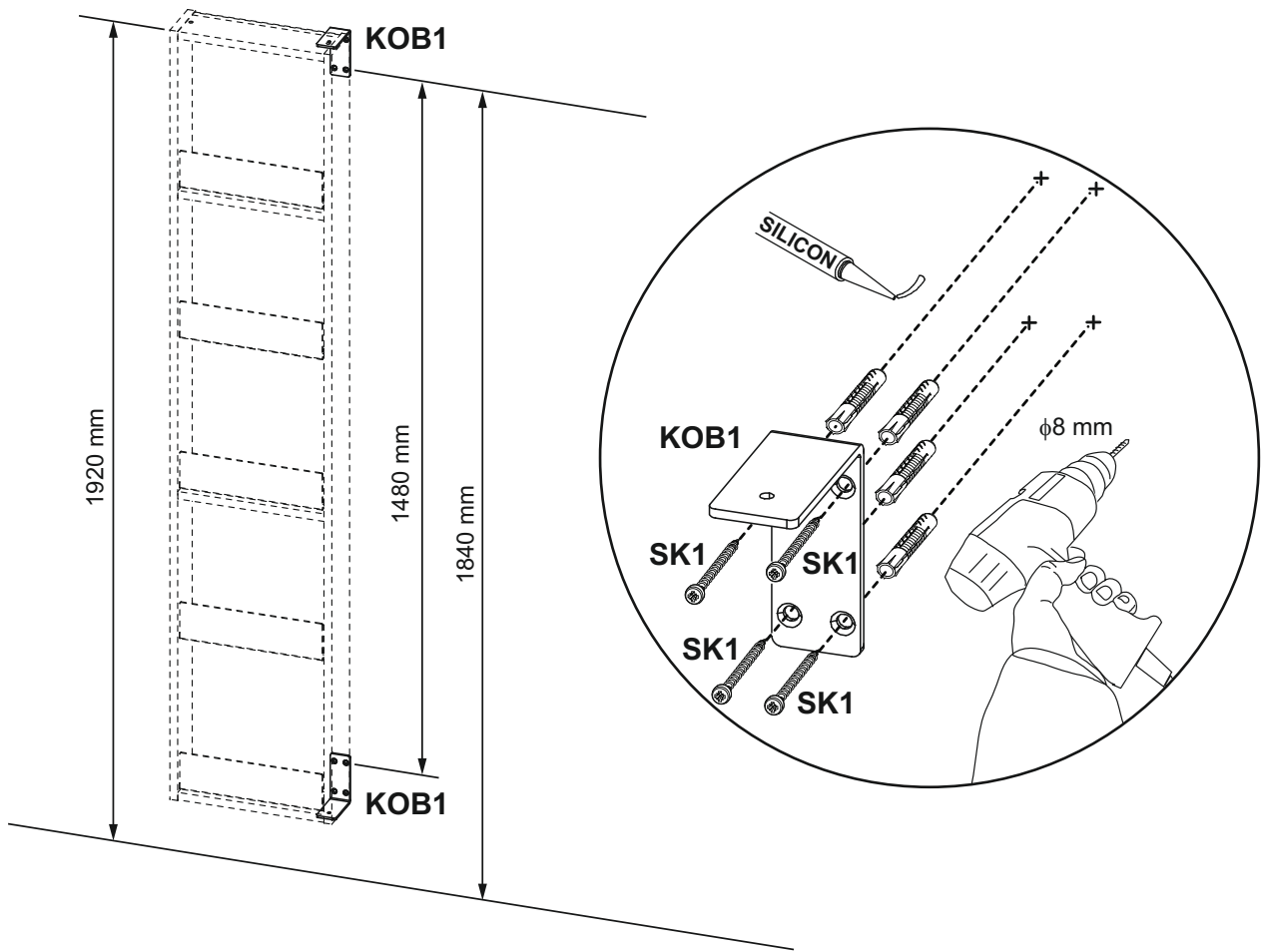


33 OBR

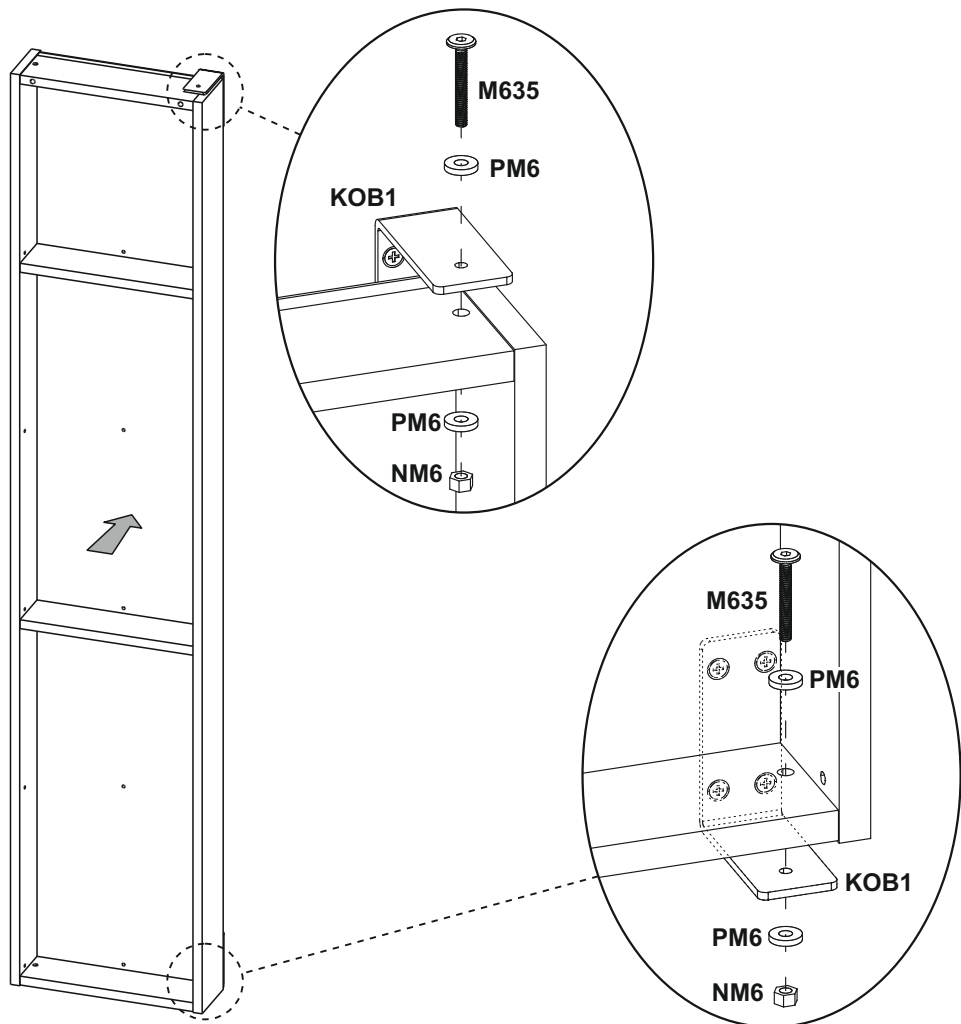


SR1  x 1	D4  x 15	P1  $\varnothing 8$ x 2	SK1  x 8	SK2  x 8	M635  M6 x 30 x 2	PM6  x 4	NM6  x 4	ZM6  x 2	
KM1  x 1		PP  x 5			KOB1  x 2				
KM2  x 1									

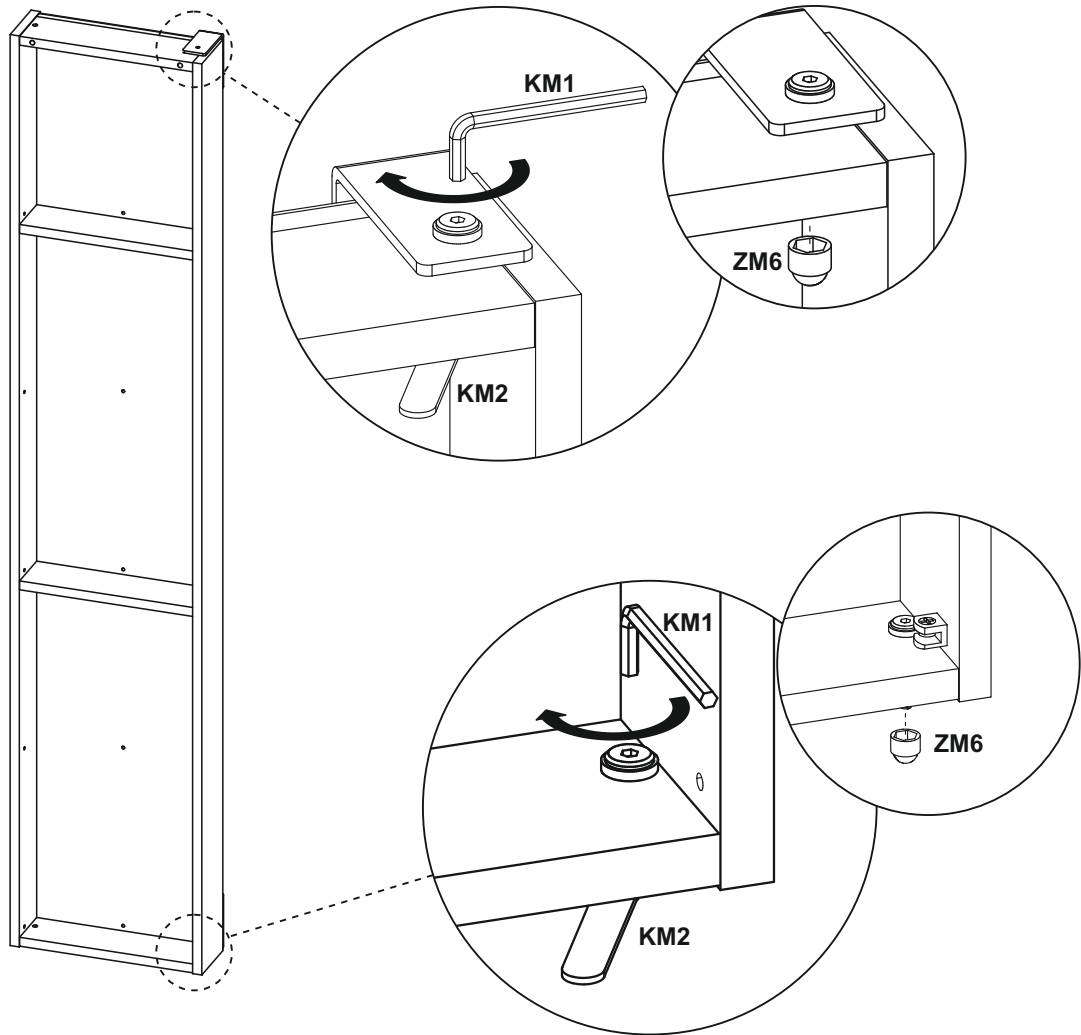
01.



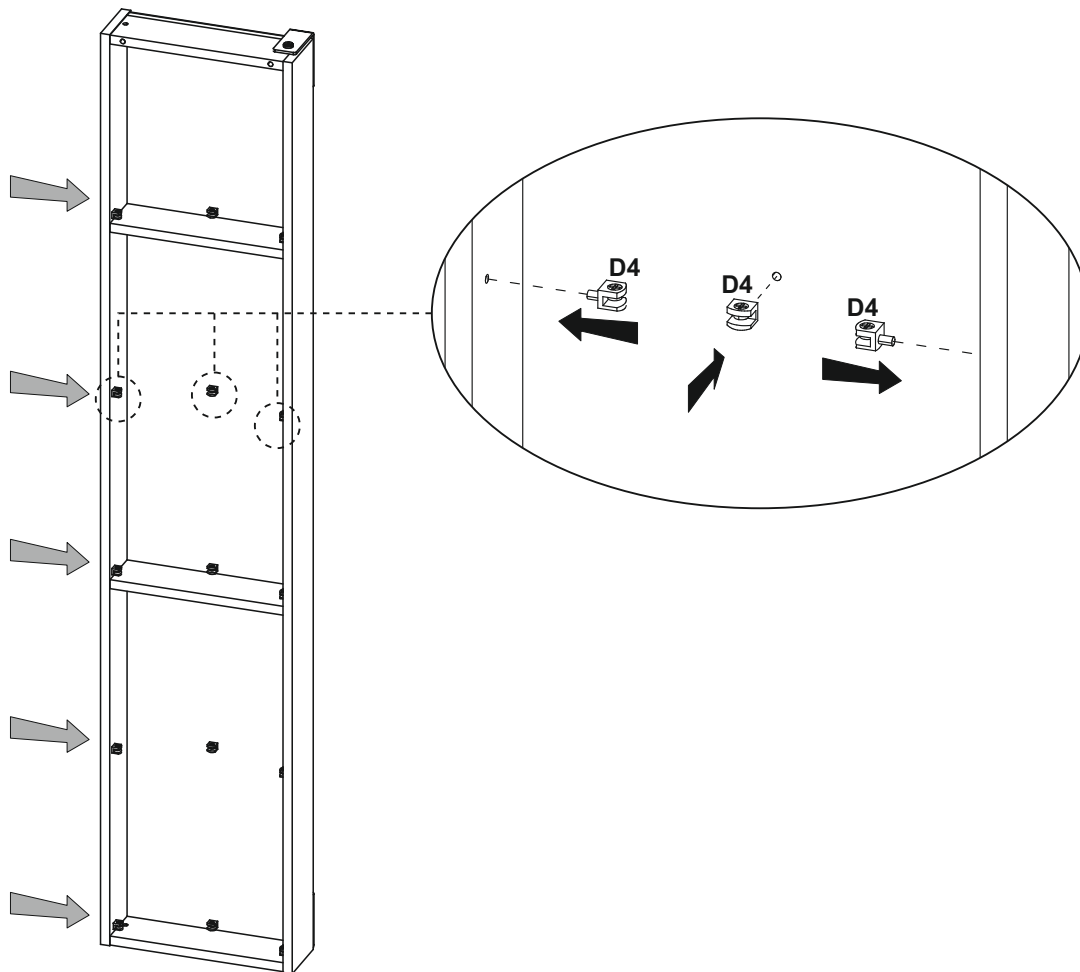
02.



03.



04.



05.

