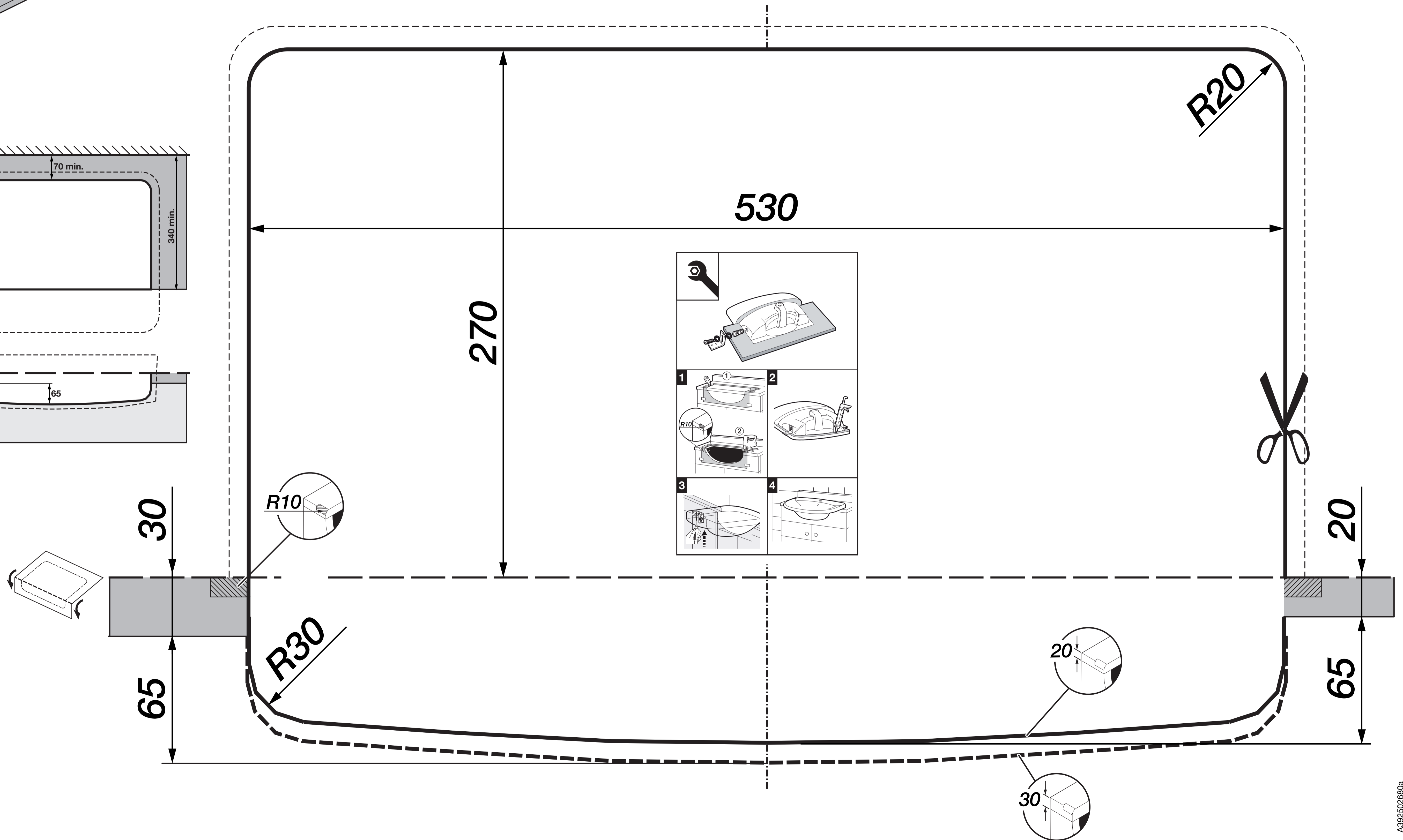
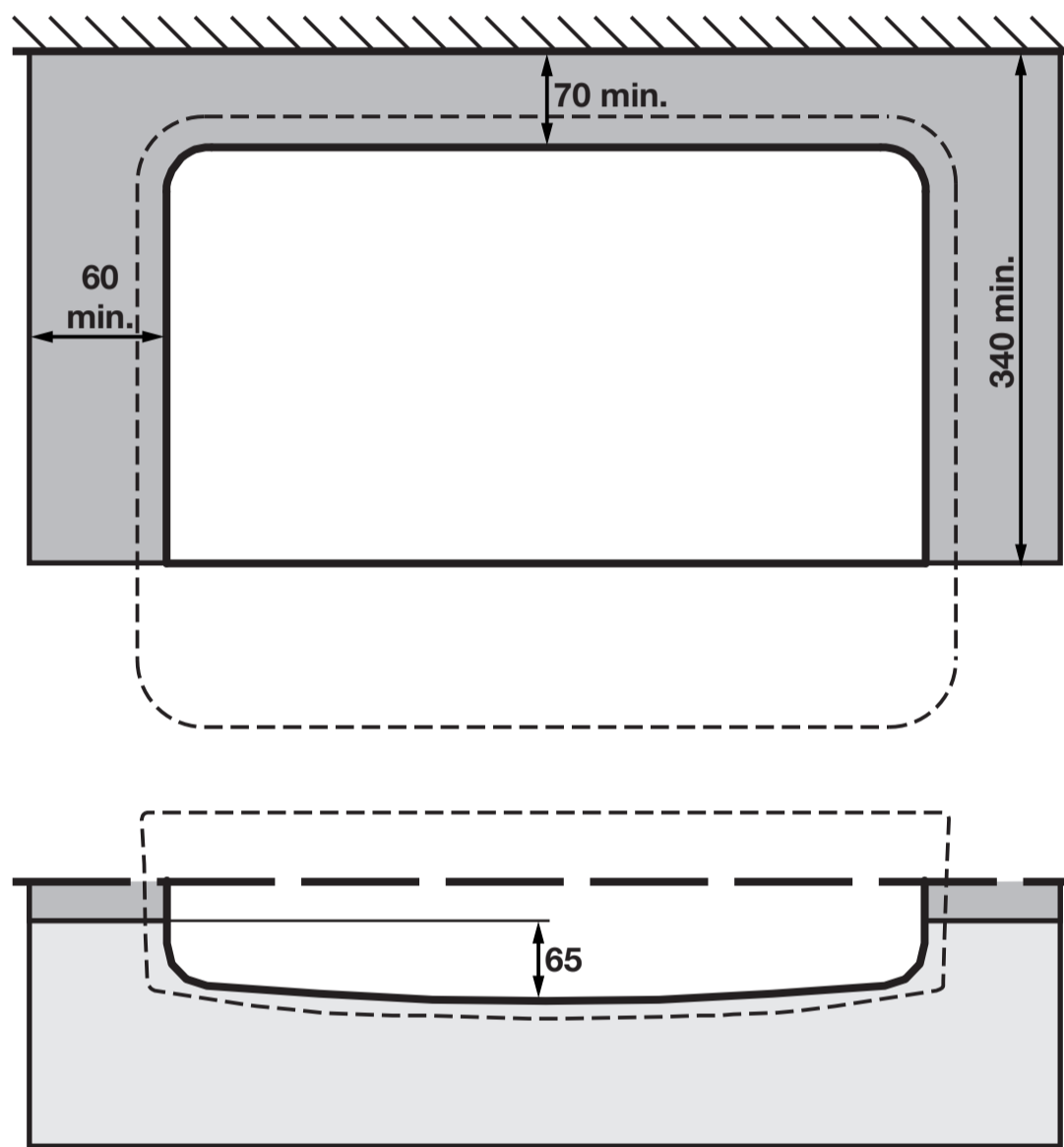
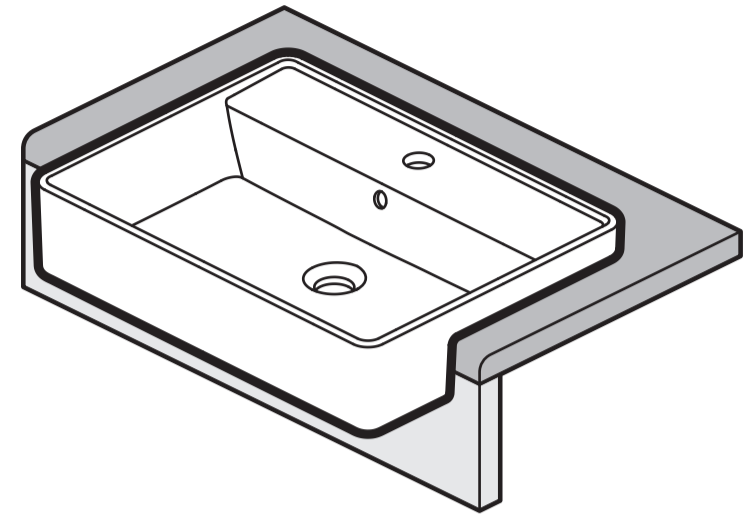


# The GAP

A3270YG



[mm]

A392502680a